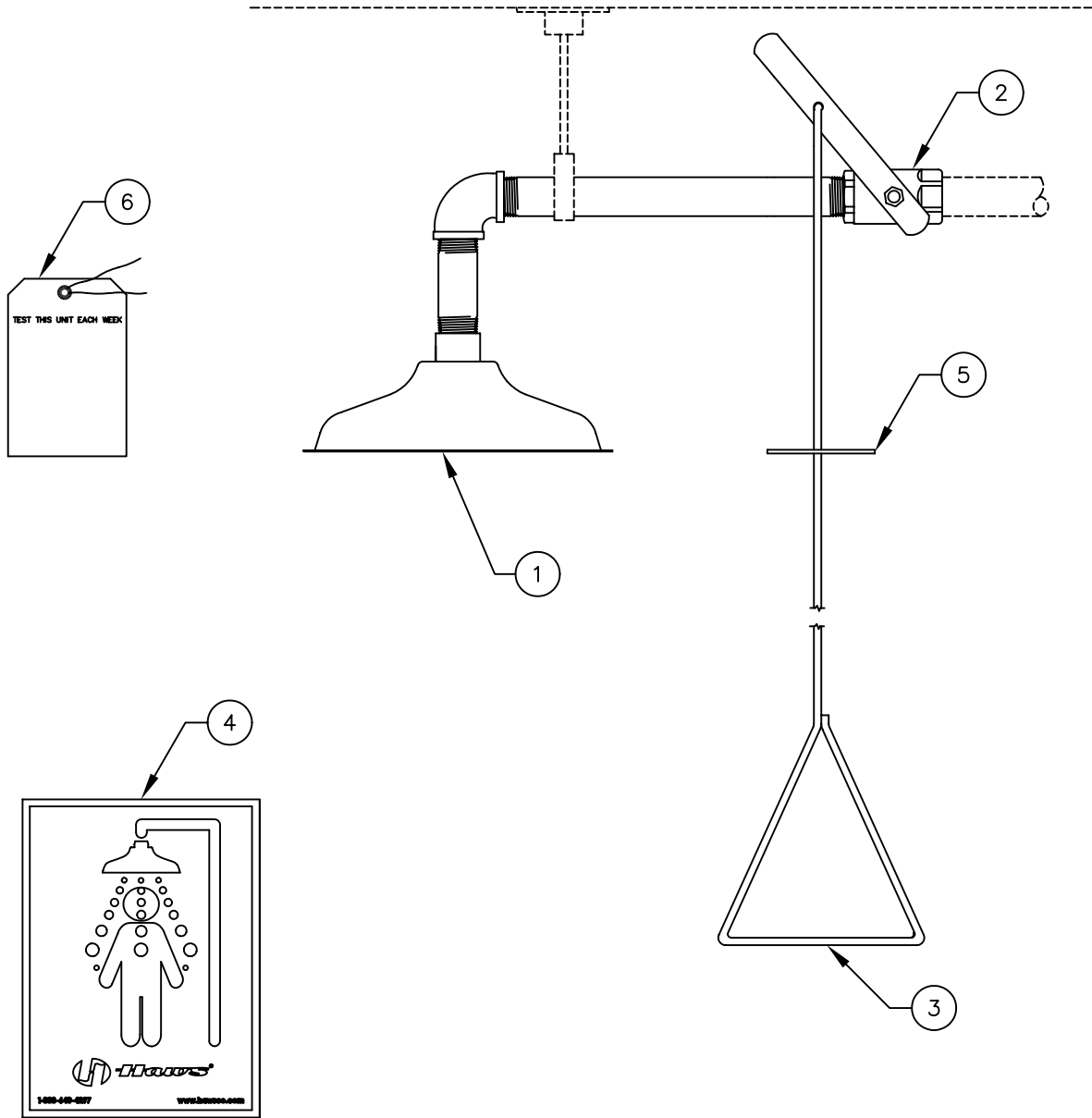



ITEM	DESCRIPTION
1	SP829HPS S.S. SHOWER HEAD
2	SP260 VALVE ASSEMBLY
3	SP202 PULL ROD
4	SP177 SHOWER SIGN
5	ESCUTCHEON PLATE
6	SP170 TEST TAG

PARTS BREAKDOWN



 Haws [®]		1455 KLEPPE LANE SPARKS, NEVADA 89431 (775) 359-4712 FAX (775) 359-7424 E-MAIL: HAWS@HAWSO.COM WEBSITE: WWW.HAWSO.COM	
		ECN NO: _____ ECN: 4351 REVISOR: IR	MODEL(S) 8169
DRAWN: CLF APPROVED: _____	DATE: 03/09/93 DATE: _____	CHKD.: _____ SHOWER	DRAWING NO.: 11484C00 REV. 10
SCALE: 1/3		DRAWING TYPE: PARTS BREAKDOWN	SIZE: A SHEET 1 OF 1

WHEN ORDERING PARTS PLEASE SPECIFY YOUR MODEL NUMBER