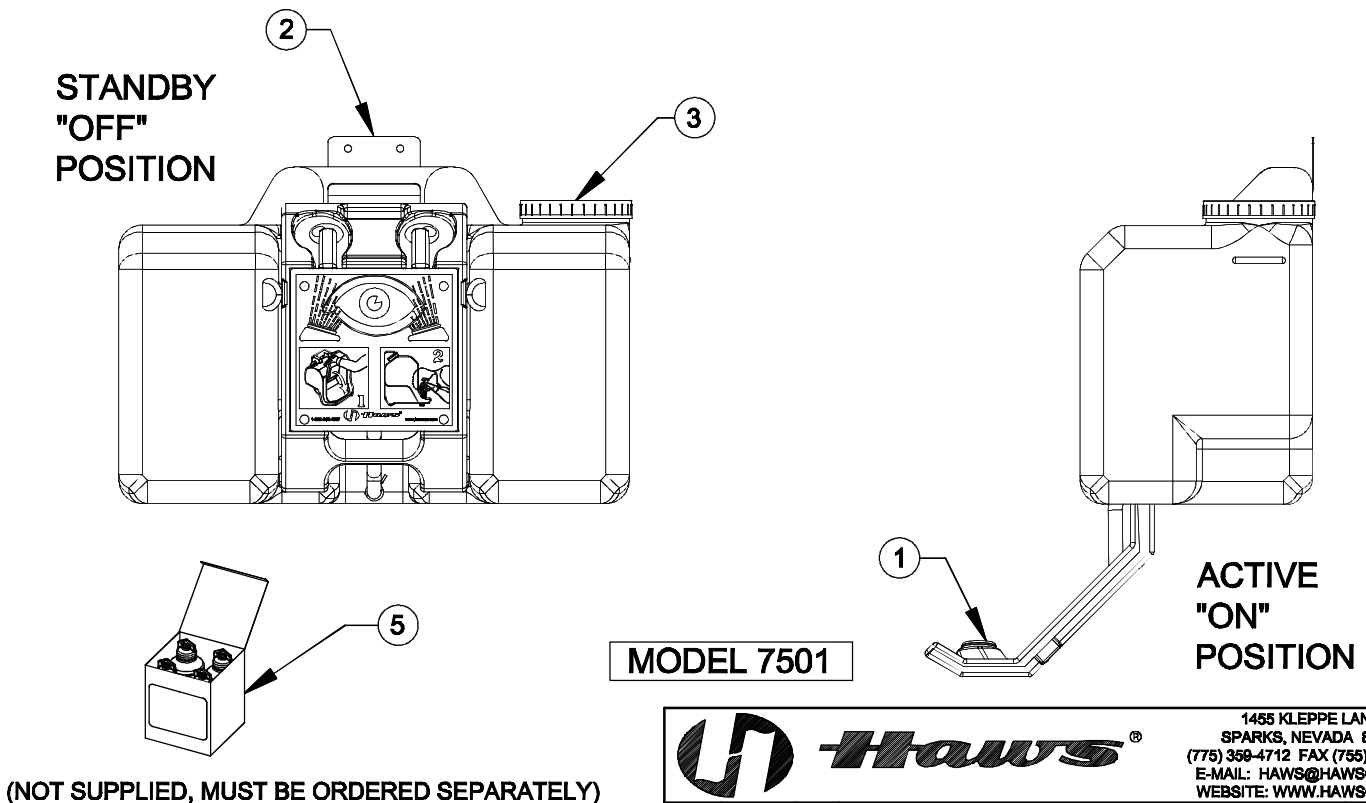
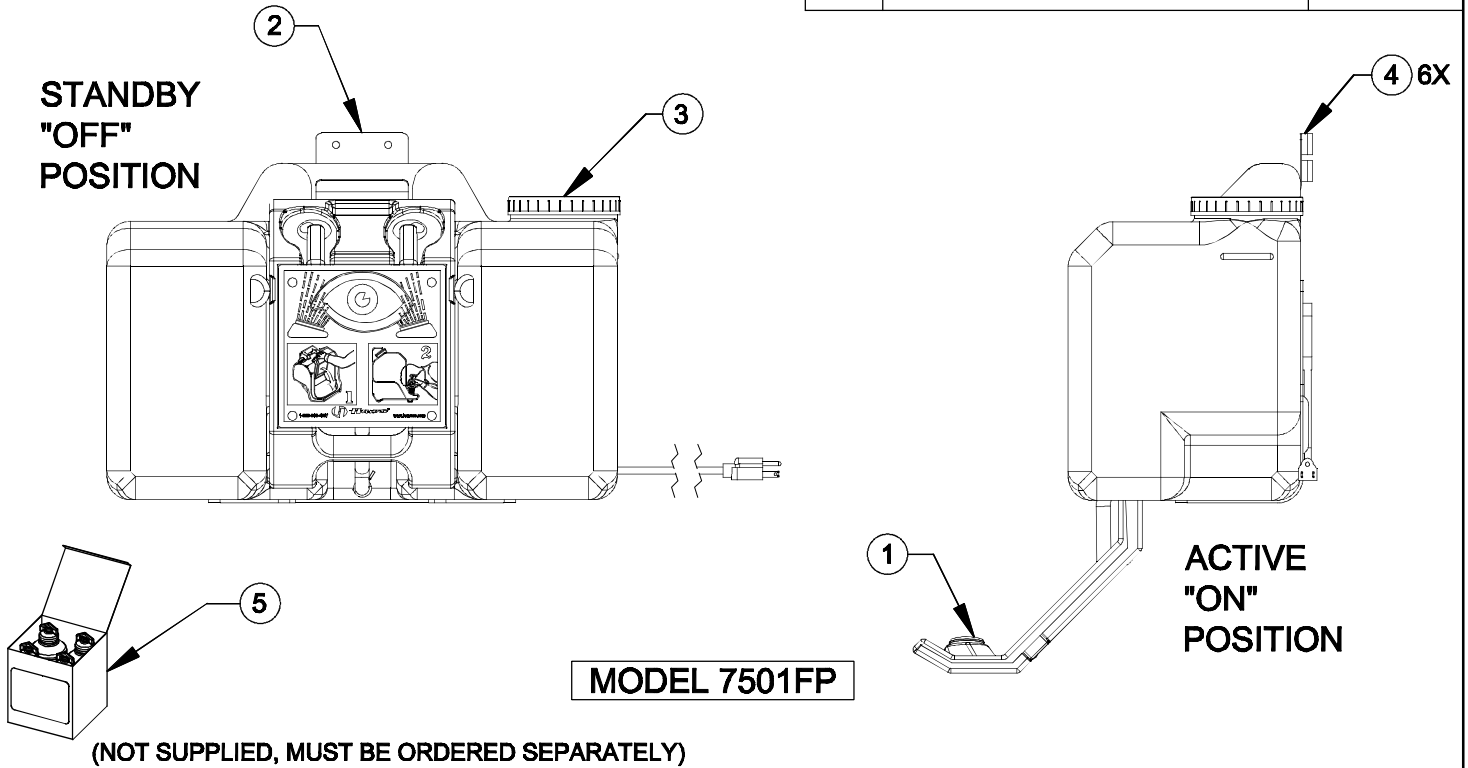


ITEM	DESCRIPTION	PART NO.
1	EYEWASH HEAD ASSY	SP19
2	BRACKET	0001217418
3	CAP	SP131
4	RUBBER SPACER	0005365001
5	STERILE ANTIMICROBIAL PRESERVATIVE	9082

PARTS BREAKDOWN



WHEN ORDERING PARTS PLEASE SPECIFY MODEL NUMBER.

		1455 KLEPPE LANE SPARKS, NEVADA 89431 (775) 358-4712 FAX (775) 358-7424 E-MAIL: HAWS@HAWS.CO.COM WEBSITE: WWW.HAWS.CO.COM	
		ECN NO. REVISED PER BY ECN: 4742 DATE HM RTM DATE CHKD APPROVED DATE	MODEL(S) 7501/7501FP PORTABLE EYEWASH
SCALE: 1:1 DRAWING TYPE: PARTS BREAKDOWN SIZE: A SHEET 1 OF 1			