

Installation

S19224 Series

Halo™ Wall-Mount Eyewash or
Eye/Face Wash

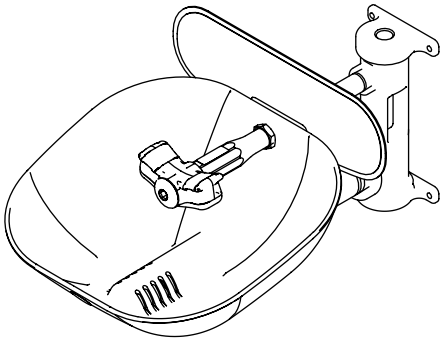


Table of Contents

Table of Contents	2
Pre-Installation Information	3-4
Halo Pre-Configured Models	5-6
Halo Configurator	7
Dimensions	8
Installation Instructions	9
Service Parts — Bowl and Hub	10-11
Service Parts — Eyewash, Eye/Face Wash and Bowl Covers	12-14
Service Parts — Drain and P-trap	15
Service Parts — Optional Accessories	16
Avant l'installation	17-18
Modèles préconfigurés Halo	19-20
Configuration du produit	21
Dimensions	22
Instructions d'installation	23
Pièces de remplacement — Récepteur et moyeu	24-25
Pièces de remplacement — Douche oculaire, Douche oculaire/ faciale et couvercle anti-poussières	26-28
Pièces de remplacement — Drain et Siphon en P	29
Pièces de remplacement — Accessoires en option	30
Información previa a la instalación	31-32
Modelos preconfigurados Halo	33-34
Configuración del producto	35
Dimensiones	36
Instrucciones de instalación	37
Piezas de repuesto — Receptor y buje	38-39
Piezas de repuesto — Lavajos, lavajos/rosto y cubierta contrapolvo	40-42
Piezas de repuesto — Drenaje y sifón en P	43
Piezas de repuesto — Accesorios opcionales	44

IMPORTANT

The installation and location of all safety drench showers, eye and eye/face washes must comply with the requirements of ANSI Z358.1.

Emergency equipment must be supplied with tepid water (60°F to 100°F/15.6°C to 37.8°C). Any prolonged exposure to near freezing water affects the body's ability to maintain body temperature, increasing the risk of hypothermia.

Before installing this product, ensure that there are adequate clearances around the product and activation of the product does not interfere with other products or obstructions.

Read this installation manual completely to ensure proper installation, then file it with the owner or maintenance department. Compliance and conformity to drain requirements and other local codes and ordinances is the responsibility of the installer.

Separate parts from packaging and make sure all parts are accounted for before discarding any packaging material.

Flush the water supply lines before beginning installation and after installation is complete. Test the unit for leaks and adequate water flow. Main water supply to the eyewash should be "ON" at all times. Provisions shall be made to prevent unauthorized shutoff.

The ANSI Z358.1 standard requires an uninterrupted supply of flushing fluid. Bradley plumbed emergency fixtures require a minimum of 30 PSI (0.21MPa) flowing pressure.

Self-closing spring-loaded valves are not UL classified to ANSI Z358.1.

Weekly activation must be conducted on all plumbed emergency equipment to ensure a suitable flushing fluid supply is present and any sediment build-up in the supply line is cleared. Emergency equipment should be inspected monthly to address any maintenance issues ensuring the equipment is in good operating condition and that there are no signs of wear.

Workers who may come in contact with potentially hazardous materials should be trained regarding the placement and proper operation of emergency equipment per ANSI Z358.1.

For questions regarding the operation or installation of this product, visit www.bradleycorp.com or call 800-BRADLEY (272.3539).

Product warranties and parts information may also be found under "Products" on our web site at bradleycorp.com.

NOTICE Avoid cleaners containing organic solvents, alcohols and hydrocarbons. Rinse with water after cleaning.

Supplies Required:

- (4) ¼" anchors and bolts
- Teflon tape and pipe sealant
- 30 PSI (2.0 bar) min/90 PSI (6.1 bar) max flow pressure
- 125 PSI (8.6 bar) max static pressure
- Piping to ½" NPT (BSPP) water supply inlet (30–90 psi [2.0-6.1 bar])
- Piping to 1¼" NPT drain outlet on unit (if included with unit)
- OPTIONAL: sign-mounting hardware
- DVGW certified teflon tape (for DVGW certified models only)



Local codes may require the installation of a backflow prevention valve to complete proper installation. Compliance with local codes is the responsibility of the installer. Valve must be tested annually to verify that it is functioning properly. Backflow prevention valves are not included with the fixture and may be supplied by the contractor or purchased from Bradley Corporation.

Halo Pre-Configured Models

Halo Model Number	Description	UL certified to ANSI/ISEA	Intertek certified to EN standards
Eyewashes			
<input type="checkbox"/> S19224EW	Halo Eyewash, plastic bowl	X	X
<input type="checkbox"/> S19224PT	Halo Eyewash, plastic bowl, p-trap	X	X
<input type="checkbox"/> S19224B	Halo Eyewash, stainless steel bowl	X	X
<input type="checkbox"/> S19224BPT	Halo Eyewash, stainless steel bowl, p-trap	X	X
Eyewashes with Dust Cover			
<input type="checkbox"/> S19224PDC	Halo Eyewash, plastic bowl w/ dust cover	X	X
<input type="checkbox"/> S19224DC	Halo Eyewash, stainless steel bowl & hinged dust cover	X	X
<input type="checkbox"/> S19224DCPT	Halo Eyewash, stainless steel bowl & hinged dust cover, p-trap	X	X
Eye-Face Washes			
<input type="checkbox"/> S19224FW	Halo Eye/face wash, plastic bowl	X	X
<input type="checkbox"/> S19224FWPT	Halo Eye/face wash, plastic bowl, p-trap	X	X
<input type="checkbox"/> S19224T	Halo Eye/face wash, stainless steel bowl	X	X
<input type="checkbox"/> S19224P	Halo Eye/face wash, stainless steel bowl w/ hose spray, tailpiece	X	X
<input type="checkbox"/> S19224TPT	Halo Eye/face wash, stainless steel bowl, p-trap	X	X
<input type="checkbox"/> S19224Y	Halo Eye/face wash, stainless steel bowl, hand/foot operated, tailpiece	X	X
Eye-Face Washes with Dust Covers			
<input type="checkbox"/> S19224PDCFW	Halo Eye/face wash, plastic bowl w/ dust cover	X	X
<input type="checkbox"/> S19224DCFW	Halo Eye/face wash, stainless steel bowl & hinged dust cover	X	X
<input type="checkbox"/> S19224DCRPT	Halo Eye/face wash, stainless steel bowl & hinged dust cover, p-trap	X	X
All Stainless Steel Eye/Face Wash			
<input type="checkbox"/> S19224SC	Halo stainless steel eye/face wash, bowl and cover	X	X
<input type="checkbox"/> S19224SS	Halo stainless steel eye/face wash and bowl	X	X

Models with BSPP threading available. For BSPP threading, add a Z to end of existing part number. For example, S19224EW will be S19224EWZ.

Halo Pre-Configured Models

All models with AS4775 & AS/NZS 4020 Certification include stainless steel pipe material with BSPP threading.

Halo Model Number	Description	IAPMO Oceana certified to AS4775 & AS4020
Eyewashes		
<input type="checkbox"/> S19224EWZS	Halo Eyewash, plastic bowl	X
<input type="checkbox"/> S19224PTZS	Halo Eyewash, plastic bowl, p-trap	
<input type="checkbox"/> S19224BZS	Halo Eyewash, stainless steel bowl	X
<input type="checkbox"/> S19224BPTZS	Halo Eyewash, stainless steel bowl, p-trap	
Eyewashes with Dust Cover		
<input type="checkbox"/> S19224PDCZS	Halo Eyewash, plastic bowl w/ dust cover	X
<input type="checkbox"/> S19224DCZS	Halo Eyewash, stainless steel bowl & hinged dust cover	X
<input type="checkbox"/> S19224DCPTZS	Halo Eyewash, stainless steel bowl & hinged dust cover, p-trap	
Eye-Face Washes		
<input type="checkbox"/> S19224FWZS	Halo Eye/face wash, plastic bowl	X
<input type="checkbox"/> S19224FWPTZS	Halo Eye/face wash, plastic bowl, p-trap	
<input type="checkbox"/> S19224TZS	Halo Eye/face wash, stainless steel bowl	X
<input type="checkbox"/> S19224TPTZS	Halo Eye/face wash, stainless steel bowl, p-trap	
<input type="checkbox"/> S19224YZS	Halo Eye/face wash, stainless steel bowl, hand/foot operated, tailpiece	X
Eye-Face Washes with Dust Covers		
<input type="checkbox"/> S19224PDCFWSZ	Halo Eye/face wash, plastic bowl w/ dust cover	X
<input type="checkbox"/> S19224DCFWSZ	Halo Eye/face wash, stainless steel bowl & hinged dust cover	X
<input type="checkbox"/> S19224DCRPTZS	Halo Eye/face wash, stainless steel bowl & hinged dust cover, p-trap	
All Stainless Steel Eye/Face Wash		
<input type="checkbox"/> S19224SCZ	Halo stainless steel eye/face wash, bowl and cover	X
<input type="checkbox"/> S19224SSZ	Halo stainless steel eye/face wash and bowl	X

Halo Configurator

Standard Selections (Must select one from each category)

Configuration	
<input type="checkbox"/> 0	Standard Wall Mount
Pipe Material	
<input type="checkbox"/> A	NPT, Yellow BradTect Galvanized Steel
<input type="checkbox"/> B	NPT, All 304 Stainless Steel
<input type="checkbox"/> C	NPT, All 316 Stainless Steel
<input type="checkbox"/> D	NPT, Chrome-Plated
<input type="checkbox"/> F	BSPP, Yellow BradTect Galvanized Steel ‡
<input type="checkbox"/> G	BSPP, All 304 Stainless Steel ‡
<input type="checkbox"/> J	BSPP, Chrome-Plated ‡
Ball Valve	
<input type="checkbox"/> 1	Stay-Open Eyewash, Chrome-Plated brass
<input type="checkbox"/> 2	Stay-Open Eyewash, 316 SS
Eyewash – Eye/Face Wash	
<input type="checkbox"/> A	Halo Eyewash
<input type="checkbox"/> B	Halo Eye/Face Wash
<input type="checkbox"/> D	Halo Eyewash, 304 SS Yoke
<input type="checkbox"/> E	Halo Eye/Face Wash, 304 SS Yoke
<input type="checkbox"/> F	304 SS Halo Eye/Face Wash, 304 SS Yoke
<input type="checkbox"/> G	Halo Eyewash, 316 SS Yoke
<input type="checkbox"/> H	Halo Eye/Face Wash, 316 SS Yoke
<input type="checkbox"/> J	316 SS Halo Eye/Face Wash, 316 SS Yoke
Bowl and Dust Cover	
<input type="checkbox"/> A	Plastic Bowl, No Dust Cover
<input type="checkbox"/> B	Plastic Bowl, Plastic Dust Cover
<input type="checkbox"/> D	304 SS, No Dust Cover
<input type="checkbox"/> E	304 SS, 304 SS Dust Cover
<input type="checkbox"/> F	304 SS, Plastic Dust Cover
<input type="checkbox"/> G	316 SS, No Dust Cover
<input type="checkbox"/> H	316 SS, 316 SS Dust Cover
<input type="checkbox"/> J	316 SS, Plastic Dust Cover
<input type="checkbox"/> 0	No Bowl or Dust Cover

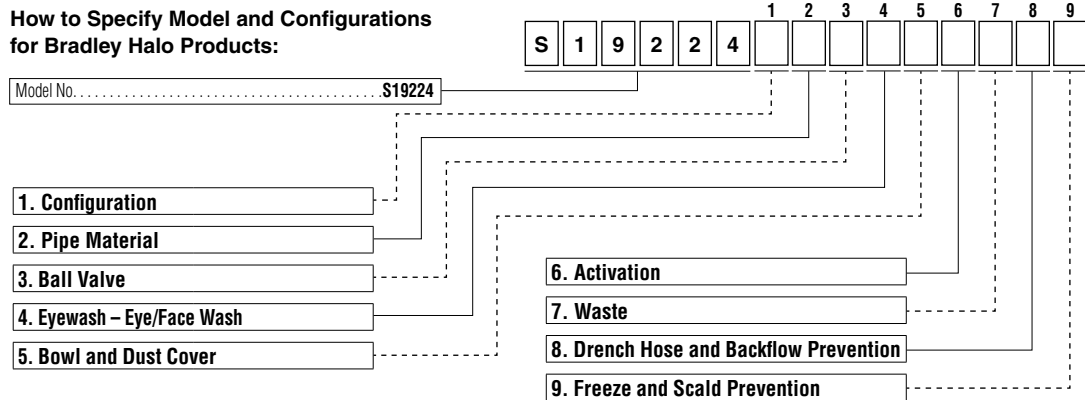
Activation	
<input type="checkbox"/> A	304 SS Handle
<input type="checkbox"/> B	316 SS Handle
<input type="checkbox"/> D	304 SS Handle with Stainless Steel Foot Pedal*
Waste	
<input type="checkbox"/> A	Tailpiece
<input type="checkbox"/> D	P-trap
<input type="checkbox"/> 0	No Waste
Drench Hose and Backflow Prevention	
<input type="checkbox"/> A	Drench Hose Kit with Vacuum Breaker
<input type="checkbox"/> B	Drench Hose Kit with N9 Backflow Preventer
<input type="checkbox"/> C	Drench Hose Kit with 9D Backflow Preventer
<input type="checkbox"/> D	Drench Hose Kit without Backflow Preventer
<input type="checkbox"/> 0	No Drench Hose and No Backflow Prevention
Freeze and Scald Protection	
<input type="checkbox"/> N	Anti-Freeze Valve
<input type="checkbox"/> P	Anti-Scald Valve
<input type="checkbox"/> R	Anti-Freeze and Anti-Scald Valves
<input type="checkbox"/> 0	No Anti-Freeze Valve and No Anti-Scald Valve

* Not available with barrier-free configurations.

‡ Not available in the U.S.

- NPT = National Pipe Thread**
- BSPP = British Standard Pipe Parallel Thread**
- All selections made through the configurator are only UL certified to ANSI Z358.1**

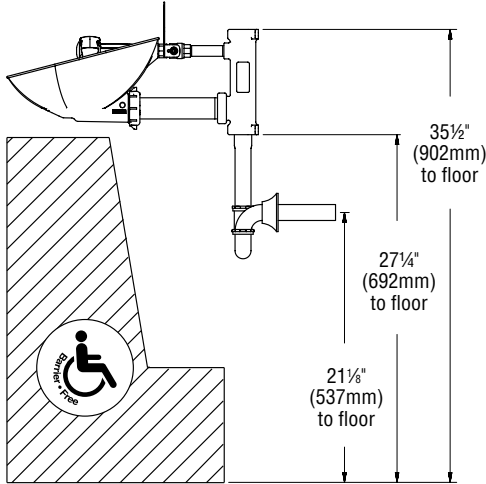
How to Specify Model and Configurations for Bradley Halo Products:



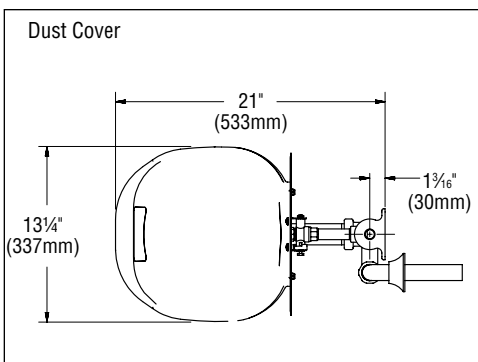
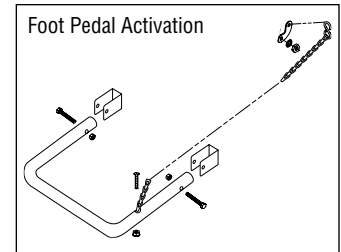
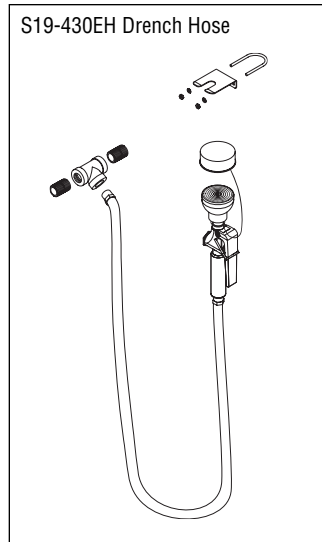
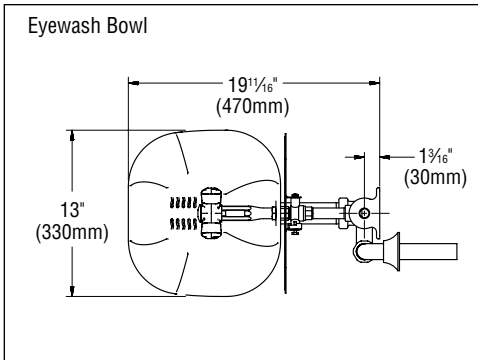
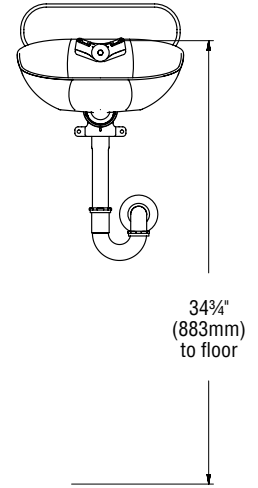
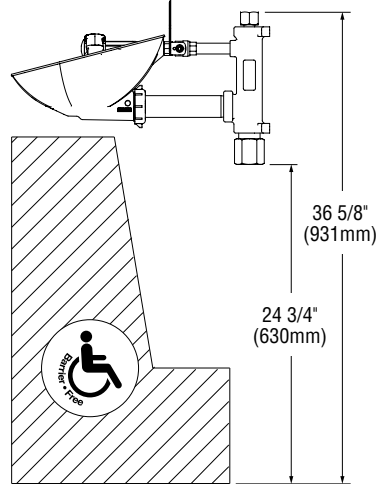
Dimensions

S19224 shown with Eyewash and Plastic Bowl


NPT Connections



BSPP Connections

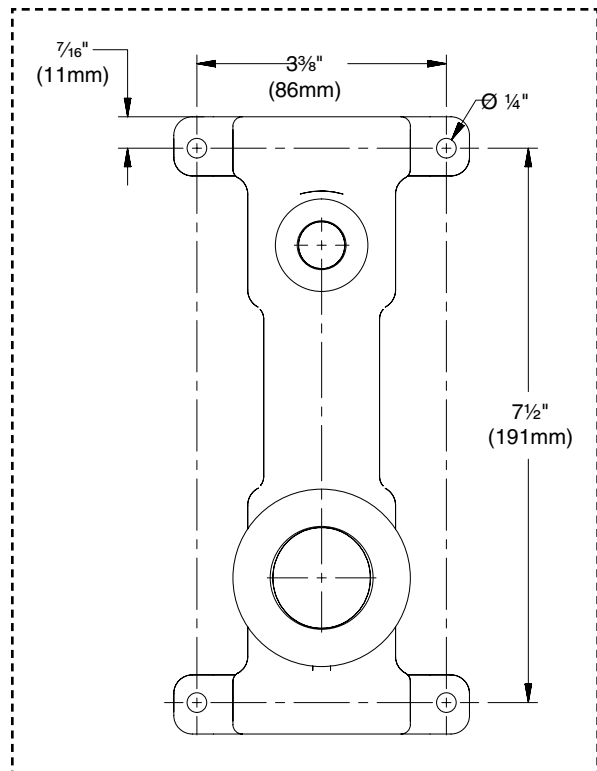
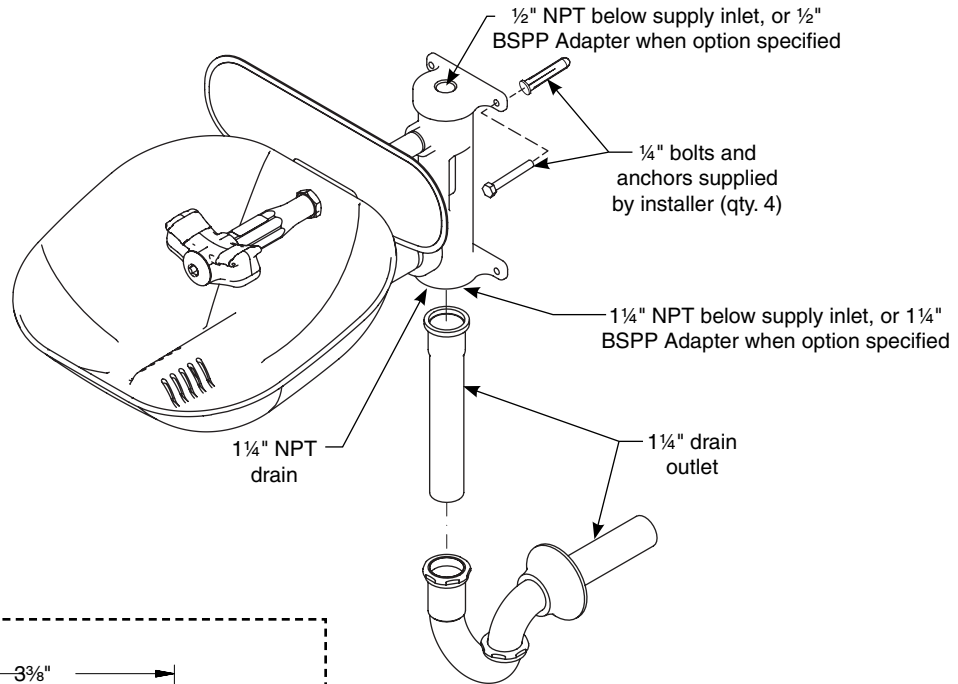


Water Flow Rate	
Eyewash	4-5 1/4 gpm
Eye/Face Wash	4-5 1/4 gpm
Body Wash	2-8 gpm

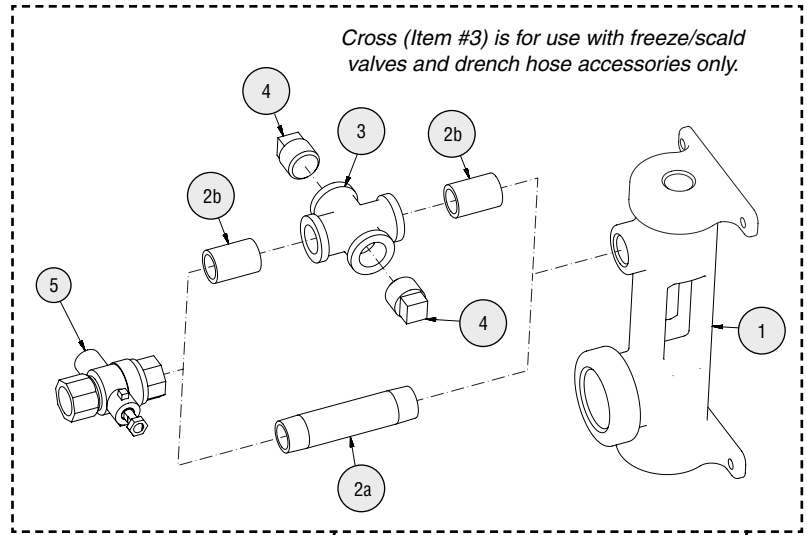
 All dimensions assume standard thread engagement. Variations in manufacturing allow for +/- 1/16" (3mm) per threaded joint. To find the tolerance of a dimension, add the number of thread joints across the length of the dimension and multiply it by 1/16" (3mm).

1 Install Eyewash

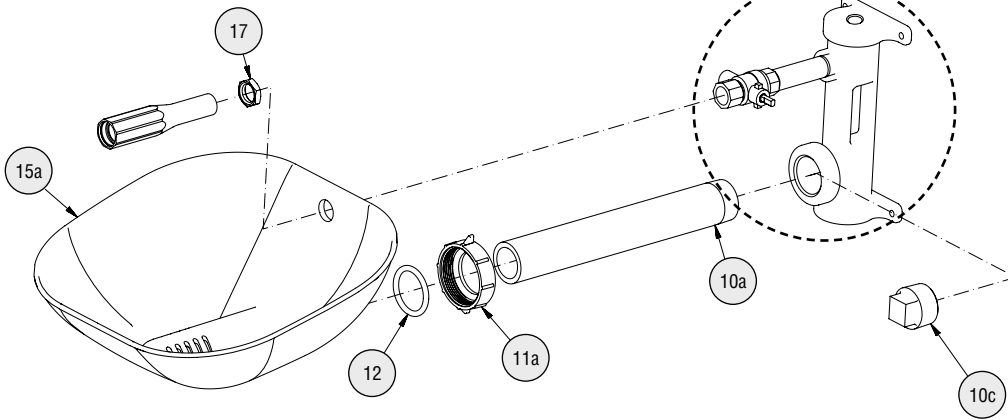
- Standard eyewash unit is shown. Other units are similar.
- When connecting components, use the rubber grip pad (provided) around pipes to prevent marring.
- Apply pipe sealant (supplied by installer) to all male-threaded pipe joints, making sure not to get any excess over the edge of the pipes.
- BSPP = British Standard Pipe Parallel Thread (not available in the U.S.)



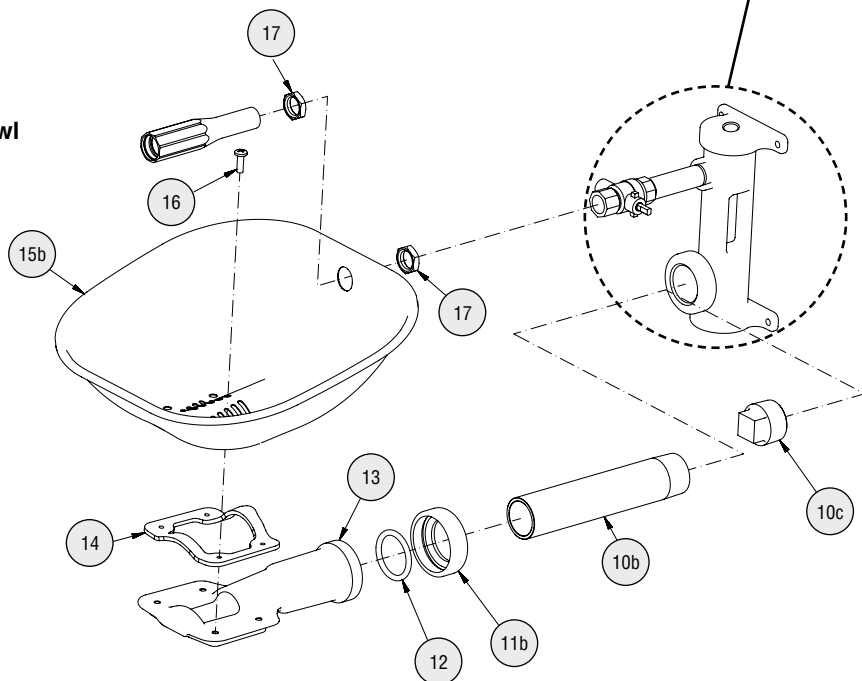
Service Parts — Bowl and Hub



Hub with Plastic Bowl



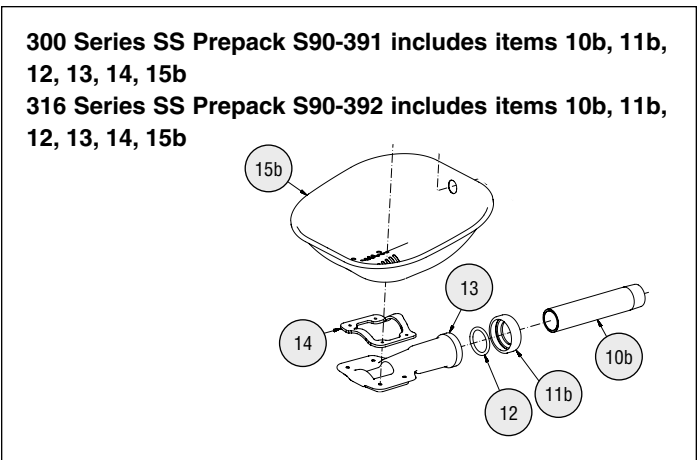
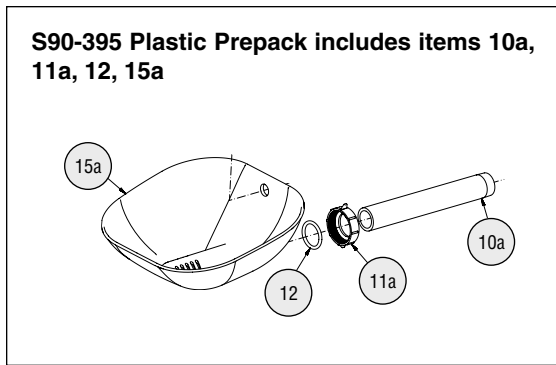
Hub with Stainless Steel Bowl



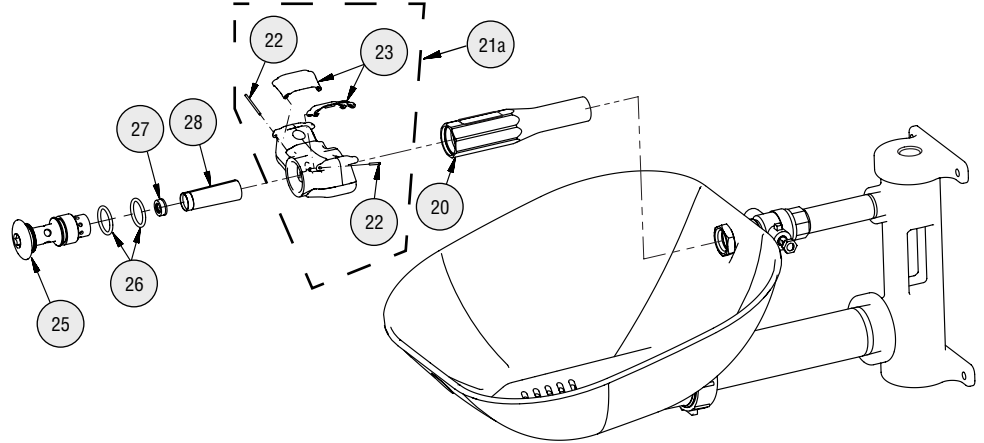
Service Parts List — Bowl and Hub

BSP = British Standard Pipe Thread (not available in the U.S.)

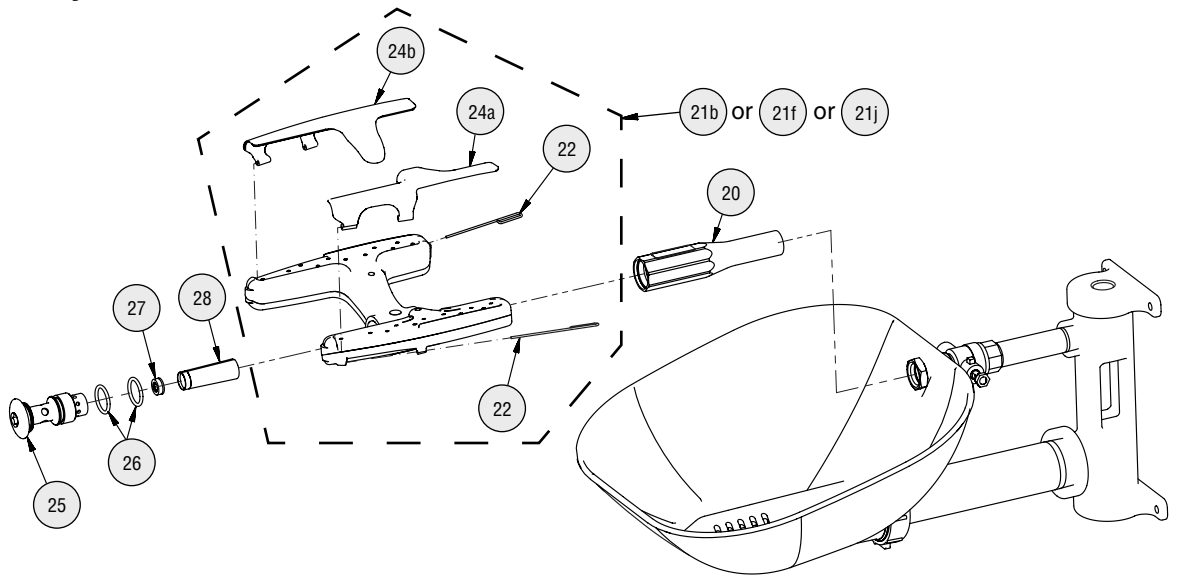
Item	Part No.	Qty	Description	Item	Part No.	Qty	Description
1	111-096	1	Hub	10a	113-1202	1	Pipe 1¼" x 11" thd. one end
1	111-097	1	Hub stainless steel	10a	113-1203	1	Pipe 1¼" x 11" thd. one end stn. steel
1	111-103	1	Hub stainless steel 316	10b	113-1204	1	Pipe 1¼" x 7" thd. one end
1	111-098	1	Hub stainless steel polish	10b	113-1205	1	Pipe 1¼" x 7" thd. one end stainless steel
2a	113-006LQ	1	Pipe ½" x 3½"	10b	113-1206	1	Pipe 1¼" x 7" thd. one end chrome
2a	113-965	1	Pipe ½" x 3½" stainless steel	10b	113-1212	1	Pipe 1¼" x 7" thd. one end stn. steel 316
2a	113-1211	1	Pipe ½" x 3½" stainless steel 316	10c	169-724	1	Plug 1¼" painted galvanized
2a	113-596	1	Pipe ½" x 3½" chrome	10c	269-251	1	Plug 1¼" chrome
2b	113-006LG	2	Pipe ½" x close	10c	269-238	1	Plug 1¼" stainless steel
2b	113-867	2	Pipe ½" x close stainless steel	10c	269-1402	1	Plug 1¼" stainless steel 316
2b	113-1210	2	Pipe ½" x close stainless steel 316	11a	110-239	1	Nut plastic, slip joint
2b	113-006aw	2	Pipe ½" x close chrome	11b	110-240	1	Nut, stainless steel slip joint
3	169-1090	1	Cross ½"	11b	110-242	1	Nut, stainless steel 316 slip joint
3	169-1091	1	Cross ½" stainless steel	12	125-176	1	O-ring
3	169-1098	1	Cross ½" stainless steel 316	13	111-099	1	Bowl mount aluminum
3	169-1097	1	Cross ½" chrome	13	111-100	1	Bowl mount aluminum painted
4	300-0393	2	Plug ½" chrome	13	111-101	1	Bowl mount stainless steel
4	153-230	2	Plug ½" stainless steel	13	111-102	1	Bowl mount stainless steel 316
4	153-460	2	Plug ½" stainless steel 316	14	124-082	1	Bowl gasket
5	S27-327	1	Ball valve ½" with nut	15a	187-320	1	Bowl plastic
5	S27-328	1	Ball valve ½" ss 316 with nut	15b	S90-393	1	Bowl stainless steel (includes Item 14)
5	S27-329	1	Ball valve ½" frost proof with nut	15b	S90-394	1	Bowl stn. steel 316 (includes Item 14)
5	S27-330	1	Ball valve ½" ss 316 frost proof with nut	16	160-467	4	Screw
5.1	110-215	1	Nut	17	110-115a	as req'd.	Nut ½" NPSM chrome brass
5.1	110-248	1	Nut stainless steel 316	17	110-238	as req'd.	Nut ½" NPSM stainless steel
				17	110-241	as req'd.	Nut ½" NPSM stainless steel 316



Service Parts — Eyewash



Service Parts — Eye/Face Wash

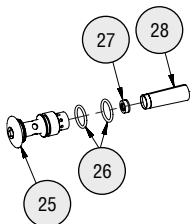


Prepack S65-339 includes items 26, 27, 28

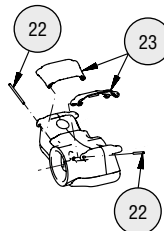
Prepack S88-068 includes items 25, 26, 27, 28

Prepack S88-069 includes items 25, 26, 27, 28
(300 series ss)

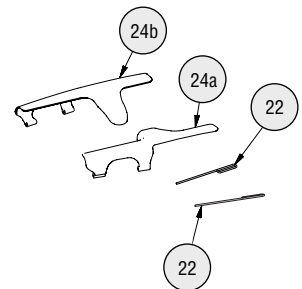
Prepack S88-070 includes items 25, 26, 27, 28
(316 ss)



**Eyewash Cover Prepack
S45-2675 includes items
22 and 23**

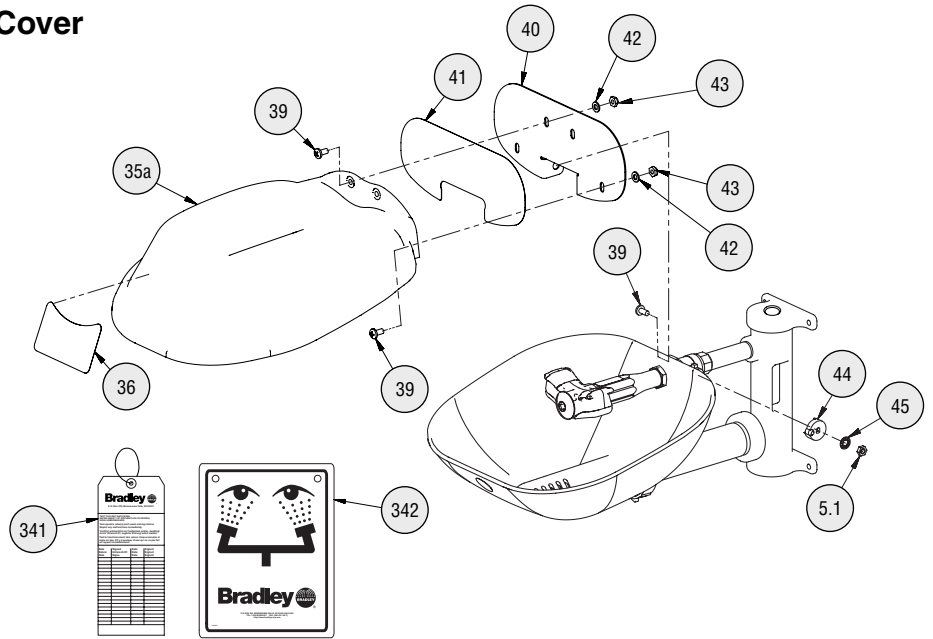
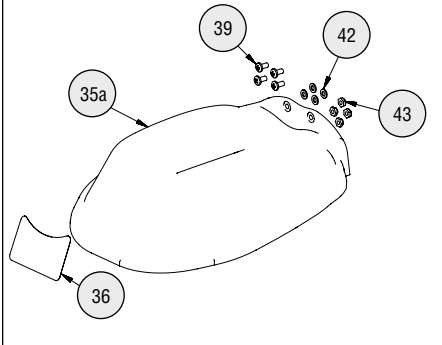


**Eye/Face Wash Cover Prepack
S45-2676 includes items 22,
24a and 24b**



Service Parts — Plastic Bowl Cover

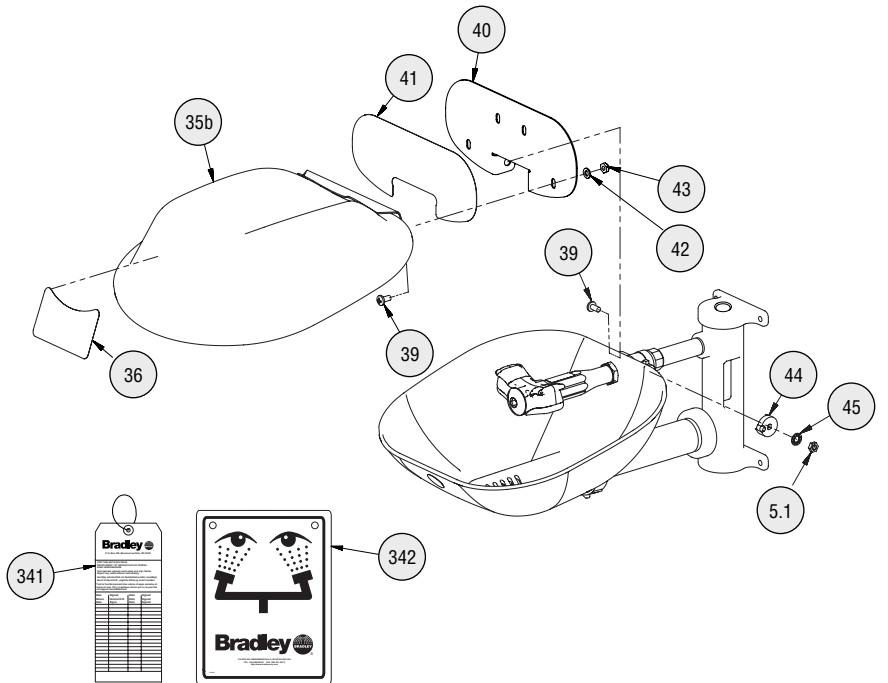
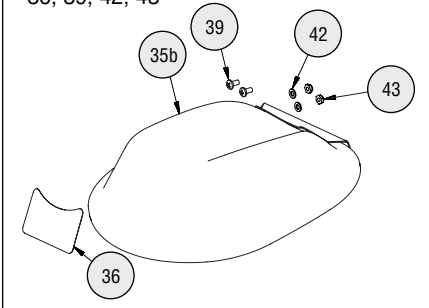
Plastic Bowl Cover Prepack S90-390 includes items 35a, 36, 39, 42, 43



Service Parts — Stainless Steel Bowl Cover

Stainless Steel Bowl Cover Prepack S90-388 includes items 35b, 36, 39, 42, 43

Stainless Steel (316) Bowl Cover Prepack S90-389 includes items 35b, 36, 39, 42, 43



Handle Prepacks include items 39, 40, 41, 44, 45, 5, 5.1

Prepack S08-390 (for units with brass ball valve)

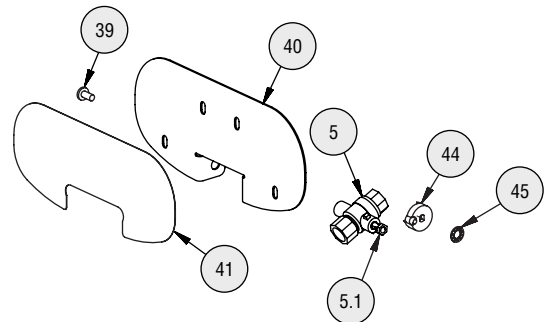
Prepack S08-391 (for units with stainless steel ball valve)

Prepack S08-392 (for units with brass frost-proof ball valve)

Prepack S08-393 (for units with stainless steel frost-proof ball valve)

Prepack S08-394 (for units with 316 stainless steel ball valve and handle)

Prepack S08-395 (for units with 316 stainless steel frost-proof ball valve and handle)



Service Parts List — Eyewash and Eye/Face Wash

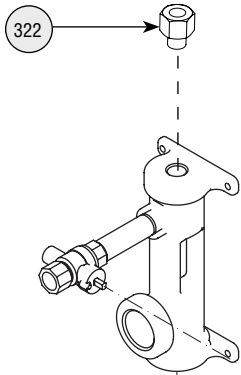
Item	Part No.	Qty	Description
20	171-001	1	Body
20	171-002	1	Body stainless steel
20	171-003	1	Body stainless steel 316
20	171-004	1	Body polished
21a	S05-190	1	Sprayhead ass'y. eyewash (includes)
22	in service kit	2	Pivot pin
23	in service kit	2	Flip cover eyewash
21b	S05-192	1	Sprayhead ass'y. eye/face wash (includes)
22	in service kit	2	Pivot pin
24a	in service kit	1	Flip cover right
24b	in service kit	1	Flip cover left
21f	S05-204	1	Sprayhead stainless steel 304 ass'y. eye/face (includes)
22	in service kit	2	Pivot pin
24a	in service kit	1	Flip cover right
24b	in service kit	1	Flip cover left
21j	S05-205	1	Sprayhead stainless steel 316 ass'y. eye/face (includes)
22	in service kit	2	Pivot pin
24a	in service kit	1	Flip cover right
24b	in service kit	1	Flip cover left
25	115-158	1	Cap
25	115-159	1	Cap stainless steel
25	115-164	1	Cap stainless steel 316
25	115-165	1	Cap polished

Item	Part No.	Qty	Description
26	125-157	2	O-ring
27	125-175	1	Flow control
28	S65-340	1	Screen (incl. 3 per pack)
35a	in service kit	1	Bowl cover plastic
35b	in service kit	1	Bowl cover stainless steel
35b	in service kit	1	Bowl cover stainless steel 316
36	114-097	1	Bowl cover decal
39	160-389	as req'd.	Screw ¼-20 x ½" stn. steel
39	160-469	as req'd.	Screw ¼-20 x ½" stn. steel 316
40	S08-385	1	Handle ss (incl. items 41, 44, 45, 5.1)
40	S08-388	1	Handle ss 316 (incl. items 41, 44, 45, 5.1)
41	114-096	1	Decal
42	142-002AV	as req'd.	Bowl cover washer
43	161-060	as req'd.	Nut stainless steel
43	161-062	as req'd.	Nut stainless steel 316
44	153-372R	1	Adapter ball valve
44	153-372R316	1	Adapter ball valve stainless steel 316
45	142-002DA	1	Lockwasher
341	204-421	1	Emergency Inspection Tag
342	114-051	1	Eyewash Safety Sign
342	114-051E	1	Eyewash Safety Sign (not available in the U.S.)

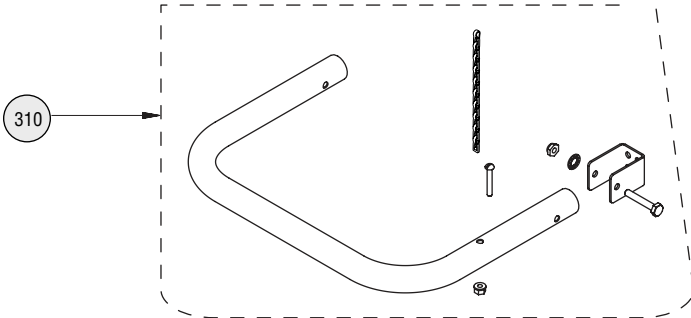
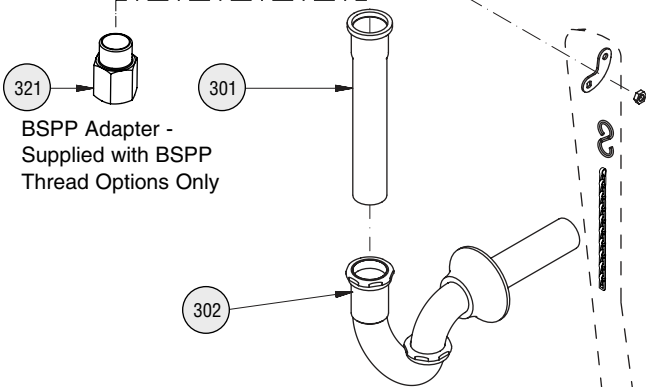
Service Parts and Parts List — Drain, P-trap, and Optional Foot Pedal

Item	Part No.	Qty	Description
301	269-167	1	Tailpiece
302	269-142	1	P-trap
310	S39-395	1	Foot Pedal Kit
321	169-1117	1	BSPP-NPT 1-1/4" 303SS
321	169-1118	1	BSPP-NPT 1-1/4" 316SS
322	169-1119	1	BSPP-NPT 1/2" 303SS
322	169-1120	1	BSPP-NPT 1/2" 316SS

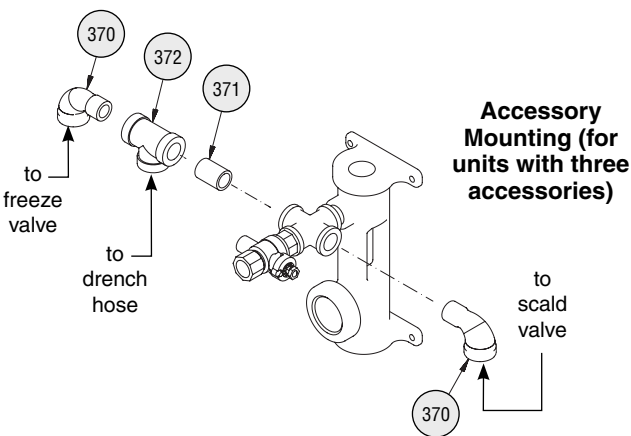
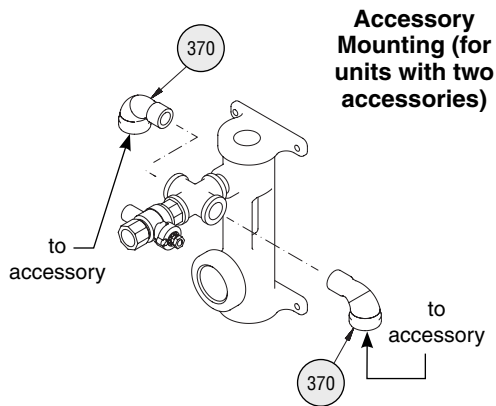
BSPP Adapter -
Supplied with BSPP
Thread Options Only



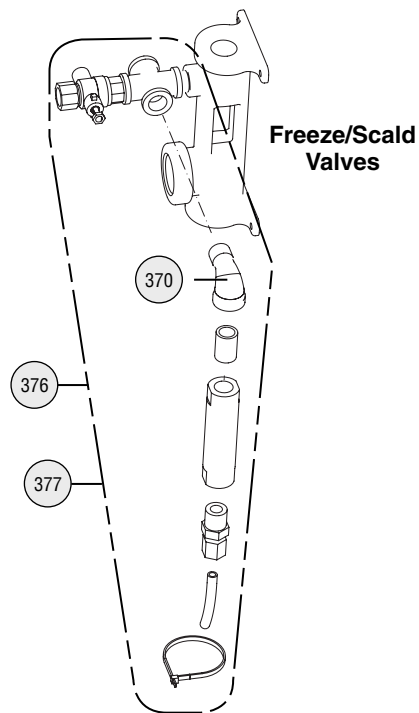
BSPP Adapter -
Supplied with BSPP
Thread Options Only



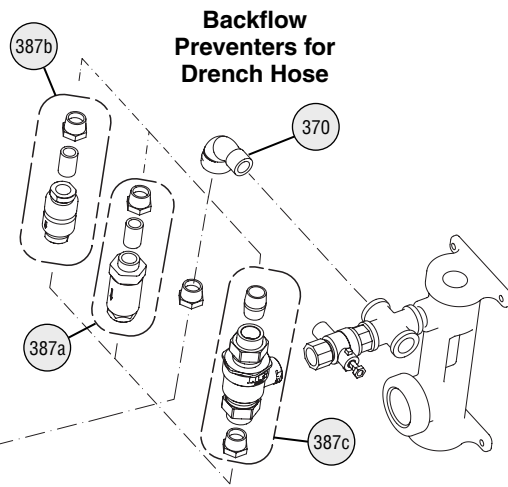
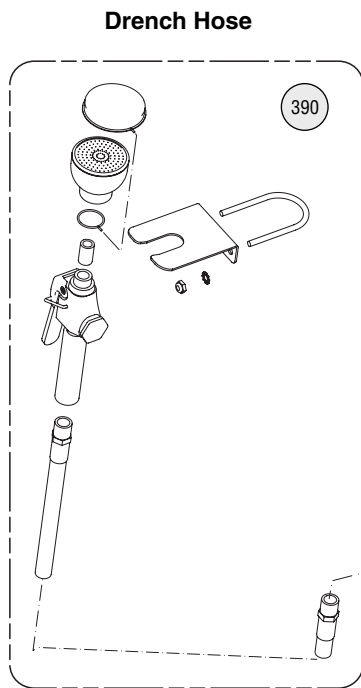
Service Parts and Parts List — Optional Accessories



Item	Part No.	Qty.	Description
370	169-025	as req'd.	Elbow ½"
370	269-241	as req'd.	Elbow ½" stainless steel
370	269-1396	as req'd.	Elbow ½" stainless steel 316
370	169-862	as req'd.	Elbow ½" chrome
371	113-006LG	1	Pipe ½" x close
371	113-867	1	Pipe ½" x close stainless steel
371	113-1210	1	Pipe ½" x close stainless steel 316
371	113-006AW	1	Pipe ½" x close chrome
372	169-838	1	Tee ½"
372	169-1100	1	Tee ½" stainless steel
372	269-280	1	Tee ½" chrome
372	169-1099	1	Tee ½" stainless steel 316



Item	Part No.	Description
376	S45-1986	Freeze Valve kit
377	S45-1989	Scald Valve kit



Item	Part No.	Qty.	Description
387a	S27-303	1	Vacuum breaker in-line ¾"
387b	S45-2309	1	Backflow preventer N9
387c	S45-2310	1	Backflow preventer 9D
390	S19-430EH	1	Spray Kit

IMPORTANT

L'installation et l'emplacement de toutes les douches d'urgence, oculaires et oculaires-faciales doivent être conformes aux exigences d'ANSI Z358.1.

Le matériel d'urgence doit être alimenté en eau tiède (15,6 °C à 37,8 °C/60 °F à 100 °F). Toute exposition prolongée à de l'eau proche de la température de congélation peut altérer la capacité de l'organisme à maintenir la température corporelle, ce qui accroît le risque d'hypothermie.

Avant d'installer ce produit, vérifier qu'il y a des dégagements suffisants autour du produit et que l'activation du produit n'est pas entravée par d'autres produits ou obstructions.

Lire ce manuel d'installation dans son intégralité pour garantir une installation appropriée. Une fois celle-ci terminée, classer ce manuel auprès du service à la clientèle ou d'entretien. L'installateur est responsable de la conformité de l'installation aux codes pour des drain et codes et règlements en vigueur.

Assurez-vous que toutes les pièces sont incluses dans l'emballage et qu'il n'en manque aucune avant de jeter l'emballage.

Rincez la conduite d'alimentation avant et après l'installation. Assurez-vous que le débit d'eau est adéquat et qu'il n'y a pas de fuites. L'alimentation principale en eau doit être toujours OUVERTE. On devra prévoir des dispositions pour empêcher tout arrêt non autorisé.

La norme ANSI Z358.1 prévoit une alimentation ininterrompue du liquide de rinçage. Les appareils d'urgence Bradley raccordés au réseau nécessitent une pression d'écoulement d'au moins 30 PSI (0,21 MPa).

Les soupapes à ressort à fermeture automatique ne sont pas classifiées UL selon ANSI Z358.1.

Une activation hebdomadaire doit être effectuée sur tout le matériel d'urgence à tuyauterie d'alimentation pour vérifier que l'arrivée de liquide de rinçage est suffisante et éliminer tout dépôt de sédiment de la conduite d'alimentation. Le matériel d'urgence doit être contrôlé chaque mois pour régler tout problème d'entretien éventuel et s'assurer que le matériel est en bon état de marche et ne présente aucun signe d'usure.

Les ouvriers susceptibles d'entrer en contact avec des matières potentiellement dangereuses doivent recevoir une formation sur la mise en place et le bon fonctionnement du matériel d'urgence conformément à la norme ANSI Z358.1.

Pour toute question concernant le fonctionnement ou l'installation de ce produit, consulter le site www.bradleycorp.com ou appeler le 1-800-BRADLEY.

Les garanties de produits figurent sous la rubrique « Informations techniques » sur notre site Internet à www.bradleycorp.com.

AVIS Éviter les produits nettoyants qui contiennent des solvants organiques, des alcools et des hydrocarbures. Rincer à l'eau après nettoyage.

Equipements nécessaires :

- (4) ancrages et boulons de ¼"
- Produit d'étanchéité pour tuyaux
- Pression d'écoulement de 30 PSI (2,0 bar) min/90 PSI (6,1 bar) max
- Pression statique de 125 PSI (8,6 bar) max
- Tuyauterie vers entrée d'alimentation de 1¼ po NPT (BSPP) (30 à 90 psi [2,0 à 6,1 bar])
- Tuyau de vidange de 1¼" NPT (s'il est incluse avec l'unité)
- Quincaillerie pour l'installation de l'enseigne (en option)
- Ruban Teflon certifié DVGW (modèles certifiés DVGW seulement)



Les codes locaux peuvent exiger l'installation d'une soupape de prévention d'écoulement de retour pour réaliser une installation appropriée. L'installateur est responsable de la conformité aux codes locaux. La soupape doit être testée une fois par an pour vérifier qu'elle fonctionne correctement. Les soupapes de prévention d'écoulement de retour ne sont pas fournies avec l'appareil et peuvent être fournies par l'entrepreneur ou achetées auprès de Bradley Corporation..

Modèles préconfigurés Halo

Numéro de modèle Halo	Description	Certifié UL suivant ANSI/ISEA	Certifié Intertek suivant les normes EN
Douches oculaires			
<input type="checkbox"/> S19224EW	Douche oculaire Halo, vasque en plastique	X	X
<input type="checkbox"/> S19224PT	Douche oculaire Halo, vasque en plastique, siphon en P	X	X
<input type="checkbox"/> S19224B	Douche oculaire Halo, vasque en acier inoxydable	X	X
<input type="checkbox"/> S19224BPT	Douche oculaire Halo, vasque en acier inoxydable, siphon en P	X	X
Douches oculaires avec cache-poussière			
<input type="checkbox"/> S19224PDC	Douche oculaire Halo, vasque en plastique avec cache-poussière	X	X
<input type="checkbox"/> S19224DC	Douche oculaire Halo, vasque et cache-poussière à charnières en acier inoxydable	X	X
<input type="checkbox"/> S19224DCPT	Douche oculaire Halo, vasque et cache-poussière à charnières en acier inoxydable, siphon en P	X	X
Douches oculaires-faciales			
<input type="checkbox"/> S19224FW	Douche oculaire-faciale Halo, vasque en plastique	X	X
<input type="checkbox"/> S19224FWPT	Douche oculaire-faciale Halo, vasque en plastique, siphon en P	X	X
<input type="checkbox"/> S19224T	Douche oculaire-faciale Halo, vasque en acier inoxydable	X	X
<input type="checkbox"/> S19224P	Douche oculaire-faciale Halo, vasque en acier inoxydable avec tuyau de lavage, raccord droit de vidange	X	X
<input type="checkbox"/> S19224TPT	Douche oculaire-faciale Halo, vasque en acier inoxydable, siphon en P	X	X
<input type="checkbox"/> S19224Y	Douche oculaire-faciale Halo, vasque en acier inoxydable, activation à la main/au pied, raccord droit de vidange	X	X
Douches oculaires-faciales avec cache-poussière			
<input type="checkbox"/> S19224PDCFW	Douche oculaire-faciale Halo, vasque en plastique avec cache-poussière	X	X
<input type="checkbox"/> S19224DCFW	Douche oculaire-faciale Halo, vasque et cache-poussière à charnières en acier inoxydable	X	X
<input type="checkbox"/> S19224DCRPT	Douche oculaire-faciale Halo, vasque et cache-poussière à charnières en acier inoxydable, siphon en P	X	X
Douche oculaire-faciale tout inox			
<input type="checkbox"/> S19224SC	Douche oculaire/faciale, bac et capot en acier inoxydable Halo	X	X
<input type="checkbox"/> S19224SS	Douche oculaire-faciale et vasque en acier inoxydable Halo	X	X

Modèles à filetage BSPP également proposés. Pour le filetage BSPP, ajouter un Z à la fin du numéro de référence. Par exemple, S19224EW devient S19224EWZ.

Modèles préconfigurés Halo

Tous les modèles certifiés AS4775 et AS/NZS 4020 comportent une tuyauterie en acier inoxydable à filetage BSPP.

Numéro de modèle Halo	Description	Certifié IAPMO Oceana suivant AS4775 et AS4020
Douches oculaires		
<input type="checkbox"/> S19224EWZS	Douche oculaire Halo, vasque en plastique	X
<input type="checkbox"/> S19224PTZS	Douche oculaire Halo, vasque en plastique, siphon en P	
<input type="checkbox"/> S19224BZS	Douche oculaire Halo, vasque en acier inoxydable	X
<input type="checkbox"/> S19224BPTZS	Douche oculaire Halo, vasque en acier inoxydable, siphon en P	
Douches oculaires avec cache-poussière		
<input type="checkbox"/> S19224PDCZS	Douche oculaire Halo, vasque en plastique avec cache-poussière	X
<input type="checkbox"/> S19224DCZS	Douche oculaire Halo, vasque et cache-poussière à charnières en acier inoxydable	X
<input type="checkbox"/> S19224DCPTZS	Douche oculaire Halo, vasque et cache-poussière à charnières en acier inoxydable, siphon en P	
Douches oculaires-faciales		
<input type="checkbox"/> S19224FWZS	Douche oculaire-faciale Halo, vasque en plastique	X
<input type="checkbox"/> S19224FWPTZS	Douche oculaire-faciale Halo, vasque en plastique, siphon en P	
<input type="checkbox"/> S19224TZS	Douche oculaire-faciale Halo, vasque en acier inoxydable	X
<input type="checkbox"/> S19224TPTZS	Douche oculaire-faciale Halo, vasque en acier inoxydable, siphon en P	
<input type="checkbox"/> S19224YZS	Douche oculaire-faciale Halo, vasque en acier inoxydable, activation à la main/au pied, raccord droit de vidange	X
Douches oculaires-faciales avec cache-poussière		
<input type="checkbox"/> S19224PDCFWZS	Douche oculaire-faciale Halo, vasque en plastique avec cache-poussière	X
<input type="checkbox"/> S19224DCFWZS	Douche oculaire-faciale Halo, vasque et cache-poussière à charnières en acier inoxydable	X
<input type="checkbox"/> S19224DCRPTZS	Douche oculaire-faciale Halo, vasque et cache-poussière à charnières en acier inoxydable, siphon en P	
Douche oculaire-faciale tout inox		
<input type="checkbox"/> S19224SCZ	Douche oculaire/faciale, bac et capot en acier inoxydable Halo	X
<input type="checkbox"/> S19224SSZ	Douche oculaire-faciale et vasque en acier inoxydable Halo	X

Configuration du produit

Sélections standard (devez sélectionner un de chaque catégorie)

Configuration

0 Support de mur standard

Tuyau

A Acier inox NPT galvanisé avec jaune BradTect®

B Acier inox 304 NPT

C Acier inox 316 NPT

D Laiton chromé NPT

F BSPP, Acier inox galvanisé avec jaune BradTect® ‡

G BSPP, Acier inox 304 ‡

J BSPP, Laiton chromé ‡

Robinet

1 Restant ouvert (douche oculaire), laiton chromé

2 Restant ouvert (douche oculaire), 316 SS

Douche oculaire – faciale

A Douche oculaire Halo

B Douche oculaire/faciale Halo

D Douche oculaire Halo, guidon acier inox 304

E Douche oculaire/faciale Halo, guidon acier inox 304

F Douche oculaire/faciale inox 304 Halo, guidon acier inox 304

G Douche oculaire Halo, guidon acier inox 316

H Douche oculaire/faciale Halo, guidon acier inox 316

J Douche oculaire/faciale inox 316 Halo, guidon acier inox 316

Récepteur avec couvercle anti-poussières

A Récepteur plastique, sans couvercle anti-poussières

B Récepteur plastique, couvercle anti-poussières plastique

D Récepteur acier inox 304, sans couvercle anti-poussières

E Récepteur acier inox 304, couvercle anti-poussières acier inox 304

F Récepteur acier inox 304, couvercle anti-poussières plastique

G Récepteur acier inox 316, sans couvercle anti-poussières

H Récepteur acier inox 316, couvercle anti-poussières acier inox 316

J Récepteur acier inox 316, couvercle anti-poussières plastique

0 Pas de récepteur, pas de couvercle anti-poussières

Activation

A Manette acier inox 304

B Manette acier inox 316

D Manette acier inox 304 avec pédale acier inox*

Vidange

A Pièce de raccordement

D Siphon en P

0 Pas de vidange

Gicleur et Prévention d'écoulement de retour

A Gicleur avec dispositif la prévention des casse-vide

B Gicleur avec dispositif de prévention d'écoulement de retour N9

C Gicleur avec dispositif de prévention d'écoulement de retour 9D

D Gicleur sans prévention d'écoulement de retour

0 Pas de gicleur, pas de prévention d'écoulement de retour

Vanne antigel et vanne anti-échaudage

N Vanne antigel

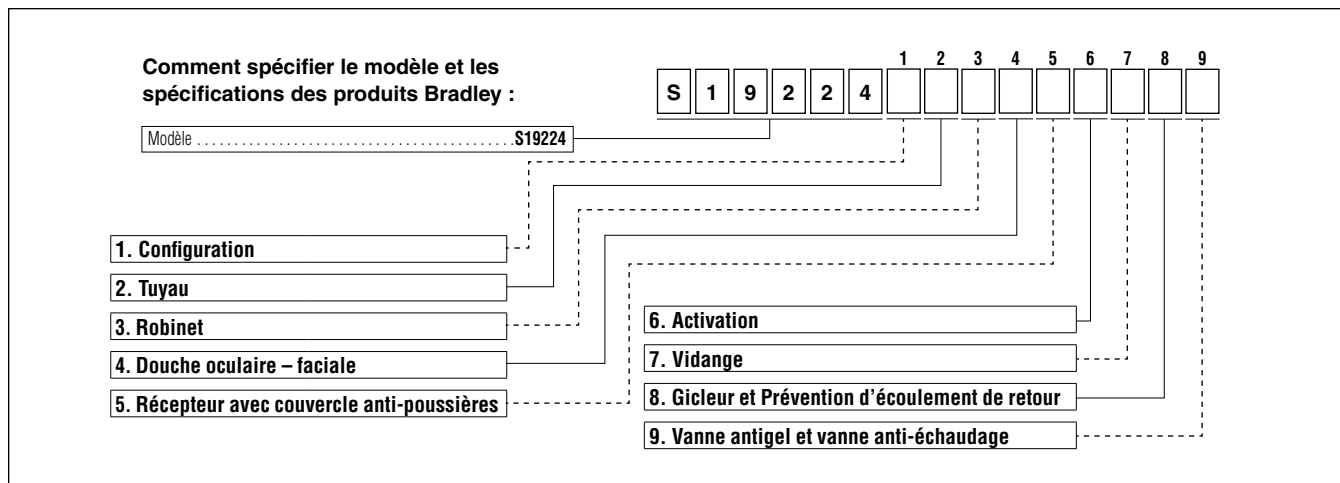
P Vanne anti-échaudage

R Vanne antigel et vanne anti-échaudage

0 Pas de vanne antigel, pas de vanne anti-échaudage

* Non disponible avec configurations sans barrière.
 ‡ Non disponible aux États-Unis

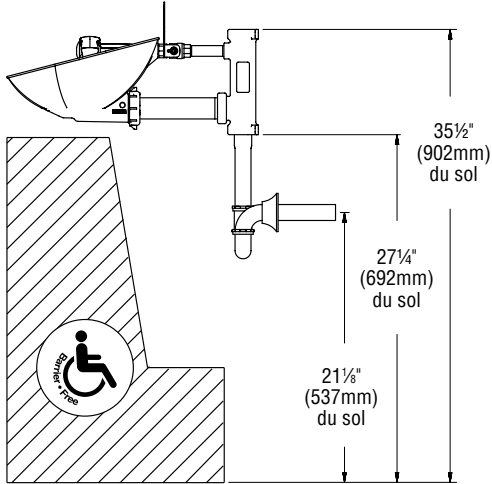
- NPT = National Pipe Thread**
- BSPP = Filetage British Standard Pipe Parallel (non disponible aux États-Unis)**
- Toutes les sélections effectuées à l'aide du configurateur sont uniquement certifiées UL suivant ANSI Z358.1**



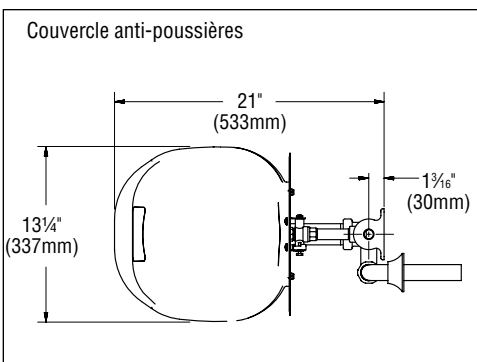
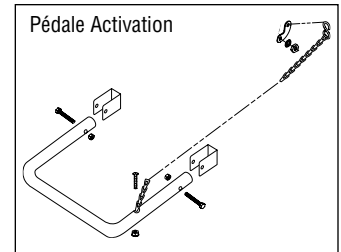
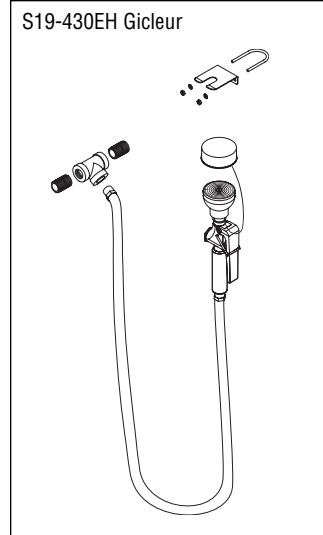
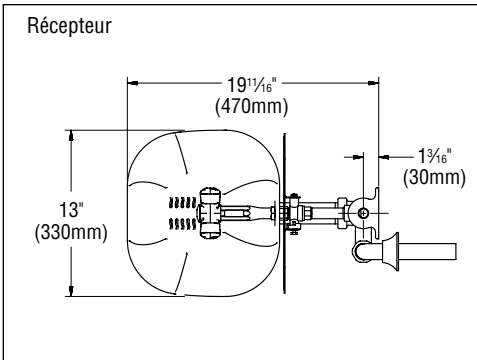
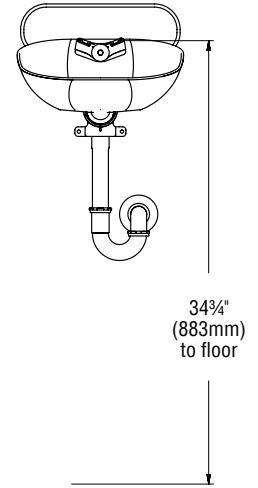
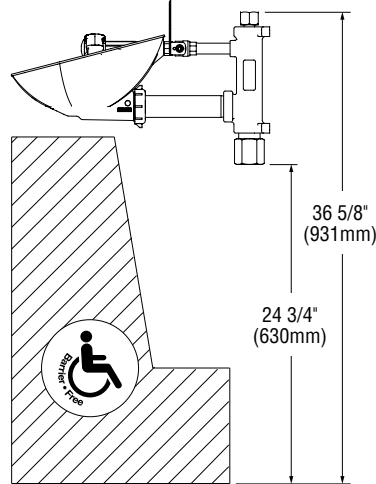
Dimensions

S19224 montré avec récepteur en plastique

NPT Connections



BSPP Connections

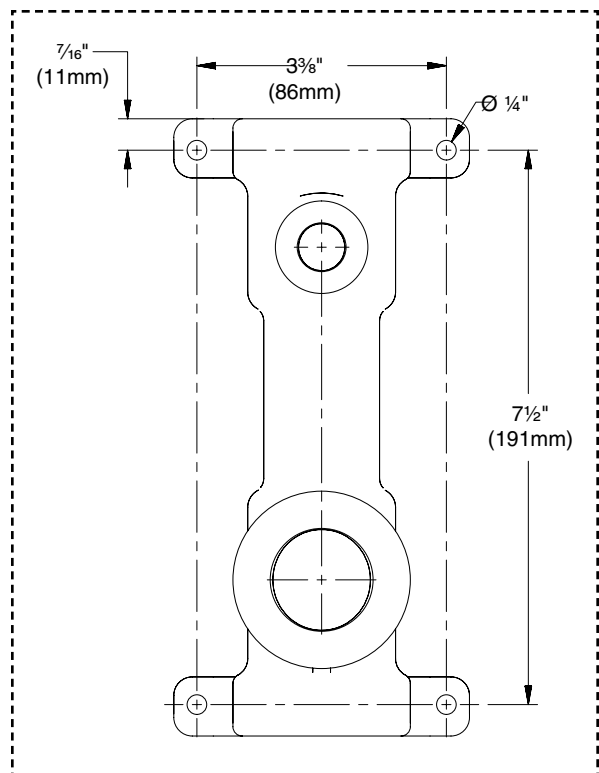
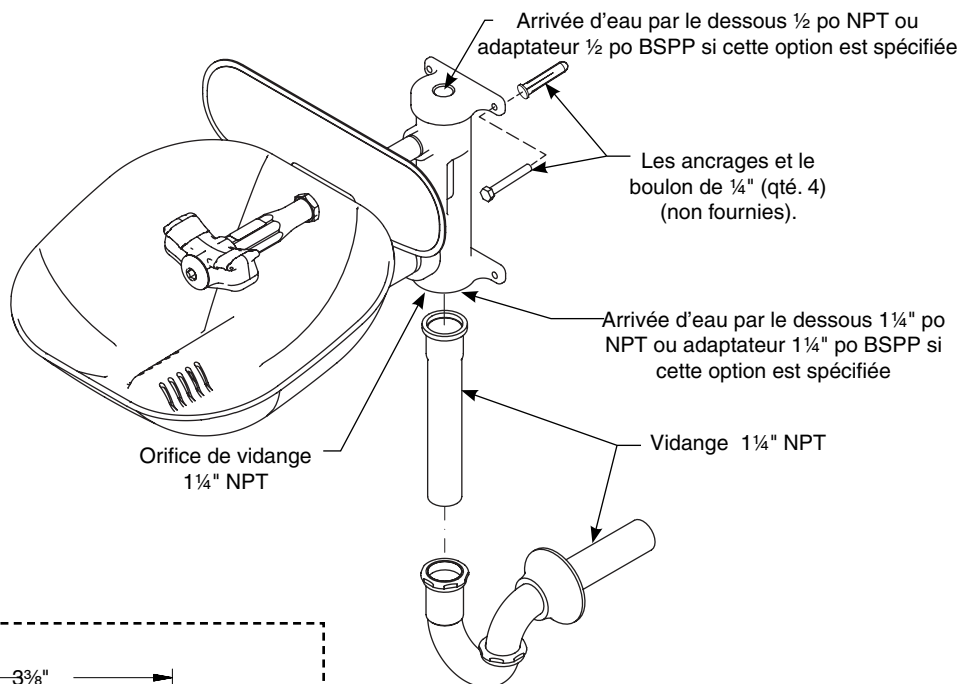


Débit d'eau	
Douche oculaire	4-5 1/4 gpm
Douche oculaire/faciale	4-5 1/4 gpm
Douche pour le corps	2-8 gpm

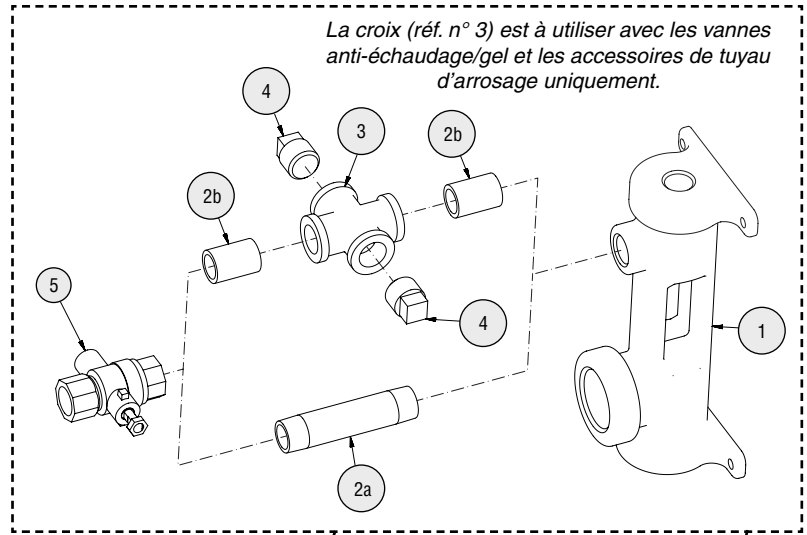
Toutes les dimensions supposent un engagement de filetage standard. Les variations de fabrication prévoient +/- 3,1 mm (1/8") par joint fileté. Pour trouver la tolérance d'une dimension, ajouter le nombre de joints filetés entre une dimension et le multiplier par 3,1 mm (1/8").

1 Assemblage — Douche oculaire

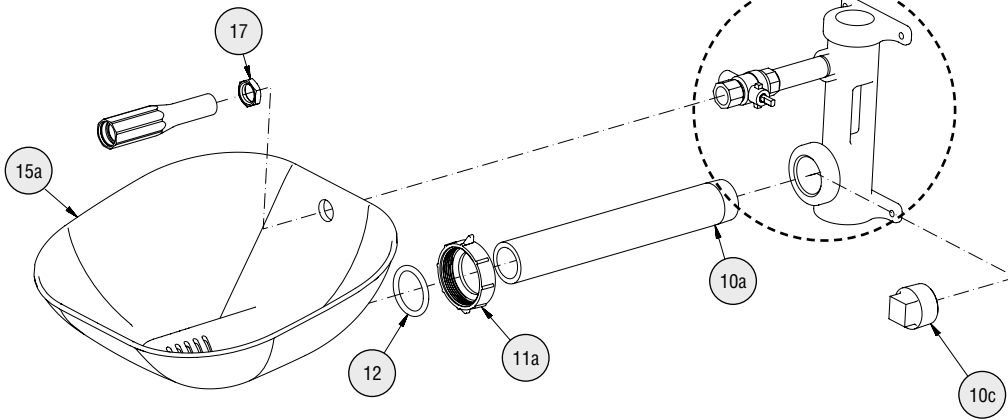
- ☑ *Douche oculaire standard illustrée. Les autres unités sont similaires.*
- ☑ *Utilisez des tampons autour des tuyaux pour ne pas les endommager lors du serrage.*
- ☑ *Mettez du produit d'étanchéité (non fourni) sur tous les filetages mâles. Ne laissez pas le produit d'étanchéité à déborder sur le bord des tuyaux.*
- ☑ *BSP = filetage British Standard Pipe (Non disponible aux États-Unis)*



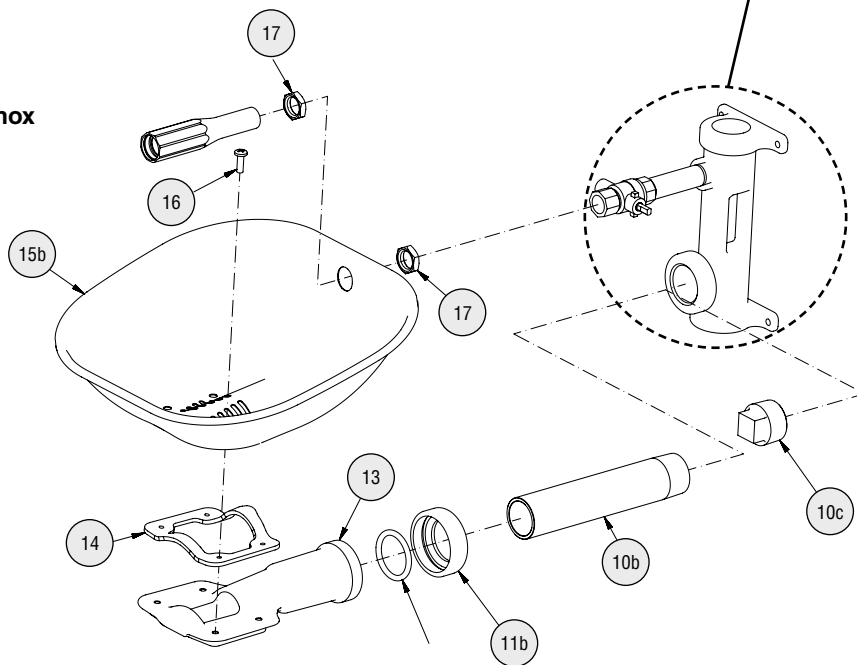
Pièces de remplacement — Récepteur et moyeu



Moyeu avec récepteur en plastique



Moyeu avec récepteur en acier inox

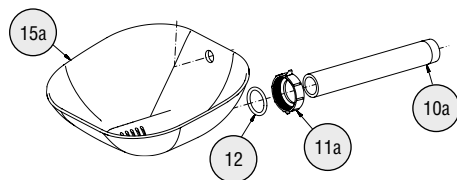


Liste des pièces — Récepteur et moyeu

BSP = filetage British Standard Pipe (Non disponible aux États-Unis)

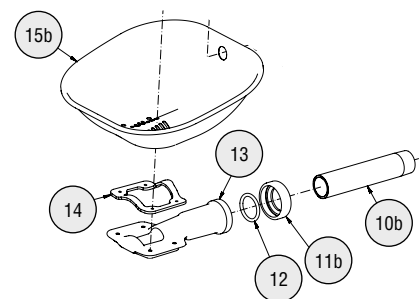
Pièce	Réf.	Qté.	Description	Pièce	Réf.	Qté.	Description
1	111-096	1	Moyeu	10a	113-1203	1	Tuyau 1¼" x 11" acier inox extrémité fileté
1	111-097	1	Moyeu acier inox	10b	113-1204	1	Tuyau 1¼" x 7" extrémité fileté
1	111-103	1	Moyeu acier inox 316	10b	113-1205	1	Tuyau 1¼" x 7" acier inox extrémité fileté
1	111-098	1	Moyeu acier inox poli	10b	113-1206	1	Tuyau 1¼" x 7" chromé extrémité fileté
2a	113-006LQ	1	Tuyau ½" x 3½"	10b	113-1212	1	Tuyau 1¼" x 7" acier inox 316 extrémité fileté
2a	113-965	1	Tuyau ½" x 3½" acier inox	10c	169-724	1	Bouchon 1¼" peint galvanisé
2a	113-1211	1	Tuyau ½" x 3½" acier inox 316	10c	269-251	1	Bouchon 1¼" chromé
2a	113-596	1	Tuyau ½" x 3½" chromé	10c	269-238	1	Bouchon 1¼" acier inox
2b	113-006LG	2	Tuyau ½" x ferme	10c	269-1402	1	Bouchon 1¼" acier inox 316
2b	113-867	2	Tuyau ½" x ferme en acier inox	11a	110-239	1	Écrou, plastique
2b	113-1210	2	Tuyau ½" x ferme en acier inox 316	11b	110-240	1	Écrou, acier inox
2b	113-006AW	2	Tuyau ½" x ferme chromé	11b	110-242	1	Écrou, acier inox 316
3	169-1090	1	Croix ½"	12	125-176	1	Bague
3	169-1091	1	Croix ½" acier inox	13	111-099	1	Support récepteur aluminium
3	169-1098	1	Croix ½" acier inox 316	13	111-100	1	Support récepteur peint aluminium
3	169-1097	1	Croix ½" chromé	13	111-101	1	Support récepteur acier inox
4	300-0393	2	Bouchon ½" chromé	13	111-102	1	Support récepteur acier inox 316
4	153-230	2	Bouchon ½" acier inox	14	124-082	1	Joint d'étanchéité
4	153-460	2	Bouchon ½" acier inox 316	15a	187-320	1	Récepteur plastique
5	S27-327	1	Robinet ½" avec écrou	15b	S90-393	1	Récepteur acier inox (incl. le élément 14)
5	S27-328	1	Robinet ½" acier inox 316 avec écrou	15b	S90-394	1	Récepteur acier inox 316 (incl. le élément 14)
5	S27-329	1	Vanne antigel ½" avec écrou	16	160-467	4	Vis
5	S27-330	1	Vanne antigel ½" acier inox 316 avec écrou	17	110-115a		Écrou ½" NPSM laiton chromé (qté. au besoin)
5.1	110-215	1	Écrou	17	110-238		Écrou ½" NPSM acier inox (qté. au besoin)
5.1	110-248	1	Écrou acier inox 316	17	110-241		Écrou ½" NPSM acier inox 316 (qté. au besoin)
10a	113-1202	1	Tuyau 1¼" x 11" extrémité fileté				

Paquet récepteur plastique S90-395 comprend les éléments 10a, 11a, 12, 15a

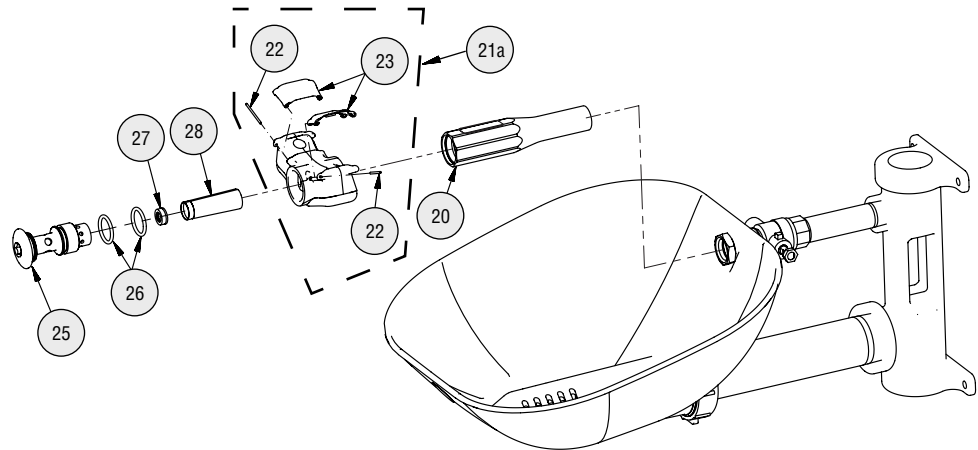


Paquet récepteur acier inox 300 Serie S90-391 comprend les éléments 10b, 11b, 12, 13, 14, 15b

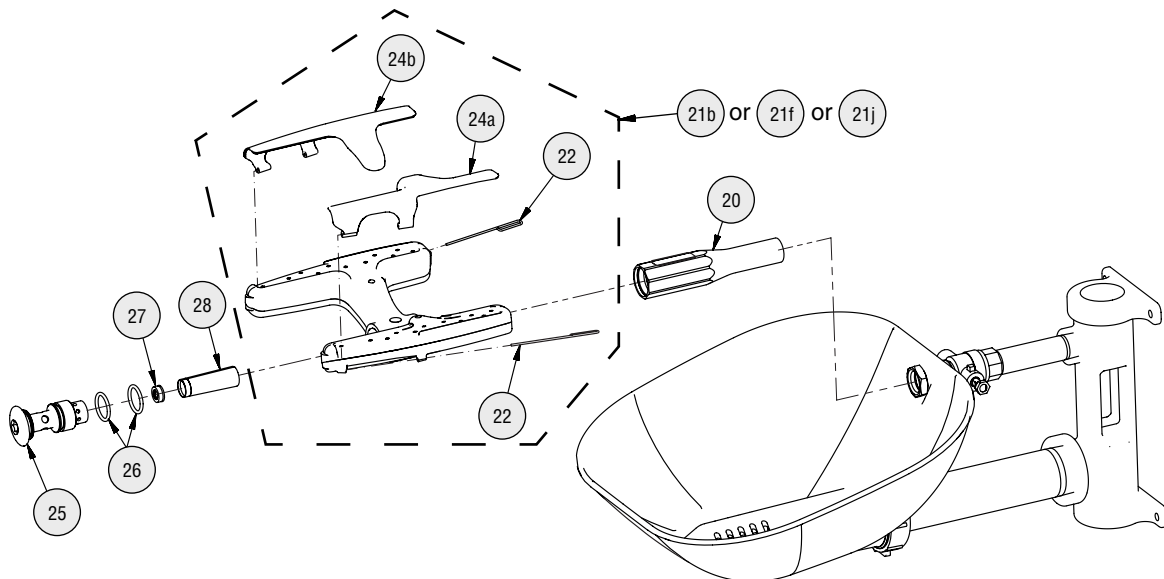
Paquet récepteur acier inox 316 Serie S90-392 comprend les éléments 10b, 11b, 12, 13, 14, 15b



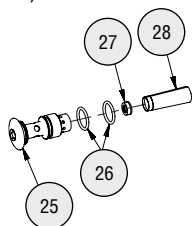
Pièces de remplacement — Douche oculaire



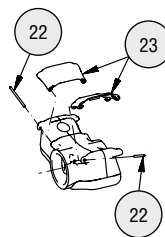
Pièces de remplacement — Douche oculaire/faciale



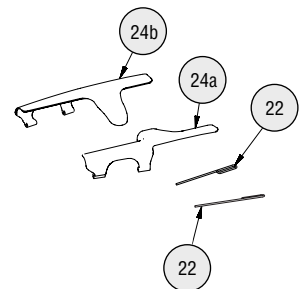
Paquet S65-339 comprend les éléments 26, 27, 28
 Paquet S88-068 comprend les éléments 25, 26, 27, 28
 Paquet S88-069 comprend les éléments 25, 26, 27, 28
 (acier inox 300 serie)
 Paquet S88-070 comprend les éléments 25, 26, 27, 28
 (acier inox 316)



Paquet couvertures à bascule (douche oculaire)
 S45-2675 comprend les éléments 22 et 23

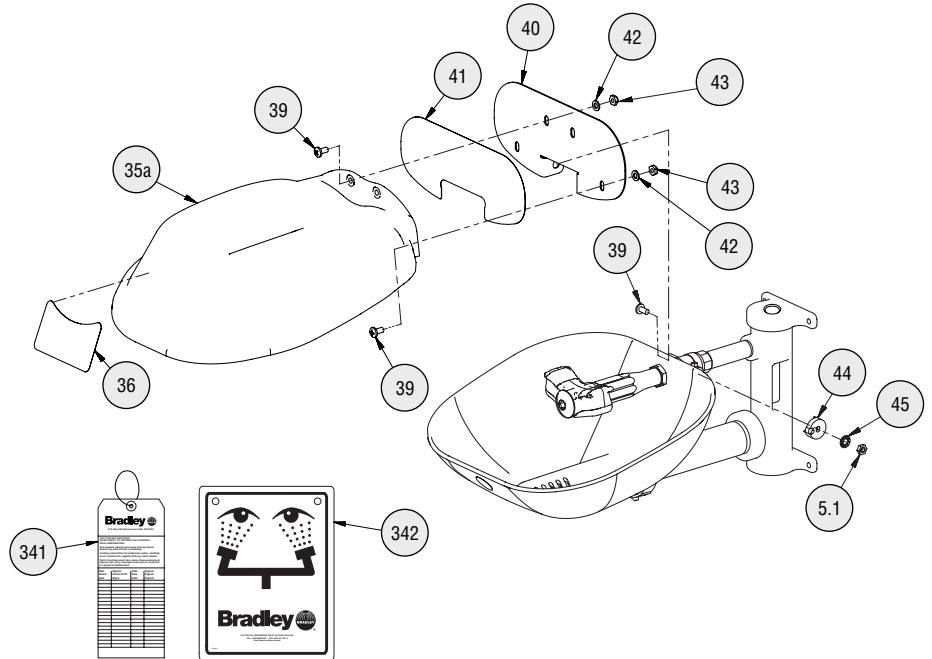
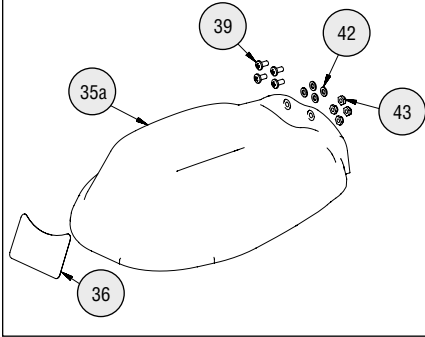


Paquet couvertures à bascule (douche oculaire/ faciale)
 S45-2676 comprend les éléments 22, 24a et 24b



Pièces de remplacement — Couvercle plastique

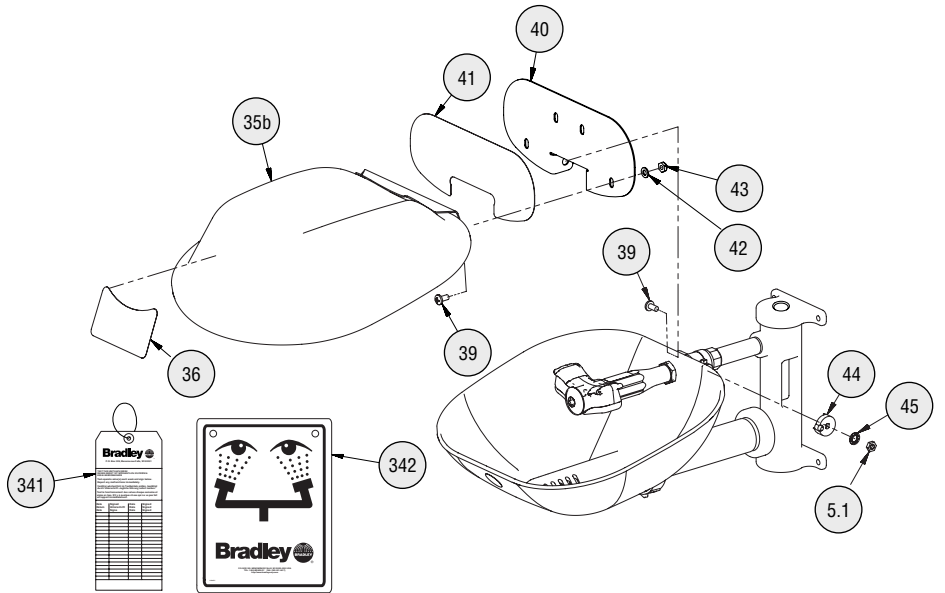
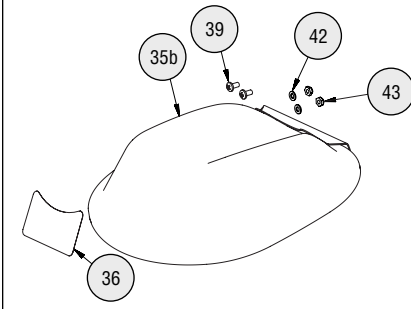
Paquet couvercle plastique S90-390 comprend les éléments 35a, 36, 39, 42, 43



Pièces de remplacement — Couvercle acier inox

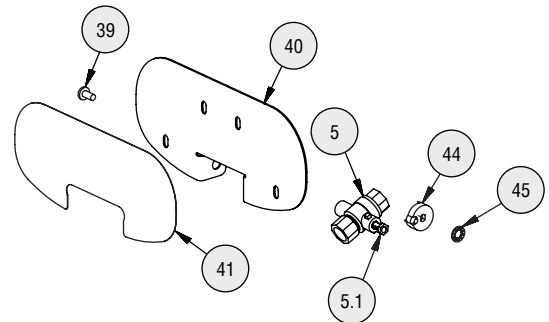
Paquet couvercle acier inox S90-388 comprend les éléments 35b, 36, 39, 42, 43

Paquet couvercle acier inox (316) S90-389 comprend les éléments 35b, 36, 39, 42, 43



Paquets manette comprend les éléments 39, 40, 41, 44, 45, 5, 5.1

- Paquet S08-390 (pour les unités avec robinet laiton)
- Paquet S08-391 (pour les unités avec robinet acier inox)
- Paquet S08-392 (pour les unités avec vanne antigel laiton)
- Paquet S08-393 (pour les unités avec vanne antigel acier inox)
- Paquet S08-394 (pour les unités avec robinet et manette acier inox 316)
- Paquet S08-395 (pour les unités avec vanne antigel et manette acier inox 316)



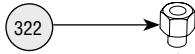
Liste des pièces — Douche oculaire, Douche oculaire/faciale, et couvercle

Pièce	Réf.	Qté.	Description	Item	Part No.	Qty	Description
20	171-001	1	Corps	26	125-157	2	Bague
20	171-002	1	Corps acier inox	27	125-175	1	Contrôle du débit
20	171-003	1	Corps acier inox 316	28	S65-340	1	Filtrer (paquet de 3)
20	171-004	1	Corps poli	35a	kit de remplacement	1	Couvercle plastique
21a	S05-190	1	Douche oculaire (comprend)	35b	kit de remplacement	1	Couvercle acier inox
22	kit de remplacement	2	Axe de pivotement	35b	kit de remplacement	1	Couvercle acier inox 316
23	kit de remplacement	2	Couverture à bascule	36	114-097	1	Étiquette (pour couvercle)
21b	S05-192	1	Douche oculaire (comprend)	39	160-389	qté. au besoin	Vis ¼-20 x ½" acier inox
22	kit de remplacement	2	Axe de pivotement	39	160-469	qté. au besoin	Vis ¼-20 x ½" acier inox 316
24a	kit de remplacement	1	Couverture à bascule droite	40	S08-385	1	Manette acier inox (incl. les éléments 41, 44, 45, 5.1)
24b	kit de remplacement	1	Couverture à bascule gauche	40	S08-388	1	Manette acier inox 316 (incl. les éléments 41, 44, 45, 5.1)
21f	S05-204	1	Tête de douche en acier inoxydable 304 oculaire/faciale (comprend)	41	114-096	1	Étiquette
22	kit de remplacement	2	Axe de pivotement	42	142-002AV	qté. au besoin	Rondelle
24a	kit de remplacement	1	Couverture à bascule droite	43	161-060	qté. au besoin	Écrou acier inox
24b	kit de remplacement	1	Couverture à bascule gauche	43	161-062	qté. au besoin	Écrou acier inox 316
21j	S05-205	1	Tête de douche en acier inoxydable 316 oculaire/faciale (comprend)	44	153-372R	1	Adaptateur robinet
22	kit de remplacement	2	Axe de pivotement	44	153-372R316	1	Adaptateur robinet acier inox 316
24a	kit de remplacement	1	Couverture à bascule droite	45	142-002DA	1	Rondelle de blocage
24b	kit de remplacement	1	Couverture à bascule gauche	341	204-421	1	Étiquette d'inspection
25	115-158	1	Bouchon	342	114-051	1	Enseigne de sécurité
25	115-159	1	Bouchon acier inox	342	114-051E	1	Enseigne de sécurité (not available in the U.S.)
25	115-164	1	Bouchon acier inox 316				
25	115-165	1	Bouchon poli				

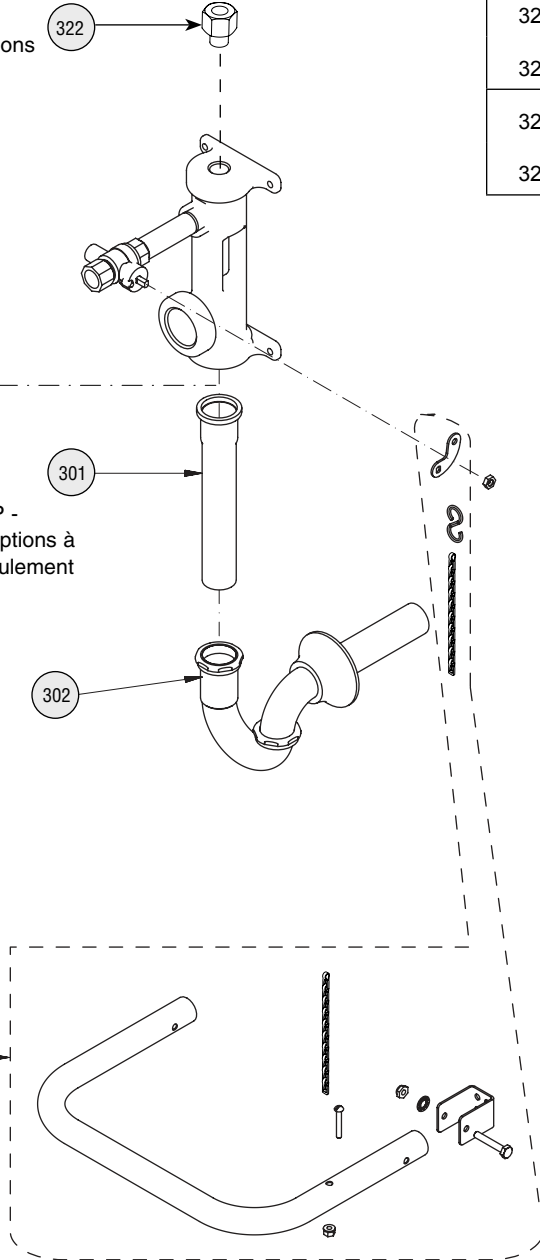
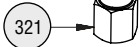
Pièces de remplacement et liste des pièces — Drain, siphon en P et pédale en option

Item	Part No.	Qty	Description
301	269-167	1	Pièce de raccordement
302	269-142	1	Siphon en P
310	S39-395	1	Pédale
321	169-1117	1	BSPP-NPT 1-1/4" 303SS
321	169-1118	1	BSPP-NPT 1-1/4" 316SS
322	169-1119	1	BSPP-NPT 1/2" 303SS
322	169-1120	1	BSPP-NPT 1/2" 316SS

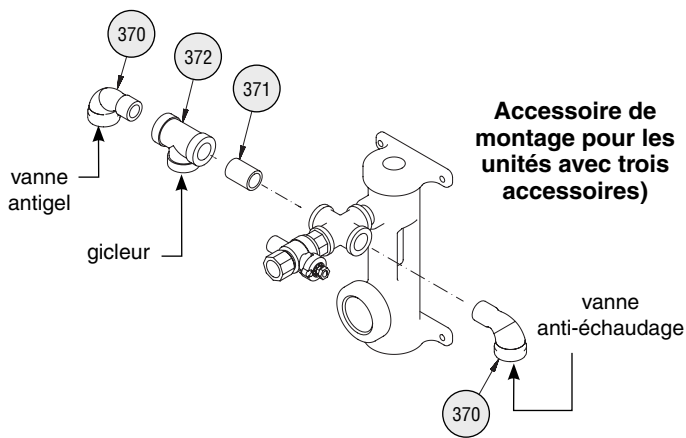
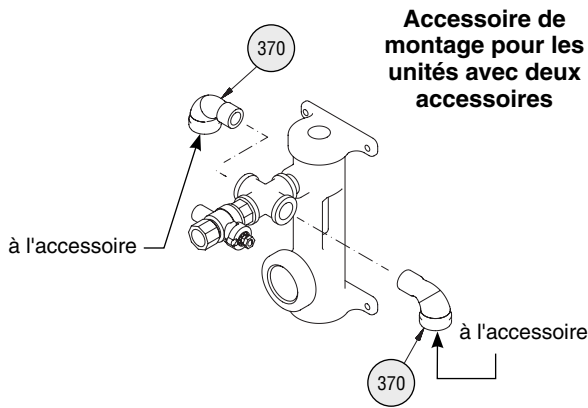
Adaptateur BSPP -
Fourni avec les options
à filetage BSPP
seulement



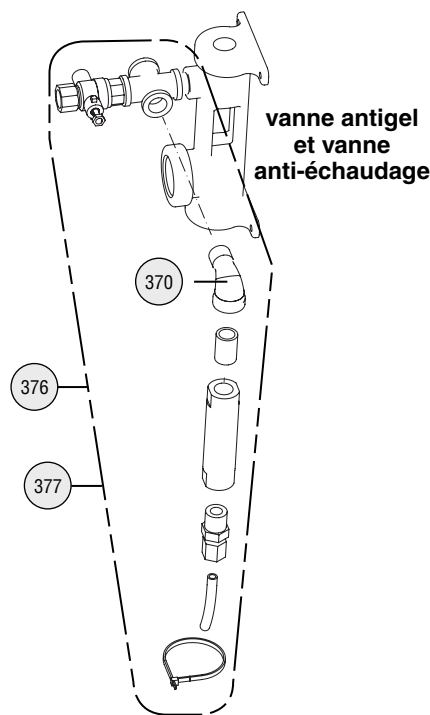
Adaptateur BSPP -
Fourni avec les options à
filetage BSPP seulement



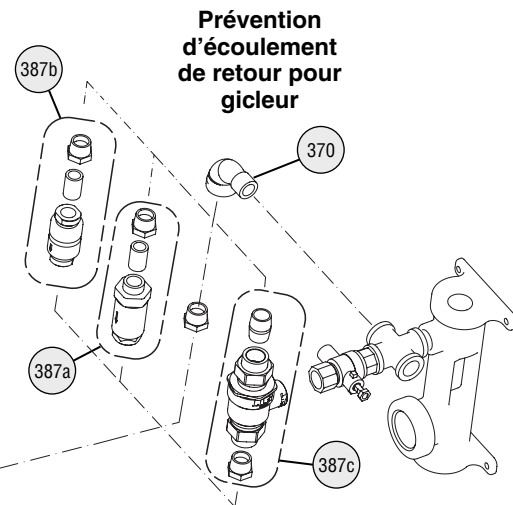
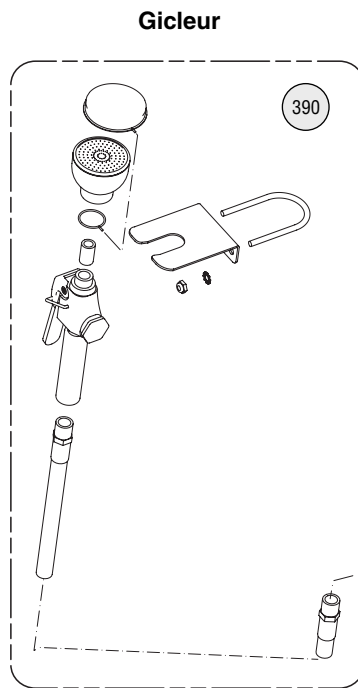
Pièces de remplacement — Accessoires en option



Pièce	Réf.	Qté.	Description
370	169-025		Coude 1/2" (qté. au besoin)
370	269-241		Coude 1/2" acier inox (qté. au besoin)
370	269-1396		Coude 1/2" acier inox 316 (qté. au besoin)
370	169-862		Coude 1/2" chromé (qté. au besoin)
371	113-006LG	1	Tuyau 1/2" x ferme
371	113-867	1	Tuyau 1/2" x ferme acier inox
371	113-1210	1	Tuyau 1/2" x ferme acier inox 316
371	113-006AW	1	Tuyau 1/2" x ferme chromé
372	169-838	1	Té 1/2"
372	169-1100	1	Té 1/2" acier inox
372	269-280	1	Té 1/2" chromé
372	169-1099	1	Té 1/2" acier inox 316



Pièce	Réf.	Description
376	S45-1986	Vanne antigel
377	S45-1989	Vanne anti-échaudage



Pièce	Réf.	Qté.	Description
387a	S27-303	1	Prévention des casse-vides 3/8"
387b	S45-2309	1	Prévention d'écoulement de retour N9
387c	S45-2310	1	Prévention d'écoulement de retour 9D
390	S19-430EH	1	Gicleur

IMPORTANTE

La instalación y ubicación de todas las duchas, lavaojos y lavaojos/lavacara de seguridad deben cumplir con los requisitos de ANSI Z358.1.

Los equipos de emergencia deben contar con agua tibia (entre 15,6 °C y 37,8 °C). Cualquier exposición prolongada a aguas bajo cero afecta la capacidad del cuerpo para mantener su temperatura, lo que incrementa el riesgo de hipotermia.

Antes de instalar este producto, asegúrese de que haya espacio adecuado alrededor del producto y de que su activación no interfiera con otros productos u obstrucciones.

Lea en su totalidad este manual de instalación para garantizar una instalación adecuada. Una vez que termine la instalación, entregue este manual al propietario o al Departamento de Mantenimiento. Es responsabilidad de quien instale el equipo cumplir con los códigos para desagüe y otros códigos y ordenanzas locales.

Separar todas las piezas del material de embalaje y asegurarse que todas las piezas estén incluidas antes de desechar cualquier material de embalaje.

Aclarar el conducto del suministro de agua antes y después de la instalación. Verificar que no haya fugas y que el flujo de agua sea adecuado. El suministro principal de agua a la unidad debe estar siempre en posición "ON" (abierto). Se deben tomar medidas a fin de evitar el corte no autorizado del suministro.

La norma ANSI Z358.1 exige un suministro ininterrumpido de líquido de limpieza. Los equipos de emergencia con tuberías de Bradley requieren una presión de flujo mínima de 0,21 MPa (30 PSI).

Las válvulas con funcionamiento a resorte de autocerrado no cuentan con clasificación UL para ANSI Z358.1.

Se deben llevar a cabo activaciones semanales de todos los equipos de emergencia conectados a la plomería para garantizar que hay un suministro de líquido de limpieza adecuado presente y liberar la tubería de suministro de cualquier acumulación de sedimento. Los equipos de emergencia se deben inspeccionar mensualmente para solucionar cualquier problema de mantenimiento; esto garantizará que los equipos están en buenas condiciones de funcionamiento y que no hay señales de desgaste.

Los trabajadores que puedan tener contacto con materiales potencialmente peligrosos deben recibir capacitación sobre la ubicación y operación adecuada de los equipos de emergencia en conformidad con la norma ANSI Z358.1.

Para consultas sobre la operación o instalación de este producto, visite www.bradleycorp.com o llame al 1-800-BRADLEY.

Las garantías del producto se pueden encontrar en "Información del producto" o en nuestro sitio Web, www.bradleycorp.com.

AVISO Evite los limpiadores que contengan solventes orgánicos, alcoholes e hidrocarburos. Enjuague con agua después de limpiar.

Materiales necesarios:

- (4) anclas y pernos de ¼"
- Sellador de tubería
- Presión de flujo mín. de 2,0 bar (30 psi) y máx. de 6,1 bar (90 psi)
- Presión estática máx. de 8,6 bar (125 psi)
- Tubería hacia entrada de suministro de agua de ½" NPT (BSPP) (2,0 – 6,2 bar [30 – 90 psi])
- Tubería a la salida del desagüe NPT a 1 ¼" (si se incluye con la unidad)
- OPCIONAL: Tornillería para montar el aviso de seguridad
- Cinta de teflón certificada por la DVGW (solo para modelos certificados por la DVGW)



Los códigos locales pueden exigir la instalación de una válvula de prevención de contraflujo para completar la instalación correcta. La conformidad con los códigos locales es de responsabilidad del instalador. La válvula se debe probar anualmente para verificar que funcione de manera correcta. Las válvulas de prevención de contraflujo no se incluyen con el accesorio y las puede proporcionar el contratista o las puede comprar en Bradley Corporation.

Modelos preconfigurados Halo

Número de modelo Halo	Descripción	Certificación UL según ANSI/ISEA	Certificación Intertek según normas EN
Lavaojos			
<input type="checkbox"/> S19224EW	Lavaojos Halo, palangana de plástico	X	X
<input type="checkbox"/> S19224PT	Lavaojos Halo, palangana de plástico, sifón en P	X	X
<input type="checkbox"/> S19224B	Lavaojos Halo, palangana de acero inoxidable	X	X
<input type="checkbox"/> S19224BPT	Lavaojos Halo, palangana de acero inoxidable, sifón en P	X	X
Lavaojos con cubierta contra el polvo			
<input type="checkbox"/> S19224PDC	Lavaojos Halo, palangana de plástico con cubierta contra el polvo	X	X
<input type="checkbox"/> S19224DC	Lavaojos Halo, palangana de acero inoxidable y cubierta contra el polvo con bisagras	X	X
<input type="checkbox"/> S19224DCPT	Lavaojos Halo, palangana de acero inoxidable y cubierta contra el polvo con bisagras, sifón en P	X	X
Lavaojos/lavacara			
<input type="checkbox"/> S19224FW	Lavaojos/lavacara Halo, palangana de plástico	X	X
<input type="checkbox"/> S19224FWPT	Lavaojos/lavacara Halo, palangana de plástico, sifón en P	X	X
<input type="checkbox"/> S19224T	Lavaojos/lavacara Halo, palangana de acero inoxidable	X	X
<input type="checkbox"/> S19224P	Lavaojos/lavacara Halo, palangana de acero inoxidable con rociador de manguera, tubo de aspiración	X	X
<input type="checkbox"/> S19224TPT	Lavaojos/lavacara Halo, palangana de acero inoxidable, sifón en P	X	X
<input type="checkbox"/> S19224Y	Lavaojos/lavacara Halo, palangana de acero inoxidable, operado mediante mano/pie, tubo de aspiración	X	X
Lavaojos/lavacara con cubiertas contra el polvo			
<input type="checkbox"/> S19224PDCFW	Lavaojos/lavacara Halo, palangana de plástico con cubierta contra el polvo	X	X
<input type="checkbox"/> S19224DCFW	Lavaojos/lavacara Halo, palangana de acero inoxidable y cubierta contra el polvo con bisagras	X	X
<input type="checkbox"/> S19224DCRPT	Lavaojos/lavacara Halo, palangana de acero inoxidable y cubierta contra el polvo con bisagras, sifón en P	X	X
Lavaojos/lavacara completamente de acero inoxidable			
<input type="checkbox"/> S19224SC	Lavaojos/lavacara, palangana y cubierta de acero inoxidable Halo	X	X
<input type="checkbox"/> S19224SS	Lavaojos/lavacara Halo y palangana de acero inoxidable	X	X



Modelos con rosca BSPP disponibles. Para rosca BSPP, agregue una Z al final del número de pieza existente. Por ejemplo, S19224EW quedará como S19224EWZ.

Modelos preconfigurados Halo

Todos los modelos con certificación AS4775 y AS/NZS 4020 incluyen material de tuberías de acero inoxidable con rosca BSPP.

Número de modelo Halo	Descripción	Certificación IAPMO Oceana según AS4775 y AS4020
Lavaojos		
<input type="checkbox"/> S19224EWZS	Lavaojos Halo, palangana de plástico	X
<input type="checkbox"/> S19224PTZS	Lavaojos Halo, palangana de plástico, sifón en P	
<input type="checkbox"/> S19224BZS	Lavaojos Halo, palangana de acero inoxidable	X
<input type="checkbox"/> S19224BPTZS	Lavaojos Halo, palangana de acero inoxidable, sifón en P	
Lavaojos con cubierta contra el polvo		
<input type="checkbox"/> S19224PDCZS	Lavaojos Halo, palangana de plástico con cubierta contra el polvo	X
<input type="checkbox"/> S19224DCZS	Lavaojos Halo, palangana de acero inoxidable y cubierta contra el polvo con bisagras	X
<input type="checkbox"/> S19224DCPTZS	Lavaojos Halo, palangana de acero inoxidable y cubierta contra el polvo con bisagras, sifón en P	
Lavaojos/lavacara		
<input type="checkbox"/> S19224FWZS	Lavaojos/lavacara Halo, palangana de plástico	X
<input type="checkbox"/> S19224FWPTZS	Lavaojos/lavacara Halo, palangana de plástico, sifón en P	
<input type="checkbox"/> S19224TZS	Lavaojos/lavacara Halo, palangana de acero inoxidable	X
<input type="checkbox"/> S19224TPTZS	Lavaojos/lavacara Halo, palangana de acero inoxidable, sifón en P	
<input type="checkbox"/> S19224YZS	Lavaojos/lavacara Halo, palangana de acero inoxidable, operado mediante mano/pie, tubo de aspiración	X
Lavaojos/lavacara con cubiertas contra el polvo		
<input type="checkbox"/> S19224PDCFWZS	Lavaojos/lavacara Halo, palangana de plástico con cubierta contra el polvo	X
<input type="checkbox"/> S19224DCFWZS	Lavaojos/lavacara Halo, palangana de acero inoxidable y cubierta contra el polvo con bisagras	X
<input type="checkbox"/> S19224DCRPTZS	Lavaojos/lavacara Halo, palangana de acero inoxidable y cubierta contra el polvo con bisagras, sifón en P	
Lavaojos/lavacara completamente de acero inoxidable		
<input type="checkbox"/> S19224SCZ	Lavaojos/lavacara, palangana y cubierta de acero inoxidable Halo	X
<input type="checkbox"/> S19224SSZ	Lavaojos/lavacara Halo y palangana de acero inoxidable	X

Configuración del producto

Selecciones estándares (se debe seleccionar una de cada categoría)

Configuración

- 0** Soporte en pared estándar

Material de la tubería

- A** Acero inox NPT galvanizado con amarillo BradTect®
- B** Acero inox 304 NPT
- C** Acero inox 316 NPT
- D** Latón cromado NPT
- F** BSPP, Acero inox galvanizado con amarillo BradTect® ‡
- G** BSPP, Acero inox 304 ‡
- J** BSPP, Latón cromado ‡

Válvula

- 1** Abertura continua (lavajos), latón cromado
- 2** Abertura continua (lavajos), acero inox 316

Lavajos - lavajos/rostro

- A** Lavajos Halo
- B** Lavajos/rostro Halo
- D** Lavajos Halo, horquilla acero inox 304 NPT
- E** Lavajos/rostro Halo, horquilla acero inox 304 NPT
- F** Lavado ocular y facial de acero inoxidable 304 Halo, horquilla acero inox 304 NPT
- G** Lavajos Halo, horquilla acero inox 316 NPT
- H** Lavajos/rostro Halo, horquilla acero inox 316 NPT
- J** Lavado ocular y facial de acero inoxidable 316 Halo, horquilla acero inox 316 NPT

Receptor y cubierta contrapolvo

- A** Receptor plástico, sin cubierta contrapolvo
- B** Receptor plástico, cubierta contrapolvo plástico
- D** Receptor acero inox 304, sin cubierta contrapolvo
- E** Receptor acero inox 304, cubierta contrapolvo acero inox 304
- F** Receptor acero inox 304, cubierta contrapolvo plástico
- G** Receptor acero inox 316, sin cubierta contrapolvo
- H** Receptor acero inox 316, cubierta contrapolvo acero inox 316
- J** Receptor acero inox 316, cubierta contrapolvo plástico
- 0** Sin receptor, sin cubierta contrapolvo

Activación

- A** Manija acero inox 304
- B** Manija acero inox 316
- D** Manija acero inox 304 con pedal acero inox*

Desecho

- A** Pièce de raccordement
- D** Siphon en P
- 0** Pas de vidange

Rociador y prevención de contraflujo

- A** Rociador con interruptor de vacío
- B** Rociador con prevención de contraflujo N9
- C** Rociador con prevención de contraflujo 9D
- D** Rociador sin prevención de contraflujo
- 0** Sin rociador, sin prevención de contraflujo

Protección contra congelamiento y contra quemaduras

- N** Válvulas de protección contra congelamiento
- P** Válvulas de protección contra quemaduras
- R** Válvulas de protección contra congelamiento y contra quemaduras
- 0** Sin válvulas de protección contra congelamiento, sin válvulas de protección contra quemaduras

* No disponible con configuraciones de instalaciones para minusválidos.

‡ No disponible en los Estados Unidos.

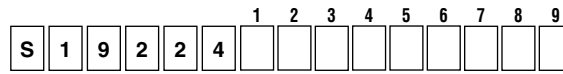
NPT = National Pipe Thread (Estándar nacional de roscas para tuberías)

BSPP = Estándar británico de roscas paralelas para tuberías (no disponible en los Estados Unidos)

Todas las selecciones hechas a través del configurador están únicamente certificadas por UL conforme a la norma ANSI Z358.1

Cómo especificar el modelo y las configuraciones de los productos Bradley:

Modelo No. S19224



1. Configuración

2. Material de la tubería

3. Válvula

4. Lavajos - lavajos/rostro

5. Receptor y cubierta contrapolvo

6. Activación

7. Desecho

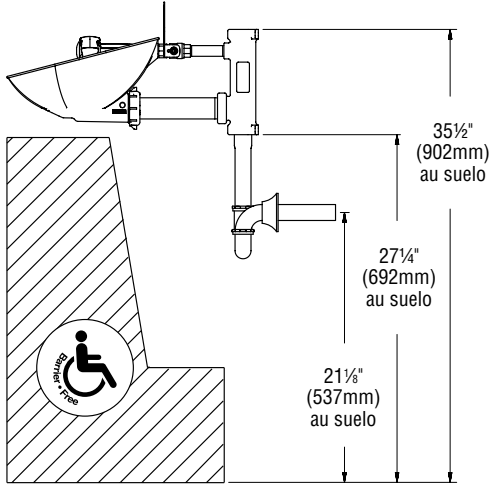
8. Rociador y prevención de contraflujo

9. Protección contra congelamiento y contra quemaduras

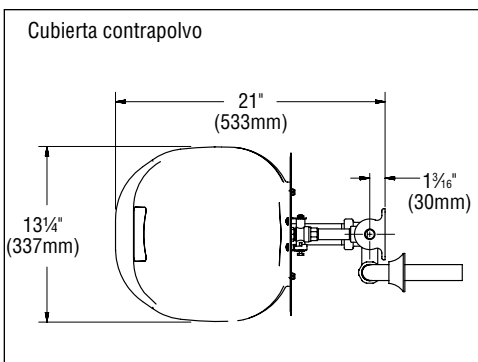
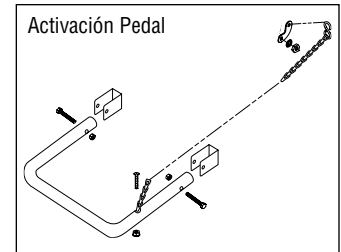
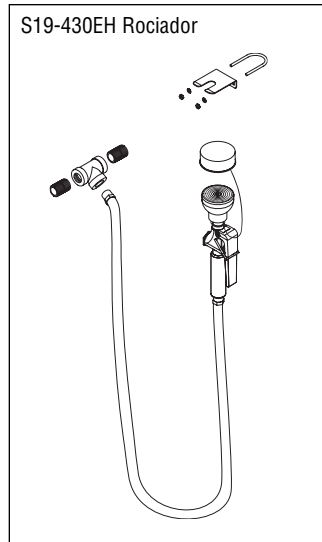
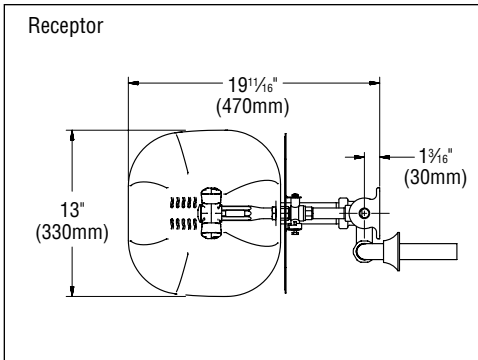
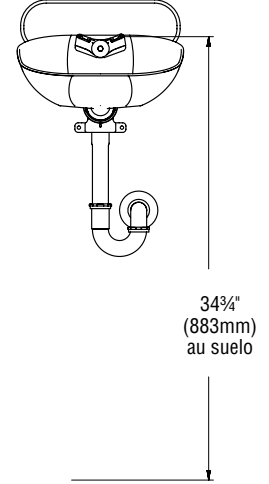
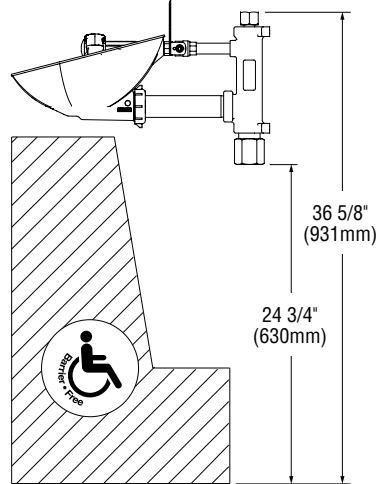
Dimensiones

S19224 se muestra con receptor plástico

NPT Connections



BSPP Connections



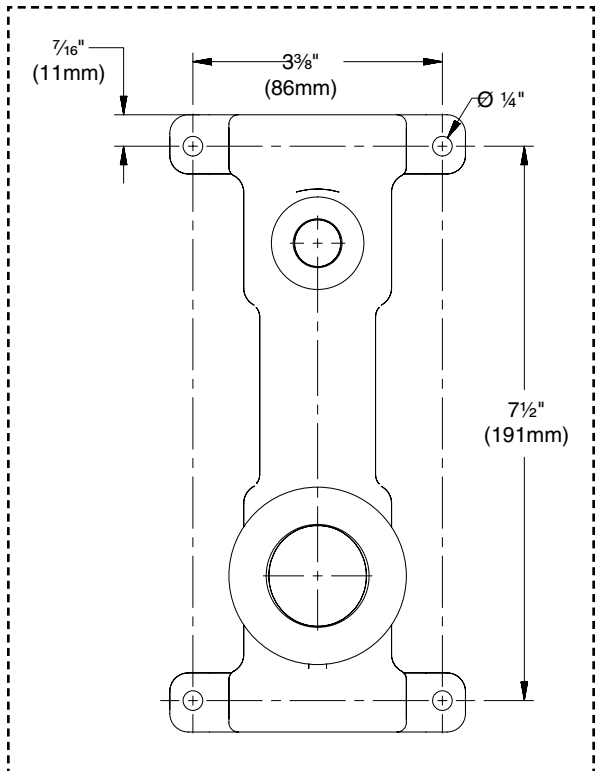
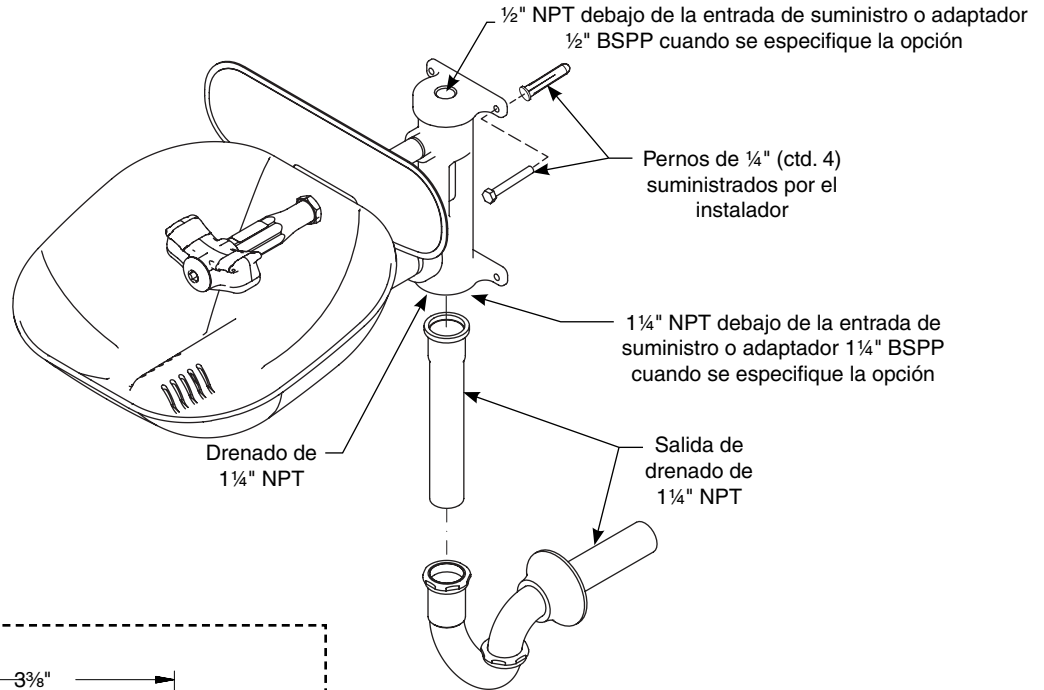
El flujo del agua

Lavaojos	4-5 1/4 gpm
Lavaojos/rostro	4-5 1/4 gpm
Lavado de cuerpo	2-8 gpm

Todas las dimensiones asumen el enganche de rosca estándar. Las variaciones en la fabricación permiten +/- 3,1 mm (1/8") por junta roscada. Para encontrar la tolerancia de una dimensión, agregue el número de juntas roscadas entre una dimensión y multiplíquelo por 3,1 mm (1/8").

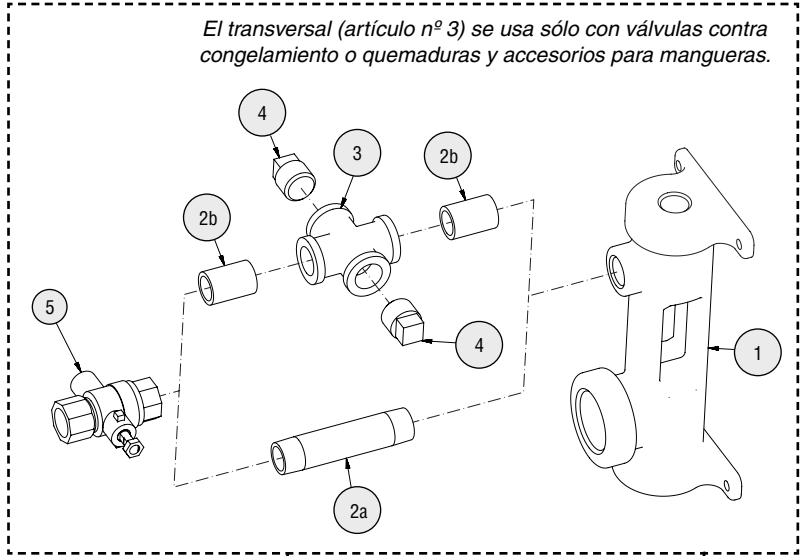
1 Montaje — Lavaojos

- ✓ Se muestra una unidad lavaojos estándar. Las otras unidades son similares.
- ✓ Usar una almohadilla de agarre alrededor de la tubería al apretar para evitar estropearla.
- ✓ Aplicar sellador de tubería a todas las juntas de tubería de rosca macho. No deje que el sellador se derrame sobre el borde de los tubos.
- ✓ BSPP = Estándar británico de roscas paralelas para tuberías (no disponible en los Estados Unidos)

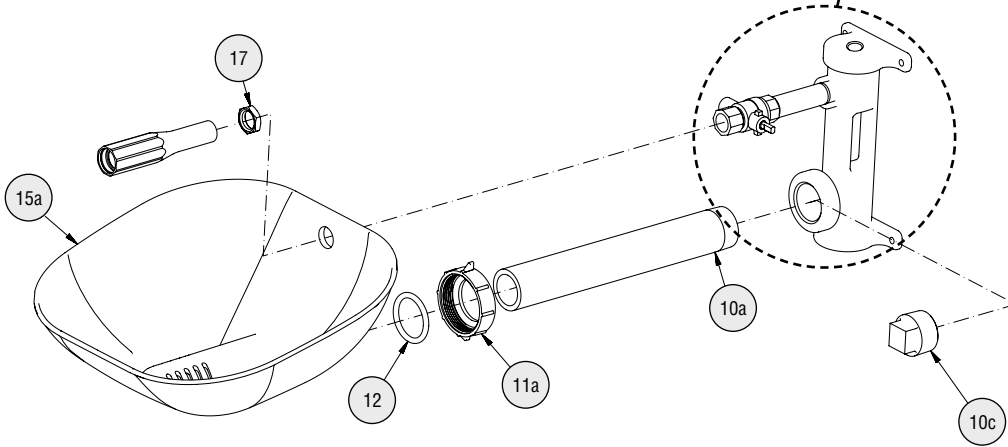


Piezas de repuestor — Receptor y buje

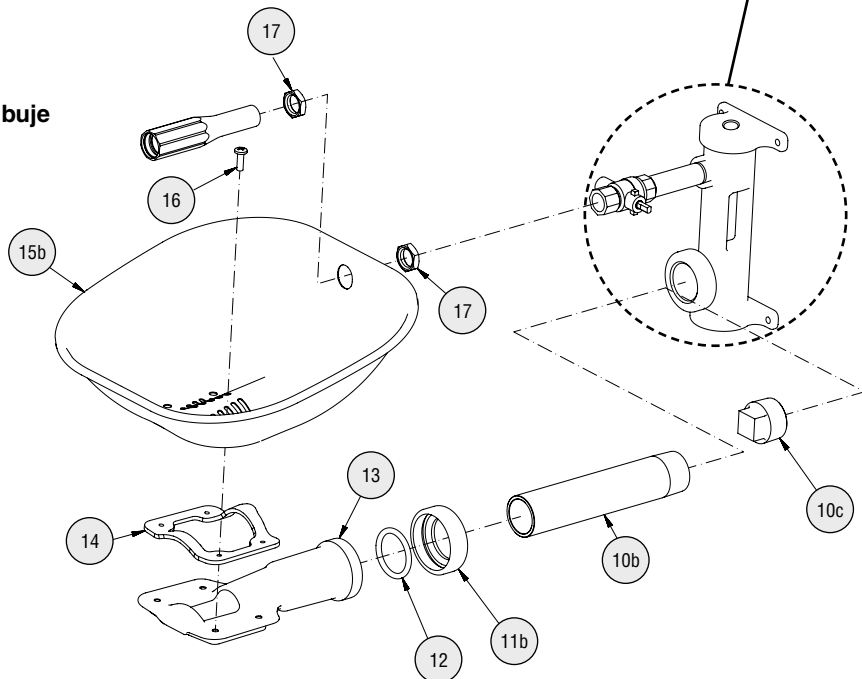
El transversal (artículo n° 3) se usa sólo con válvulas contra congelamiento o quemaduras y accesorios para mangueras.



Receptor plástico con buje



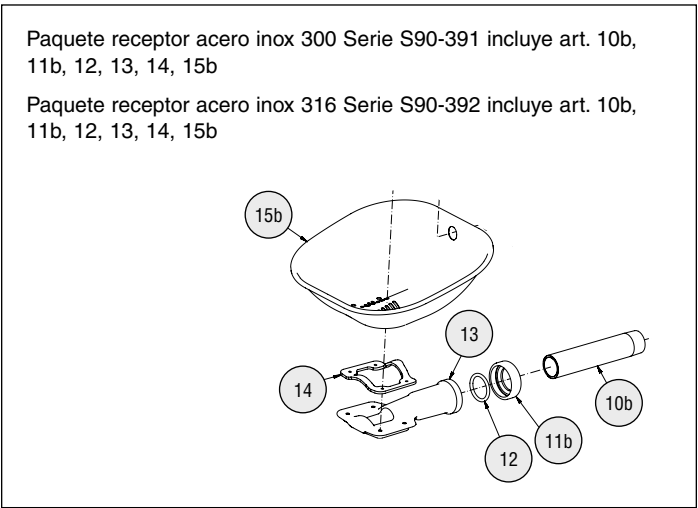
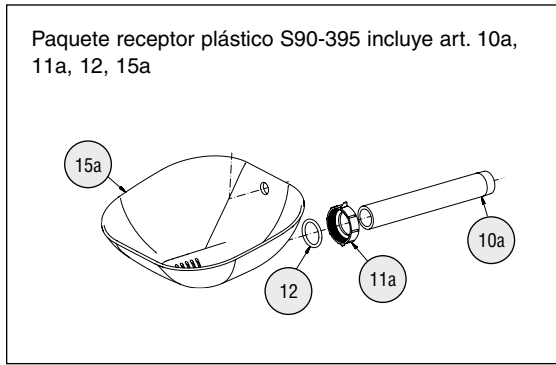
Receptor acero inox con buje



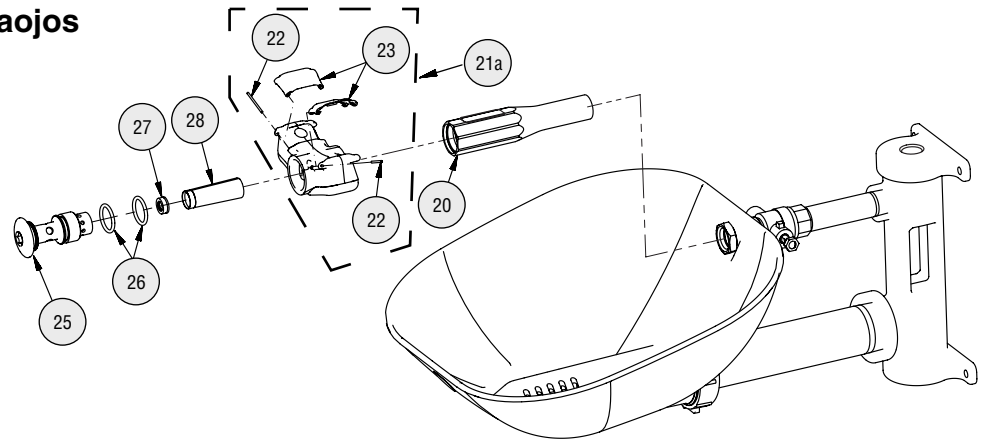
Lista de piezas — Receptor y buje

BSP = British Standard Pipe Thread (Estándar británico de roscas para tuberías) (No disponible en los Estados Unidos)

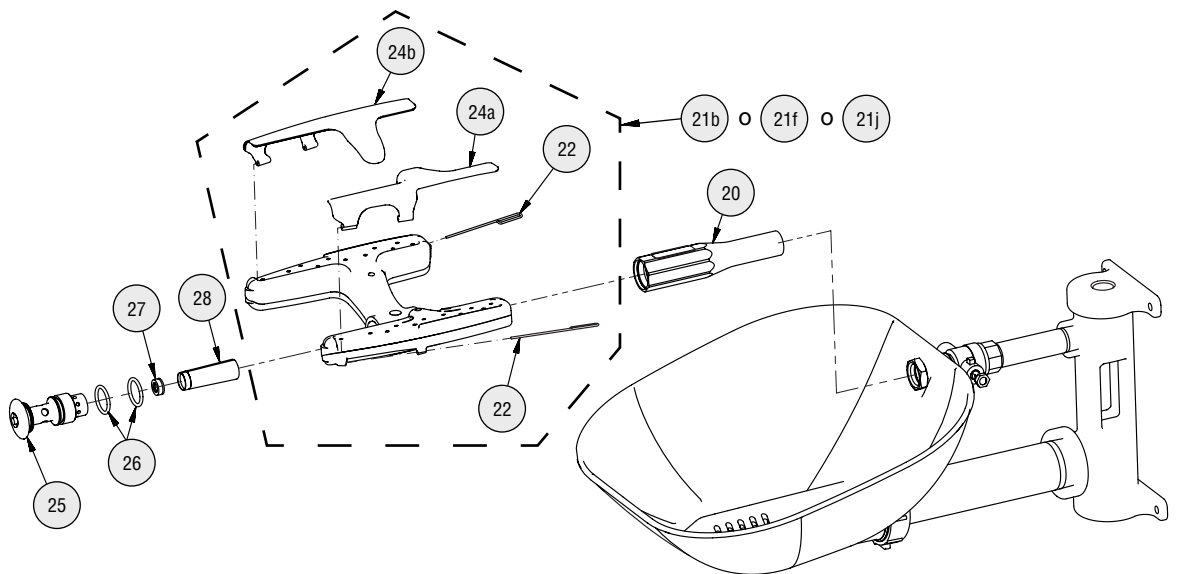
Art.	Pieza No.	Ctd.	Descripción	Art.	Pieza No.	Ctd.	Descripción
1	111-096	1	Buje	10a	113-1202	1	Tubería 1¼" x 11" rosca extremo
1	111-097	1	Buje acero inox	10a	113-1203	1	Tub. 1¼" x 11" acero inox rosca extremo
1	111-103	1	Buje acero inox 316	10b	113-1204	1	Tubería 1¼" x 7" rosca extremo
1	111-098	1	Buje acero inox pulido	10b	113-1205	1	Tubería 1¼" x 7" acero inox rosca extremo
2a	113-006LQ	1	Tubería ½" x 3½"	10b	113-1206	1	Tub. 1¼" x 7" cromado rosca extremo
2a	113-965	1	Tubería ½" x 3½" acero inox	10b	113-1212	1	Tub. 1¼" x 7" acero inox 316 rosca extremo
2a	113-1211	1	Tubería ½" x 3½" acero inox 316	10c	169-724	1	Tápon 1¼" pintado galvanizado
2a	113-596	1	Tubería ½" x 3½" cromado	10c	269-251	1	Tápon 1¼" cromado
2b	113-006LG	2	Tubería ½" x rosca exterior	10c	269-238	1	Tápon 1¼" acero inox
2b	113-867	2	Tubería ½" x rosca exterior en acero inox	10c	269-1402	1	Tápon 1¼" acero inox 316
2b	113-1210	2	Tubería ½" x rosca exterior en acero inox 316	11a	110-239	1	Tuerca, plástico
2b	113-006AW	2	Tubería ½" x rosca exterior cromado	11b	110-240	1	Tuerca, acero inox
3	169-1090	1	Transversal ½"	11b	110-242	1	Tuerca, acero inox 316
3	169-1091	1	Transversal ½" acero inox	12	125-176	1	Arosello
3	169-1098	1	Transversal ½" acero inox 316	13	111-099	1	Soporte Receptor aluminio
3	169-1097	1	Transversal ½" cromado	13	111-100	1	Soporte Receptor pintado aluminio
4	300-0393	2	Tápon ½" cromado	13	111-101	1	Soporte Receptor acero inox
4	153-230	2	Tápon ½" acero inox	13	111-102	1	Soporte Receptor acero inox 316
4	153-460	2	Tápon ½" acero inox 316	14	124-082	1	Junta
5	S27-327	1	Válvula ½" con tuerca	15a	187-320	1	Receptor plástico
5	S27-328	1	Válvula ½" acero inox 316 con tuerca	15b	S90-393	1	Receptor acero inox (incluye art. 14)
5	S27-329	1	Válvula de protección contra congelamiento ½" con tuerca	15b	S90-394	1	Receptor acero inox 316 (incluye art. 14)
5	S27-330	1	Válvula de protección contra quemaduras ½" con tuerca	16	160-467	4	Tornillo
5.1	110-215	1	Tuerca	17	110-115a		Tuerca ½" NPSM latón cromado (ctd. la req.)
5.1	110-248	1	Tuerca acero inox 316	17	110-238		Tuerca ½" NPSM acero inox (ctd. la req.)
				17	110-241		Tuerca ½" NPSM acero inox 316 (ctd. la req.)



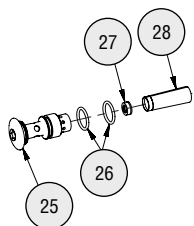
Piezas de repuesto — Lavajos



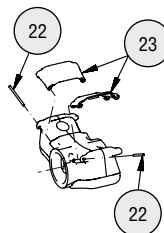
Piezas de repuesto — Lavajos/rostro



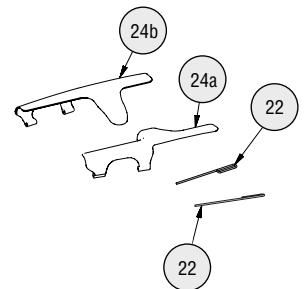
Paquete S65-339 incluye art. 26, 27, 28
 Paquete S88-068 incluye art. 25, 26, 27, 28
 Paquete S88-069 incluye art. 25, 26, 27, 28 (300 series ss)
 Paquete S88-070 incluye art. 25, 26, 27, 28 (316 ss)



Paquete tapa protectora lavajos S45-2675 incluye art. 22 and 23

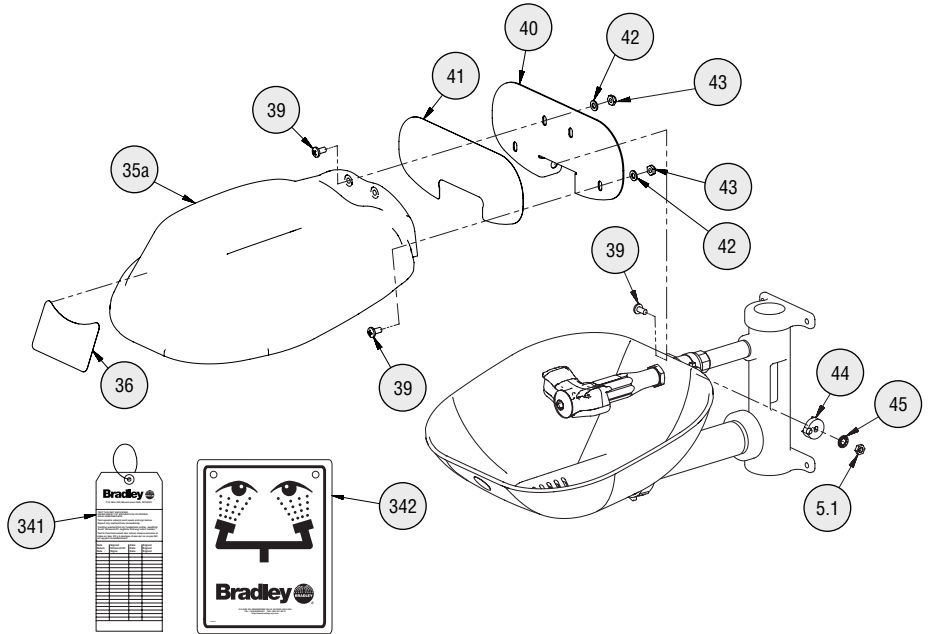
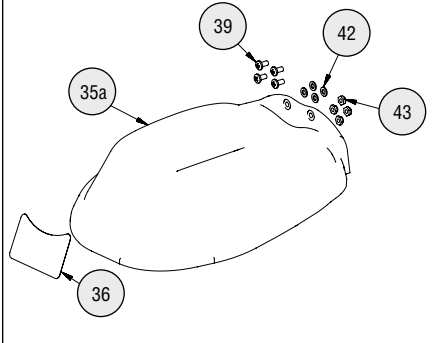


Paquete tapa protectora lavajos/rostro S45-2676 incluye art. 22, 24a and 24b



Piezas de repuesto — Cubierta contrapolvo plástico

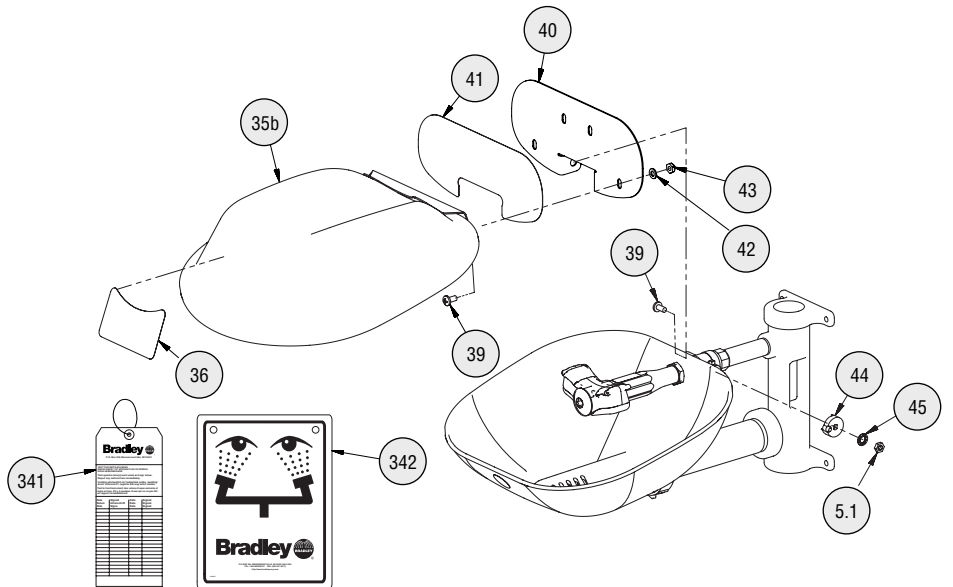
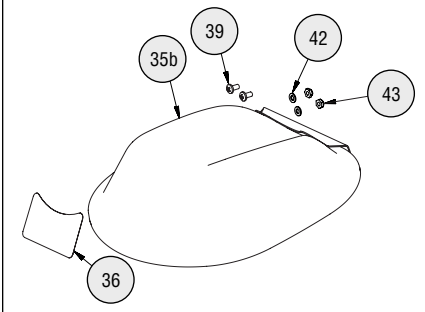
Paquete cubierta contrapolvo plástico S90-390 incluye art. 35a, 36, 39, 42, 43



Piezas de repuesto — Cubierta contrapolvo acero inox

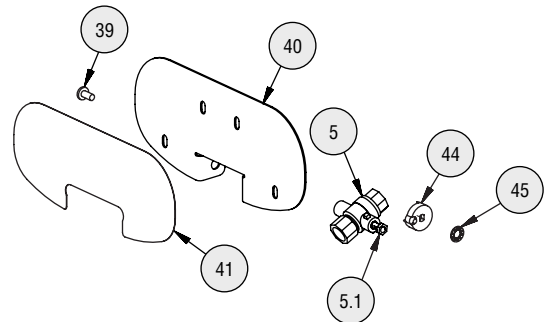
Paquete cubierta contrapolvo acero inox S90-388 incluye art. 35b, 36, 39, 42, 43

Paquete cubierta contrapolvo acero inox (316) S90-389 incluye art. 35b, 36, 39, 42, 43



Paquete Manija incluye art. 39, 40, 41, 44, 45, 5, 5.1

- Paquete S08-390 (para las unidades con válvula de latón)
- Paquete S08-391 (para las unidades con válvula de acero inox)
- Paquete S08-392 (para las unidades con válvula de protección contra congelamiento de latón)
- Paquete S08-393 (para las unidades con válvula de protección contra congelamiento de acero inox)
- Paquete S08-394 (para las unidades con válvula de acero inox 316 y manija)
- Paquete S08-395 (para las unidades con válvula de protección contra congelamiento de acero inox 316 y manija)



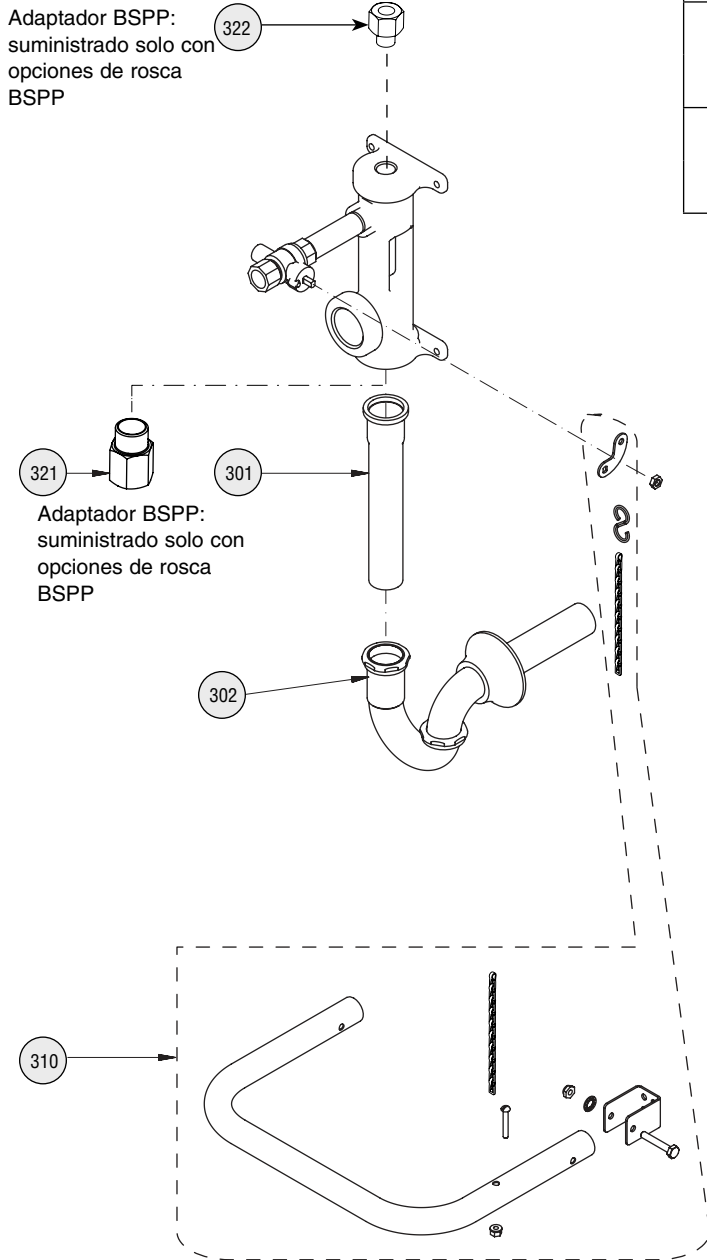
Lista de piezas — Lavaojos, lavaojos/rostro y cubierta

Art.	Pieza No.	Ctd.	Descripción
20	171-001	1	Cuerpo
20	171-002	1	Cuerpo acero inox
20	171-003	1	Cuerpo acero inox 316
20	171-004	1	Cuerpo pulido
21a	S05-190	1	Lavaojos (incluye)
22	juego de repuesto	2	Pasador de pivote
23	juego de repuesto	2	Tapa protectora
21b	S05-192	1	Lavaojos/rostro (incluye)
22	juego de repuesto	2	Pasador de pivote
24a	juego de repuesto	1	Tapa protectora derecha
24b	juego de repuesto	1	Tapa protectora izquierda
21f	S05-204	1	Conjunto de boquillas rociadoras de acero inoxidable 304 para ojos y cara (incluye)
22	juego de repuesto	2	Pasador de pivote
24a	juego de repuesto	1	Tapa protectora derecha
24b	juego de repuesto	1	Tapa protectora izquierda
21j	S05-205	1	Conjunto de boquillas rociadoras de acero inoxidable 316 para ojos y cara (incluye)
22	juego de repuesto	2	Pasador de pivote
24a	juego de repuesto	1	Tapa protectora derecha
24b	juego de repuesto	1	Tapa protectora izquierda
25	115-158	1	Tapa
25	115-159	1	Tapa acero inox
25	115-164	1	Tapa acero inox 316
25	115-165	1	Tapa pulido

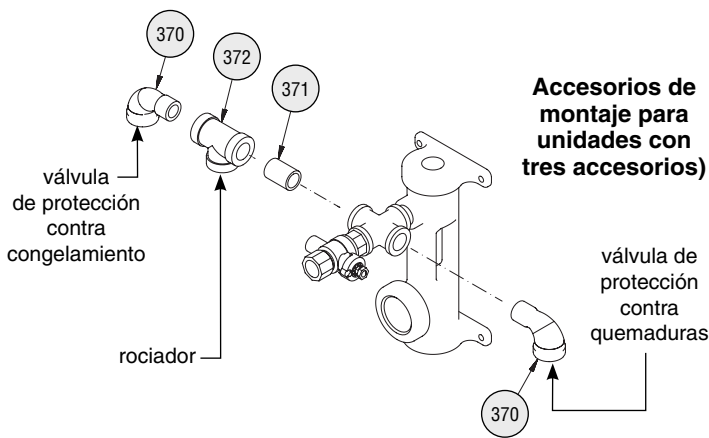
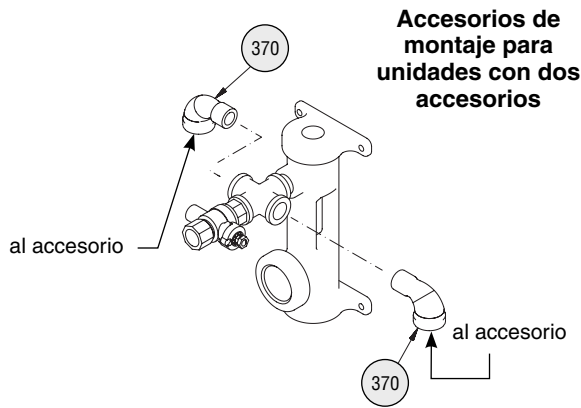
Art.	Pieza No.	Ctd.	Descripción
26	125-157	2	Arosello
27	125-175	1	Control del flujo
28	S65-340	1	Filtro (paquete de 3)
35a	juego de repuesto	1	Cubierta plástico
35b	juego de repuesto	1	Cubierta acero inox
35b	juego de repuesto	1	Cubierta acero inox 316
36	114-097	1	Etiqueta (cubierta)
39	160-389	ctd. la req.	Tornillo ¼-20 x ½" acero inox
39	160-469	ctd. la req.	Tornillo ¼-20 x ½" acero inox 316
40	S08-385	1	Manija acero inox (incluye art.) 41, 44, 45, 5.1)
40	S08-388	1	Manija acero inox 316 (incluye art.) 41, 44, 45, 5.1)
41	114-096	1	Etiqueta
42	142-002AV	ctd. la req.	Arandela
43	161-060	ctd. la req.	Tuerca acero inox
43	161-062	ctd. la req.	Tuerca acero inox 316
44	153-372R	1	Adaptador Válvula
44	153-372R316	1	Adaptador Válvula acero inox 316
45	142-002DA	1	Rondana de seguridad
341	204-421	1	Etiqueta de emergencia
342	114-051	1	Aviso de seguridad
342	114-015E	1	Aviso de seguridad (No disponible en los Estados Unidos)

Piezas de repuesto y ista de piezas — Drenaje, sifón en P y pedal

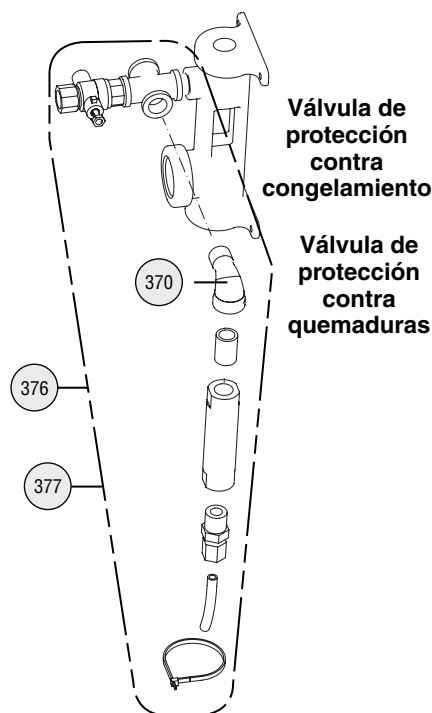
Art.	Pieza No.	Ctd.	Descripción
301	269-167	1	Tubo de aspiración
302	269-142	1	P-trap
310	S39-395	1	Pedal
321	169-1117	1	BSPP-NPT 1-1/4" 303SS
321	169-1118	1	BSPP-NPT 1-1/4" 316SS
322	169-1119	1	BSPP-NPT 1/2" 303SS
322	169-1120	1	BSPP-NPT 1/2" 316SS



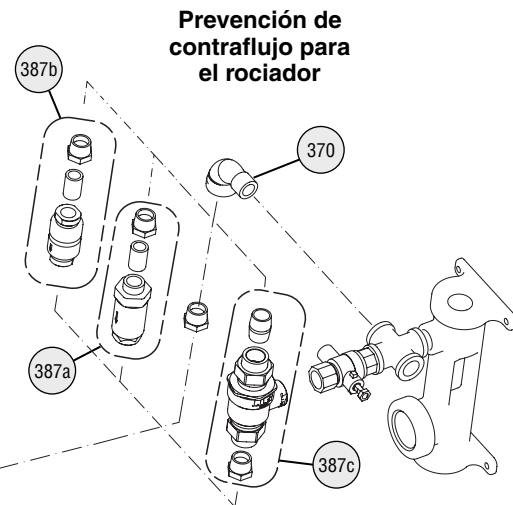
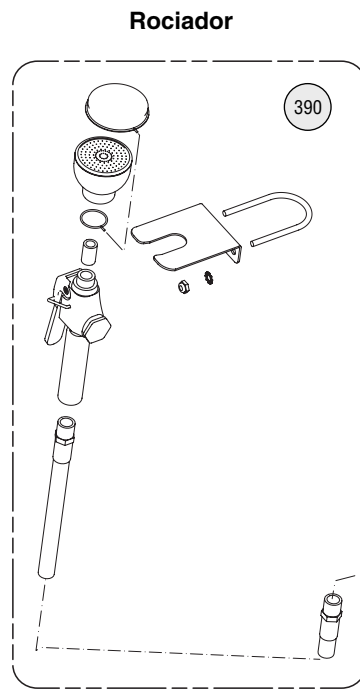
Piezas de repuesto — Accesorios opcionales



Art.	Pieza No.	Cant.	Descripción
370	169-025	la req.	Codo ½"
370	269-241	la req.	Codo ½" acero inox
370	269-1396	la req.	Codo ½" acero inox 316
370	169-862	la req.	Codo ½" cromado
371	113-006LG	1	Tubería ½" x cierre
371	113-867	1	Tubería ½" x cierre acier inox
371	113-1210	1	Tubería ½" x cierre acier inox 316
371	113-006AW	1	Tubería ½" x cierre cromado
372	169-838	1	T ½"
372	169-1100	1	T ½" acero inox
372	269-280	1	T ½" cromado
372	169-1099	1	T ½" acero inox 316



Art.	Pieza No.	Descripción
376	S45-1986	Válvula de protección contra congelamiento
377	S45-1989	Válvula de protección contra quemaduras



Art.	Pieza No.	Cant.	Descripción
387a	S27-303	1	Interrupción de vacío 3/8"
387b	S45-2309	1	Prevención de contraflujo N9
387c	S45-2310	1	Prevención de contraflujo 9D
390	S19-430EH	1	Rociador