

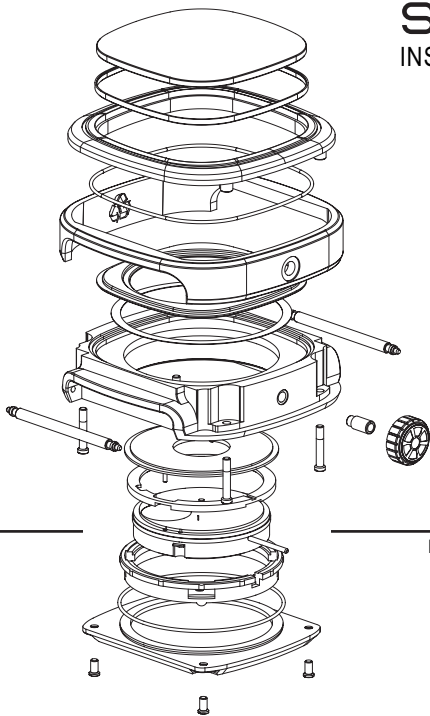
INDUSTRIAL SKILLS by:

SEVEN --- FRIDAY

S-SERIES

S-SERIES

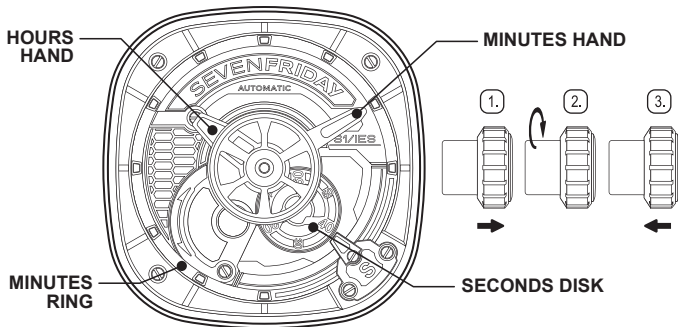
INSTRUCTION MANUAL



AUTOMATIC MOVEMENT

MIYOTA 82S5- MADE IN JAPAN

DISPLAY



WINDING THE MAINSPRING

Automatic winding watch can also be hand wound by turning the crown clockwise in normal position. Wind several times clockwise. It will start to move automatically.

SETTING THE TIME

1. Pull the crown out to the 1st click position.
2. Turn the crown to set hour and minute hands.
3. After the time has been set, push the crown back to the normal position.

WWW.SEVEN**FRIDAY**.COM

All rights reserved to SEVENFRIDAY®, unless stated otherwise, this manual is forbidden to be duplicated, published or modified for any purpose or reason.