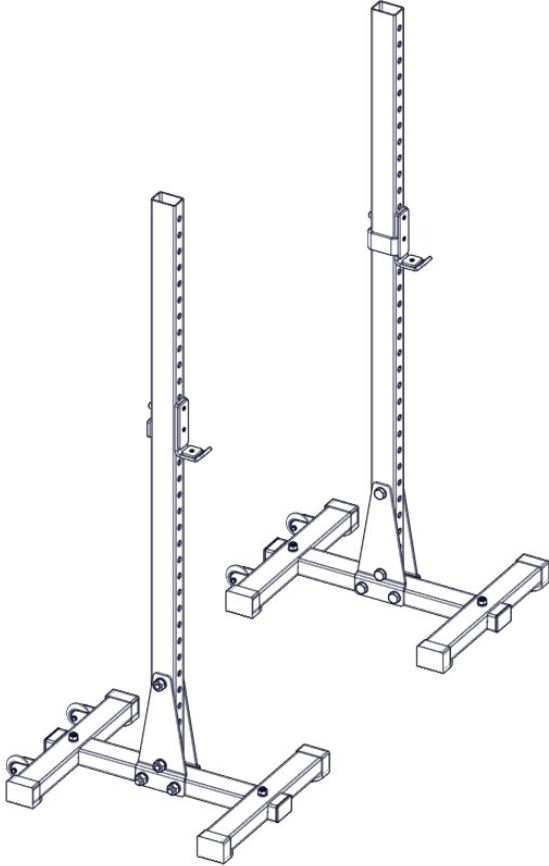


BULLDOG GEAR®

SNAP INDY RACK

INSTRUCTION MANUAL

Patent Pending 2019961.8



CHECKLIST

SNAP INDY RACK



BS000-003_011

PACKERS SIGNATURE:

DISCLAIMER

Resistance training, gymnastics training, and activities at height are potentially dangerous and may lead to severe injury or even death. Use common sense when training - obtain instruction in the proper execution of movements, and understand your limitations. This equipment must only be used by competent and responsible persons, or under the direct and visual control of a competent and responsible person. Obtaining instruction in appropriate techniques and methods of use is your own responsibility. You assume all risks and responsibilities for all damage, injury or death, which may occur during or following incorrect use of this equipment in any matter whatsoever. Bulldog Gear LTD bears no liability beyond the replacement value of the equipment in question.

BOTH BULLDOG GEAR LTD AND BUYER DISCLAIM ANY EXPRESS OR IMPLIED WARRANTY, INCLUDING, WITHOUT LIMITATION, WARRANTIES OF MERCHANTABILITY AND/OR FITNESS FOR A PARTICULAR PURPOSE WITH RESPECT TO THE EQUIPMENT.



WARNING!
MISUSE OF THIS EQUIPMENT CAN RESULT
IN SEVERE INJURY

BULLDOG GEAR LTD, WAREHOUSE AND LOGISTICS, 18B, AIRFIELD
INDUSTRIAL ESTATE, HIXON, STAFFORDSHIRE, ST18 0PF

@ TEAM@BULLDOGGEAR.EU

+44 08432 899295

ASSEMBLY PARTS & EQUIPMENT

TO ASSEMBLE YOUR BULLDOG GEAR **SNAP INDY RACK** YOU WILL NEED 2 X ADJUSTABLE SPANNERS, OR A SET OF 19MM AND 24MM SPANNERS. PARTS YOU REQUIRE ARE LISTED BELOW, PLEASE NOTE SOME PARTS ARE PRE-ASSEMBLED:



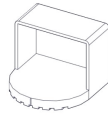
2 X 1750MM UPRIGHTS

BS101-005



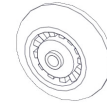
4 X TRIANGLE BRACKETS

BS902-001



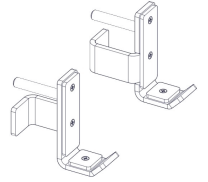
8 X INDY SR FOOT 75MM X 50MM

AC946-001



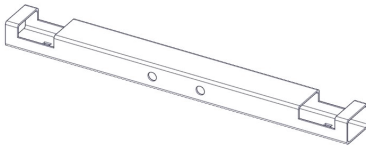
4 X INDY SQUAT RACK WHEEL

AC945-001



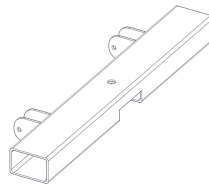
1 X BULLDOG SERIES J-PEG SET

BS004-001/002



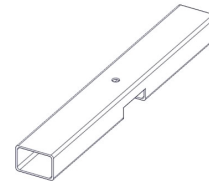
2 X CENTRE CROSS MEMBER

BS301-023



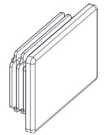
2 X BACK CROSS MEMBER

BS030-001



2 X FRONT CROSS MEMBER

BS301-024



4 X 75MM x 50MM END CAP

AC966-002



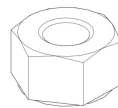
FIXINGS



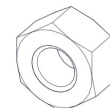
4 X M6 X 50MM BOLTS



4 X M12 X 65MM BUTTON CUP SQUARE HEX SET



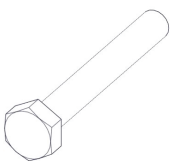
4 X M6 NYLON LOCKING NUTS



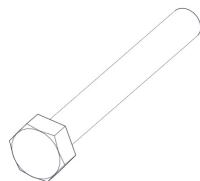
4 X M12 NYLON LOCKING NUTS



8 X M16 NYLON LOCKING NUTS



4 X M16 X 90MM BOLTS



4 X M16 X 110MM BOLTS



8 X M6 WASHERS

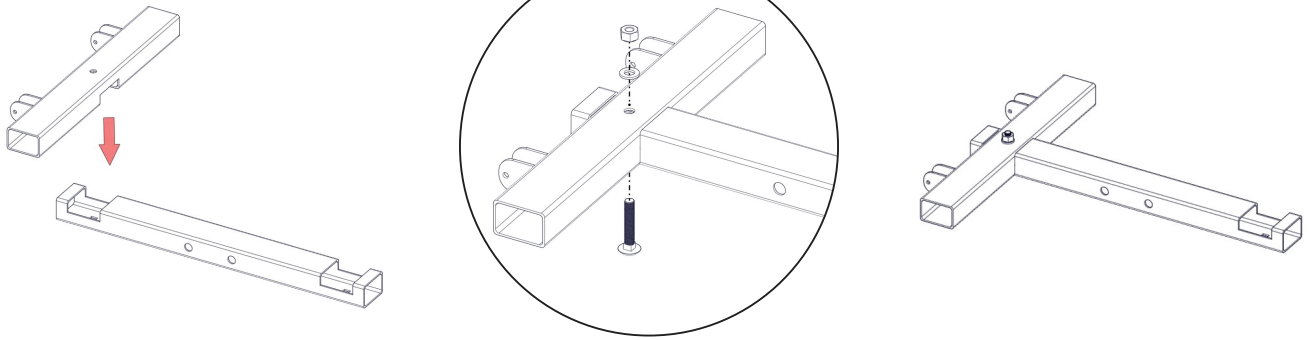


4 X M12 WASHERS

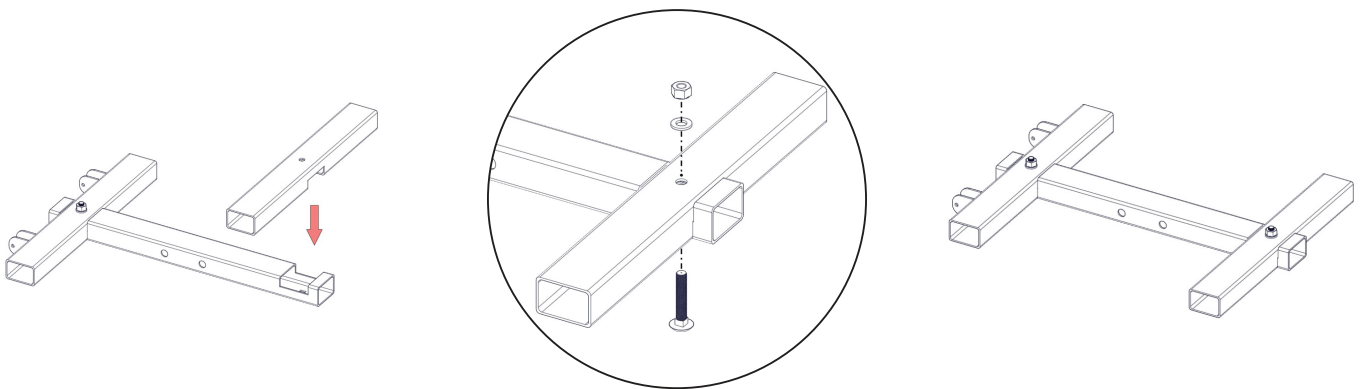


16 X M16 WASHERS

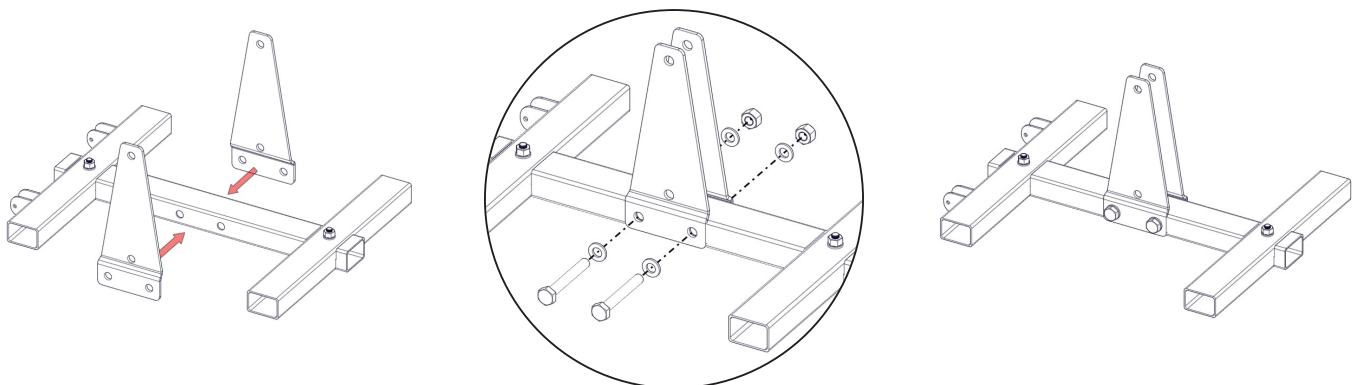




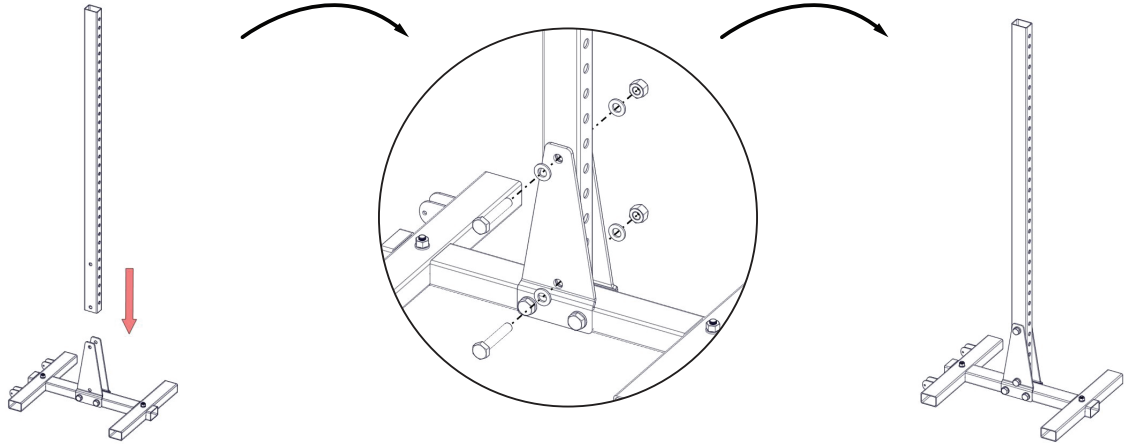
- 1** LAY THE CENTRE CROSS MEMBER BS301-023 ON THE FLOOR ENSURING THE LOCATION SLOTS ARE FACING UPWARDS. DROP IN BACK CROSS MEMBER BS030-001 AND SECURE WITH 1 X M12 X 65MM BUTTON CUP SQUARE HEX SET, 1 X M12 WASHER AND 1 X M12 NYLON LOCKING NUT. THE M12 BUTTON CUP HEX SET SHOULD SELF-LOCATE WITHIN A SQUARE SLOT ON THE UNDERSIDE OF BS301-023. USING A 19MM SPANNER FULLY TIGHTEN THE BOLT.



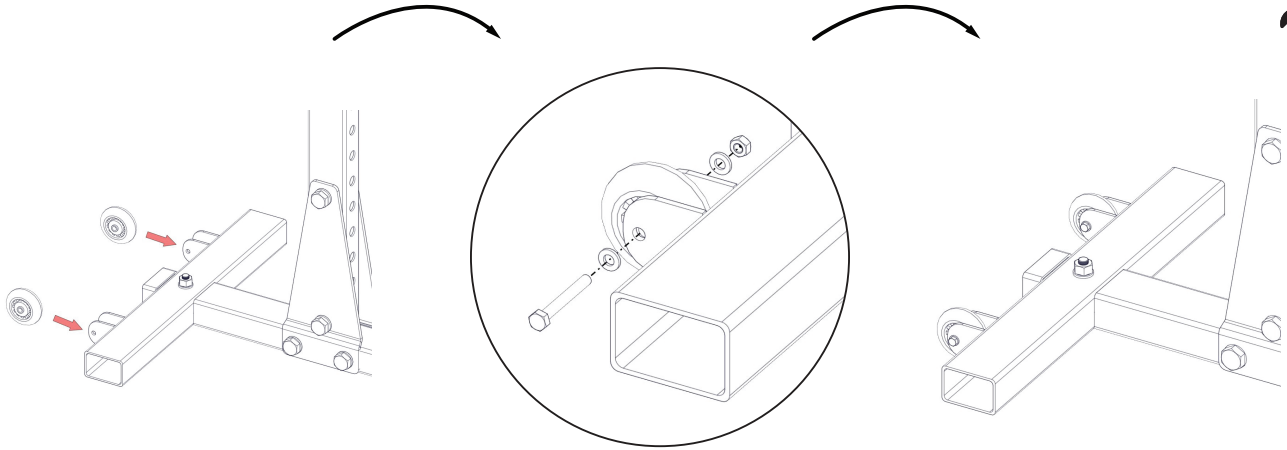
- 2** REPEAT THIS PROCESS USING FRONT CROSS MEMBER BS301-024 AND SECURE IN PLACE WITH 1 X M12 X 65MM BUTTON CUP SQUARE HEX SET, 1 X M12 WASHER AND 1 X M12 NYLON LOCKING NUT. THE M12 BUTTON CUP HEX SET SHOULD SELF-LOCATE WITHIN A SQUARE SLOT ON THE UNDERSIDE OF BS301-023. USING A 19MM SPANNER FULLY TIGHTEN THE BOLT.



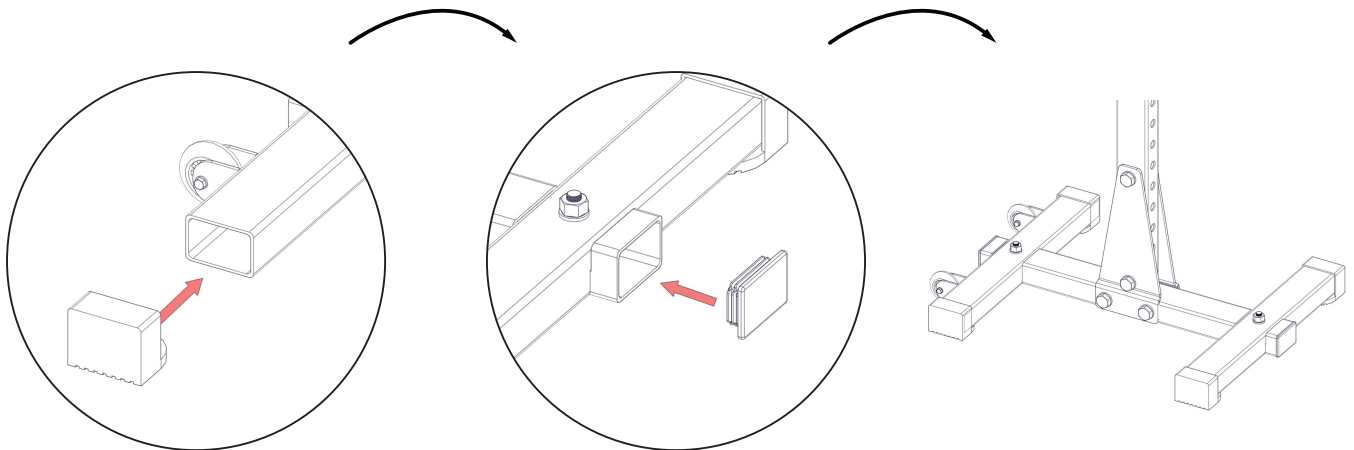
- 3** ALIGN 2 X TRIANGLE BRACKETS BS902-001 WITH THE TWO HOLES IN THE CENTRE OF THE CENTRAL CROSS MEMBER BS301-023. USING 2 X M16 X 120MM HEX BOLTS, 4 X M16 WASHERS AND 2 X M16 NYLON LOCK NUTS SECURE THE PLATES IN POSITION. YOU WILL NEED 2 X ADJUSTABLE OR 2 X SIZE 24MM SPANNERS. **DO NOT FULLY TIGHTEN AT THIS STAGE.**



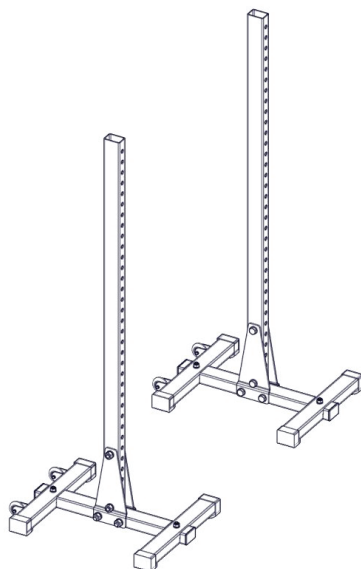
4 LOWER 1 X 1750MM UPRIGHT BS101-005 BETWEEN THE TWO TRIANGLE BRACKETS BS902-001 AND ENSURE THE HOLES ALIGN. USING 2 X M16 X 90MM HEX BOLTS, 4 X M16 WASHERS AND 2 X M16 NYLON LOCK NUTS SECURE THE UPRIGHT IN PLACE. TIGHTEN ALL M16 BOLTS WITH EITHER 2 X ADJUSTABLE OR 2 X 24MM SPANNERS.



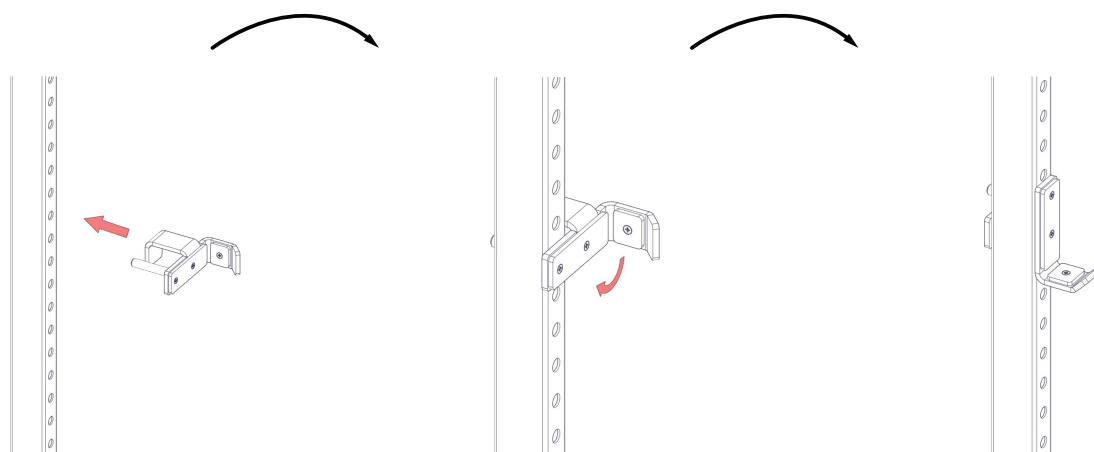
5 POSITION 2 X INDIE SQUAT RACK WHEELS AC945-001 BETWEEN THE SLOTS AT THE REAR OF THE BACK CROSS MEMBER BS030-001. USING 2 X M6 X 50MM BOLTS, 2 X M6 WASHERS AND 2 X M6 NYLON LOCK NUTS SECURE EACH WHEEL IN PLACE. YOU WILL NEED EITHER 2 X ADJUSTABLE OR 2 X 10MM SPANNERS. MAKE SURE YOU DON'T OVER TIGHTEN THEM AS THIS MAY PREVENT THE WHEELS FROM MOVING FREELY.



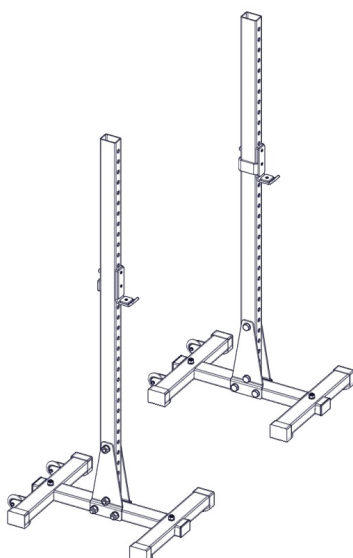
6 ATTACH 4 X INDY SR FOOT 75MM X 50MM AC946-001 AND 2 X 75MM X 50MM END CAP AC966-002 TO THE BASE IN THE LOCATIONS SHOWN. (RUBBER FEET ON THE HORIZONTAL CROSS MEMBERS AND PLASTIC END CAPS ON EITHER END OF CENTRAL CROSS MEMBER).



7 ENSURE ALL BOLTS ARE SECURE AND REPEAT STEPS 1-6 TO COMPLETE THE OTHER INDIE RACK ASSEMBLY.



8 ONCE BOTH OF THE INDIE SQUAT RACK ASSEMBLIES ARE COMPLETE ATTACH YOUR BULLDOG SERIES JPEG SET BS004-001/002. ENSURE THAT THE ARMS OF THE JPEG HUG THE INSIDE OF THE UPRIGHTS FOR MAXIMUM SAFETY. (SEE FINAL RESULT)



9 FINAL RESULT. PLEASE NOTE: YOU SHOULD NOT USE THE BULLDOG SERIES SPOTTER ARMS OR DIP ATTACHMENT ON THIS PRODUCT UNDER ANY CIRCUMSTANCES.