

**HB**  
**SERIES**



*Unprecedented Comprehensive Lighting*

**5** YEAR  
WARRANTY

## **Overview**

The ZGSM® HB-Series LED Floodlights body are processed with anodized tensile aluminum, not only concise and generous, but also no any corrosion problems. The Luminaires featured with easy mounting and flexible angle adjustment; Built-in driver design; multi-illuminated angle with 60°, 90° and 110°. Wide input voltage from 100-240V/277V AC, suitable for a variety of applications.

The ZGSM® HB-Series LED Floodlights are using High Luminous Efficient PHILIPS LUXEON® T Luminous Source and High Reliable MEANWELL® HLG Driver.

The luminaires own up to 95 LPW(lumens per watt) efficiency and over than 100,000 hours operation life.

### **Application**

- Bill Board
- Area lighting
- Architecture Lighting
- Landscape Lighting



*Exquisite  
Craftsmanship*



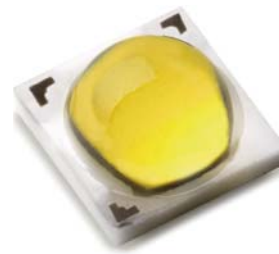
## Product Benefits

### PHILIPS LUMILEDS LED LUMINOUS SOURCE

The ZGSM HB-Series LED Floodlights are utilizing PHILIPS LUXEON T luminous source, providing excellent lumen output - up to 95 LPW, long-lasting stability and splendid sight.

Each LUXEON T owns electrostatic protection component, maximally avoid the damage of electrostatic.

More information about the LUXEON T and solid-state lighting technologies can be found at [www.philipslumileds.com](http://www.philipslumileds.com).



### LUXEON T

High-Efficacy, Illumination  
Grade LED light source.

**LUXEON**  
NEVER BEFORE POSSIBLE



### MW MEAN WELL LED DRIVER

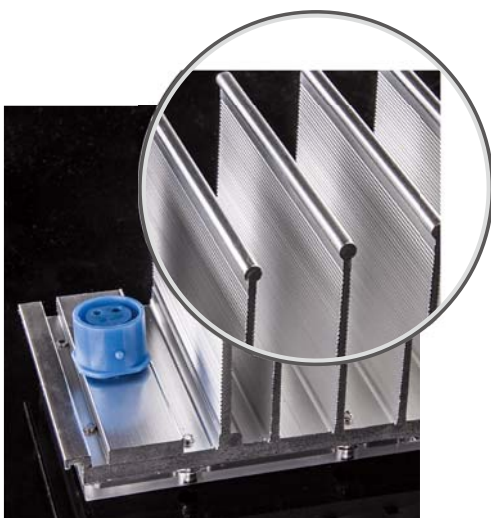
Full Range of ZGSM HB-Series LED Floodlights are utilizing MEANWELL HLG series high-end driver, optimal operation stability, lifespan and performance.

More information about the MEANWELL HLG and LED driver technologies, please visit [www.meanwell.com](http://www.meanwell.com)

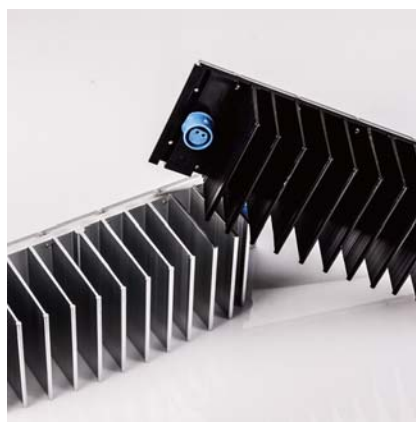


### ZGSM 3<sup>RD</sup> GENERATION LED MODULE

Exquisite design with powerful thermal performance, as well as high reliable waterproof rating.



Cylindrical edge design, avoid  
risk of cuts



Black & Silvery



Overall stainless steel hexagon  
screws adopted



## Product Benefits

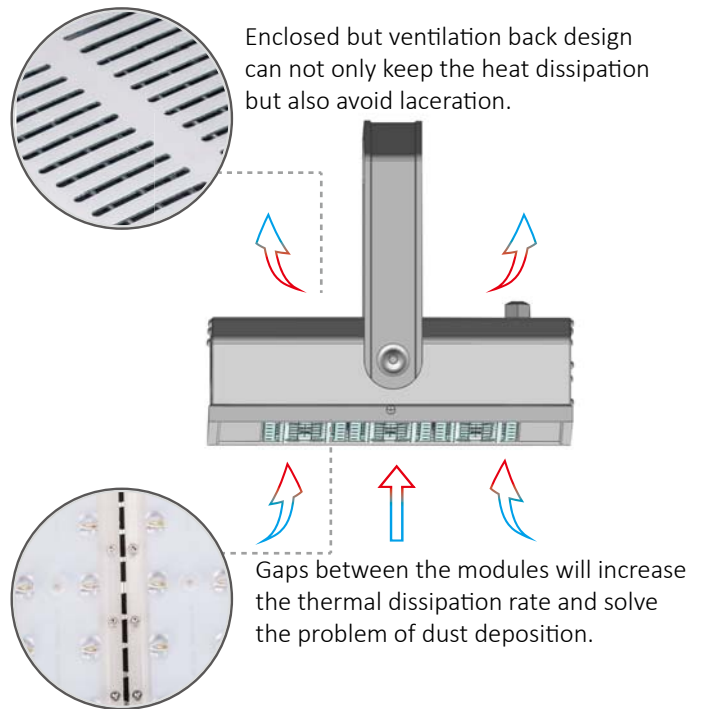
### XTREME LUMINAIRE DESIGN

Equipped with exceptional ZGSM 3<sup>rd</sup> generation LED module, the HB-Series LED Floodlights give best luminous output, stability and extra long life. HB-Series LED Floodlights are intended to build the most cost-performance luminaires ever.

ZGSM completed the R&D independently, and reserve all related patents for HB-Series LED Floodlights.

Easy assemble/disassemble, neat wiring & connection, up to 95 LPW luminous efficiency, IP66 and IK10 Rated, 90%+ driver efficiency, over then 100,000 hours operation life and 5 years warranty.

More information about ZGSM HB-Series LED Floodlights and LED lighting technologies at [www.zgsm-china.com](http://www.zgsm-china.com).



Professional lens design with 60°, 90° and 110° optional.



Utilize M16 waterproof connector to fix the input cable, avoid damage of hard power pulling.



Convenient connection, neat, clean and efficiency.



Use waterproof connector to fix the input cables, easy to make maintenance.



Full aluminium enhanced luminaire bracket supports flexible angle adjustment. Designed for a variety of applications



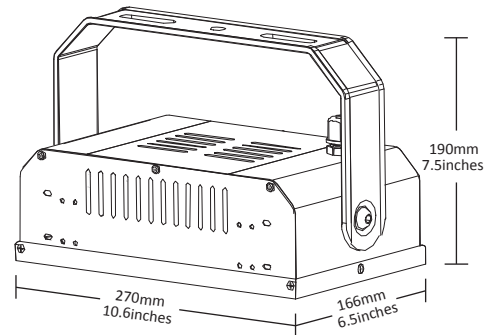
With a non-corrosive material, not only exquisite appearance, but also no corrosion concerns.

DETAILED FEATURES

# M-FGD40HB

Unprecedented Comprehensive Lighting

70W HID Replacement



Dimming functions are supported by optional  
 † Three in One (1-10V DC or PWM Signal or Resistance)  
 † Timer - Contact ZGSM for Details

## Specifications

### Electrical Specifications:

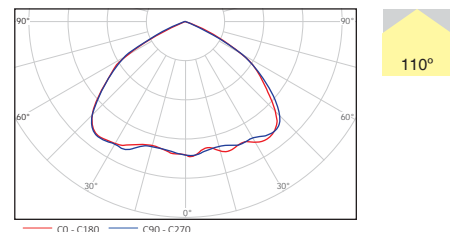
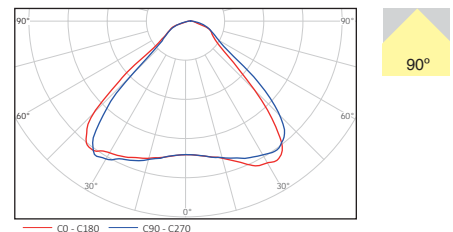
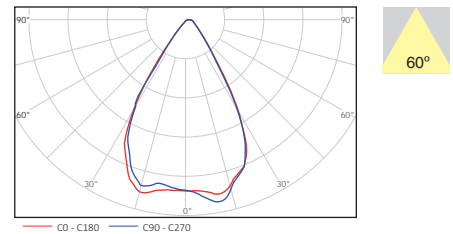
Model No.	M-FGD40HB
Nominal Wattage	40W
Nominal Voltage	AC 100-240V /277V, 50/60Hz
Maximum Current	AC 0.41A -120V, 0.21A -240V, 0.18A -277V
Operating Temperature	-40 °C to +50 °C
Power Factor (PF)	> 0.9
Driver Efficiency	> 90%

### Photometric Specifications:

Lumen Output	3800 lm (+/- 5%)
Photometric Type	60°   90°   110°
CRI	> 70 CRI
CCT	<div style="display: flex; gap: 10px;"> <div style="border: 1px solid black; border-radius: 50%; padding: 2px 5px;">4000K</div> <div style="border: 1px solid black; border-radius: 50%; padding: 2px 5px;">5000K</div> <div style="border: 1px solid black; border-radius: 50%; padding: 2px 5px;">5700K</div> </div>

### Mechanical Specifications:

Ratings	IP66, IK10
Lumen Maintenance	> 60,000 hours -L70(9K), @25 °C (77 °F)
Heat Radiator	Anodized Aluminum
Lens	PC
Fixture Dimension	166 x270 x190 mm 6.5 x10.6 x7.5 inches
Fixture Weight	2.4 kg /5.3 lbs



### Packing Type

1 unit(s) /ctn.

### Packing Dimension

285 x370 x200 mm  
11.2 x14.6 x7.9 inches

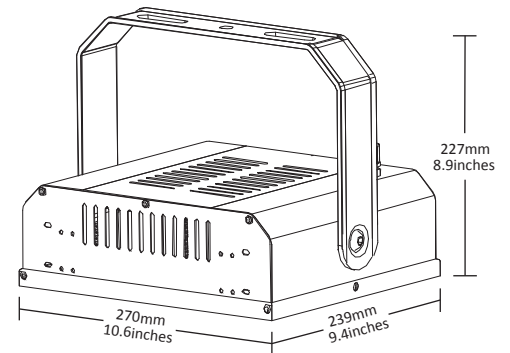
### Packing Weight

3.1 kg /6.8 lbs

# M-FGD80HB

Unprecedented Comprehensive Lighting

150W HID Replacement



Dimming functions are supported by optional  
 † Three in One (1-10V DC or PWM Signal or Resistance)  
 † Timer - Contact ZGSM for Details

## Specifications

### Electrical Specifications:

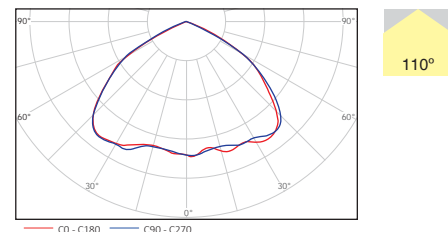
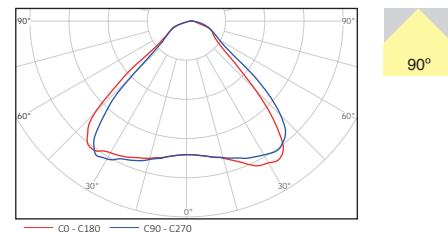
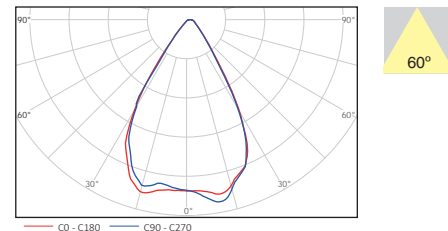
Model No.	M-FGD80HB
Nominal Wattage	80W
Nominal Voltage	AC 100-240V /277V, 50/60Hz
Maximum Current	AC 0.82A -120V, 0.41A -240V, 0.36A -277V
Operating Temperature	-40 °C to +50 °C
Power Factor (PF)	> 0.9
Driver Efficiency	> 90%

### Photometric Specifications:

Lumen Output	7600 lm (+/- 5%)
Photometric Type	60°   90°   110°
CRI	> 70 CRI
CCT	<div style="display: flex; gap: 10px;"> <div style="border: 1px solid black; border-radius: 50%; padding: 2px 5px;">4000K</div> <div style="border: 1px solid black; border-radius: 50%; padding: 2px 5px;">5000K</div> <div style="border: 1px solid black; border-radius: 50%; padding: 2px 5px;">5700K</div> </div>

### Mechanical Specifications:

Ratings	IP66, IK10
Lumen Maintenance	> 60,000 hours -L70(9K), @25 °C (77 °F)
Heat Radiator	Anodized Aluminum
Lens	PC
Fixture Dimension	239 x270 x227 mm 9.4 x10.6 x8.9 inches
Fixture Weight	3.6 kg /7.9 lbs



### Packing Type

1 unit(s) /ctn.

### Packing Dimension

355 x370 x200 mm  
14.0 x14.6 x7.9 inches

### Packing Weight

4.4 kg /9.7 lbs

# M-FGD120HB

Unprecedented Comprehensive Lighting

250W HID Replacement



Dimming functions are supported by optional  
 † Three in One (1-10V DC or PWM Signal or Resistance)  
 † Timer - Contact ZGSM for Details

## Specifications

### Electrical Specifications:

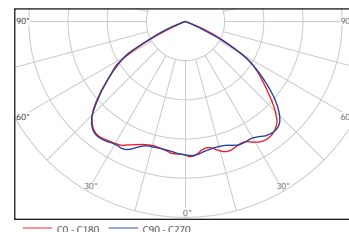
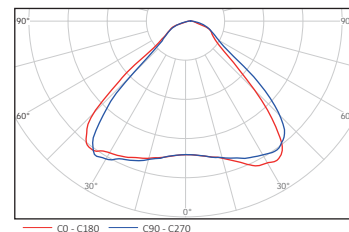
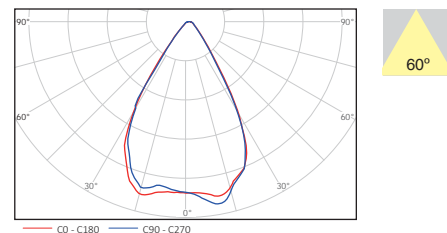
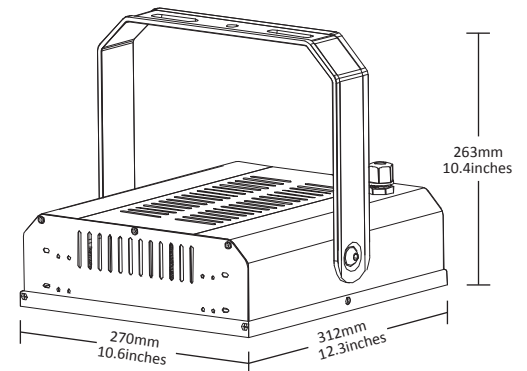
Model No.	M-FGD120HB
Nominal Wattage	120W
Nominal Voltage	AC 100-240V /277V, 50/60Hz
Maximum Current	AC 1.23A -120V, 0.62A -240V, 0.53A -277V
Operating Temperature	-40 °C to +50 °C
Power Factor (PF)	> 0.9
Driver Efficiency	> 90%

### Photometric Specifications:

Lumen Output	11400 lm (+/- 5%)
Photometric Type	60°   90°   110°
CRI	> 70 CRI
CCT	<div style="display: flex; gap: 10px;"> <div style="border: 1px solid black; border-radius: 50%; width: 30px; height: 30px; background-color: #f4a460; display: flex; align-items: center; justify-content: center;">4000K</div> <div style="border: 1px solid black; border-radius: 50%; width: 30px; height: 30px; background-color: #f4a460; display: flex; align-items: center; justify-content: center;">5000K</div> <div style="border: 1px solid black; border-radius: 50%; width: 30px; height: 30px; background-color: #f4a460; display: flex; align-items: center; justify-content: center;">5700K</div> </div>

### Mechanical Specifications:

Ratings	IP66, IK10
Lumen Maintenance	> 60,000 hours -L70(9K), @25 °C (77 °F)
Heat Radiator	Anodized Aluminum
Lens	PC
Fixture Dimension	312 x270 x263 mm 12.3 x10.6 x10.4 inches
Fixture Weight	4.6 kg /10.1 lbs



### Packing Type

1 unit(s) /ctn.

### Packing Dimension

430 x370 x200 mm  
17.0 x14.6 x7.9 inches

### Packing Weight

5.4 kg /11.9 lbs

# M-FGD160HB

Unprecedented Comprehensive Lighting

Brighter  
250W HID Replacement




Dimming functions are supported by optional  
+ Three in One (1-10V DC or PWM Signal or Resistance)  
+ Timer - Contact ZGSM for Details

## Specifications

### Electrical Specifications:

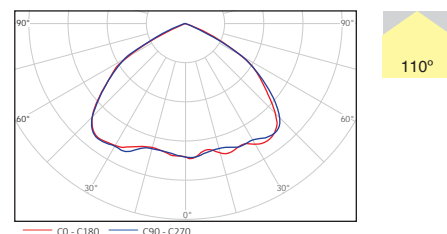
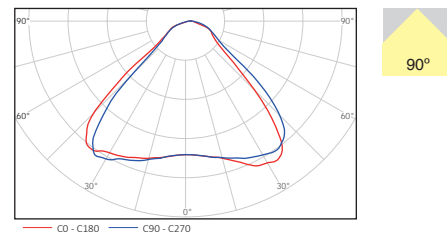
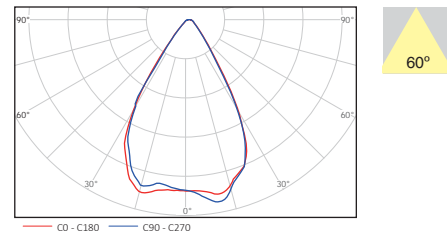
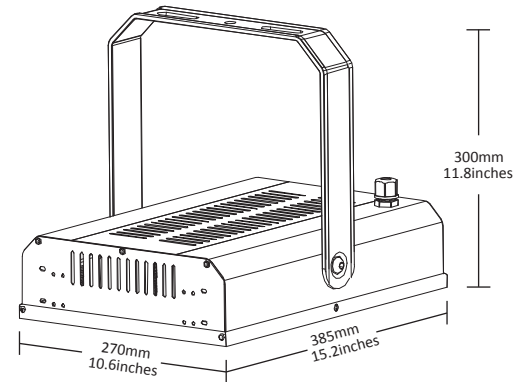
Model No.	M-FGD160HB
Nominal Wattage	160W
Nominal Voltage	AC 100-240V /277V, 50/60Hz
Maximum Current	AC 1.65A -120V, 0.82A -240V, 0.71A -277V
Operating Temperature	-40 °C to +50 °C
Power Factor (PF)	> 0.9
Driver Efficiency	> 90%

### Photometric Specifications:

Lumen Output	15200 lm (+/- 5%)
Photometric Type	60°   90°   110°
CRI	> 70 CRI
CCT	

### Mechanical Specifications:

Ratings	IP66, IK10
Lumen Maintenance	> 60,000 hours -L70(9K), @25 °C (77 °F)
Heat Radiator	Anodized Aluminum
Lens	PC
Fixture Dimension	385 x270 x300 mm 15.2 x10.6 x11.8 inches
Fixture Weight	5.4 kg /11.9 lbs



### Packing Type

1 unit(s) /ctn.

### Packing Dimension

505 x370 x200 mm  
19.9 x14.6 x7.9 inches

### Packing Weight

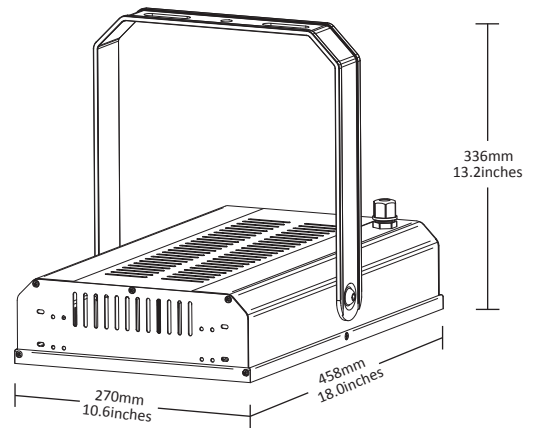
6.3 kg /13.9 lbs



# M-FGD200HB

Unprecedented Comprehensive Lighting

400W HID Replacement



Dimming functions are supported by optional  
 † Three in One (1-10V DC or PWM Signal or Resistance)  
 † Timer - Contact ZGSM for Details

## Specifications

### Electrical Specifications:

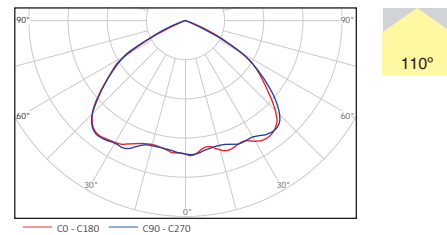
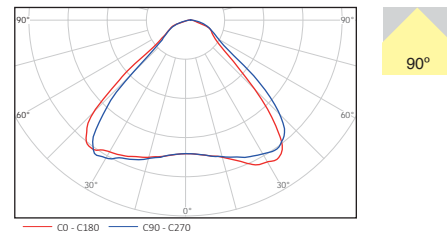
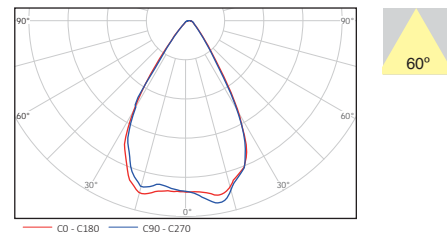
Model No.	M-FGD200HB
Nominal Wattage	200W
Nominal Voltage	AC 100-240V /277V, 50/60Hz
Maximum Current	AC 2.06A -120V, 1.03A -240V, 0.89A -277V
Operating Temperature	-40 °C to +50 °C
Power Factor (PF)	> 0.9
Driver Efficiency	> 90%

### Photometric Specifications:

Lumen Output	19000 lm (+/- 5%)
Photometric Type	60°   90°   110°
CRI	> 70 CRI
CCT	<div style="display: flex; gap: 10px;"> <div style="border: 1px solid black; border-radius: 50%; width: 30px; height: 30px; text-align: center; line-height: 30px;">4000K</div> <div style="border: 1px solid black; border-radius: 50%; width: 30px; height: 30px; text-align: center; line-height: 30px;">5000K</div> <div style="border: 1px solid black; border-radius: 50%; width: 30px; height: 30px; text-align: center; line-height: 30px;">5700K</div> </div>

### Mechanical Specifications:

Ratings	IP66, IK10
Lumen Maintenance	> 60,000 hours -L70(9K), @25 °C (77 °F)
Heat Radiator	Anodized Aluminum
Lens	PC
Fixture Dimension	458 x270 x336 mm 18.0 x10.6 x13.2 inches
Fixture Weight	6.3 kg /13.9 lbs



### Packing Type

1 unit(s) /ctn.

### Packing Dimension

580 x370 x200 mm  
22.8 x14.6 x7.9 inches

### Packing Weight

7.2 kg /15.9 lbs

# M-FGD240HB

Unprecedented Comprehensive Lighting

Brighter  
400W HID Replacement



Dimming functions are supported by optional  
 † Three in One (1-10V DC or PWM Signal or Resistance)  
 † Timer - Contact ZGSM for Details

## Specifications

### Electrical Specifications:

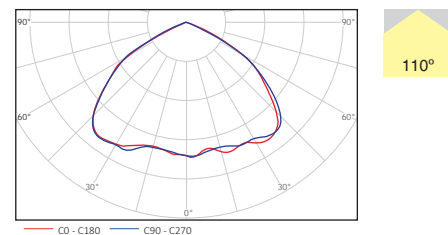
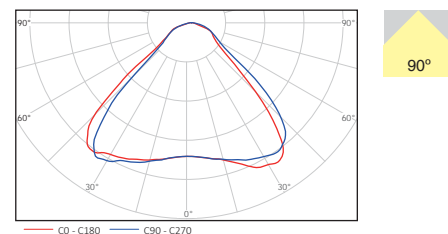
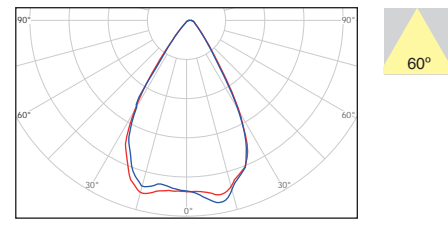
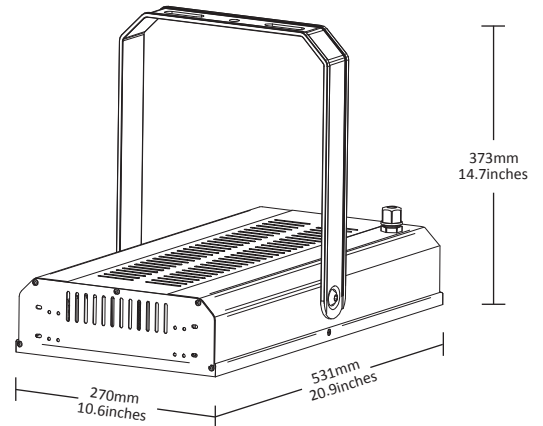
Model No.	M-FGD240HB
Nominal Wattage	240W
Nominal Voltage	AC 100-240V /277V, 50/60Hz
Maximum Current	AC 2.47A -120V, 1.23A -240V, 1.07A -277V
Operating Temperature	-40 °C to +50 °C
Power Factor (PF)	> 0.9
Driver Efficiency	> 90%

### Photometric Specifications:

Lumen Output	22800 lm (+/- 5%)
Photometric Type	60°   90°   110°
CRI	> 70 CRI
CCT	<div style="display: flex; gap: 10px;"> <div style="border: 1px solid black; border-radius: 50%; padding: 2px 5px;">4000K</div> <div style="border: 1px solid black; border-radius: 50%; padding: 2px 5px;">5000K</div> <div style="border: 1px solid black; border-radius: 50%; padding: 2px 5px;">5700K</div> </div>

### Mechanical Specifications:

Ratings	IP66, IK10
Lumen Maintenance	> 60,000 hours -L <sub>70</sub> (9K), @25 °C (77 °F)
Heat Radiator	Anodized Aluminum
Lens	PC
Fixture Dimension	531 x270 x373 mm 20.9 x10.6 x14.7 inches
Fixture Weight	7.1 kg /15.7 lbs



### Packing Type

1 unit(s) /ctn.

### Packing Dimension

650 x370 x200 mm  
25.6 x14.6 x7.9 inches

### Packing Weight

8.1 kg /17.9 lbs

## Additional Information

---

### PACKING

