



Applications:

Suitable for commercial, retail and institutional applications including gymnasiums, factories and warehouses.

Features

- Offering quality lighting and excellent energy savings compared to linear fluorescent and HID highbay fixtures.
- Voltage is 120-277V & 347V-480V.
- Motion Sensor optional and supports Emergency Battery.
- Lumen output from 12000-40000lm with efficacy up to 142lm/W.
- Standard 1-10V dimming available.
- Steel wire rope(default included), pendent or surface mounting available.
- Projected life span of 50,000 hrs.
- Operating temperature is -40°C to 55°C (-40°F to 131°F) .
- UL/cUL and DLC qualified.
- FCC compliant.

90W



130W&180W&205W



270W&300W

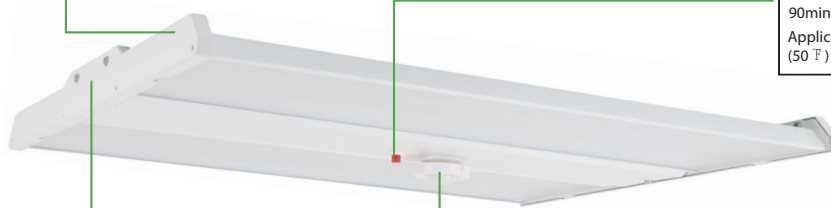


Housing
Advanced thermal management aluminum alloy with white coat finish.
Suitable for pendent mount and Sling mount.

Threaded Conduit
Support wires coming from the hole for easier wire connections.

Emergency Battery
90min, 900lm
Applicable ambient temperature is 10 C (50 F) to 40 C (104 F)

Motion Sensor
Optional motion sensor allows for security and energy saving.



Wireless Lighting Control System

G5 Smart Wireless Lighting Controls System is an indoor or outdoor wireless control system for the parking lot, street, roadway and commercial lights. The unique technology inside this system enables customer to remote monitor and operate all fixtures through a Web-enabled central management system. Customer can use any Internet enabled equipment, such as smart phone, computer or tablet, to access the user portal of the system.



Lighting Fixture
Highly efficient LED fixtures



Smart Energy Monitor
Low-voltage power module
Power modules create safe
low-voltage circuits to power
and control LED lighting fixture



Smart Gateway
Stores and transmits real-time
building usage data



Software Services
Mobile & Web application

Features

- Accurate, utility-grade energy metering per fixture or per circuit
- Stores days of energy data in local memory in case of network outage and automatically synchronize data with central database once network recovers
- Provides real-time (less than 100ms response time) protection on fixtures from the out of range voltage
- Real-time detects the theft of electricity and reports time, wattage and location to the operation center
- Automatically download programmed schedules
- Maintain a redundant mesh network through encrypted connections
- Integrated with latest video surveillance system
- Provide integration interface on the control board and software platform. Capable of integration with police and city management system

PERFORMANCE DATA

SYSTEM WATTS	VOLTAGE	CRI	4000K		5000K	
			LUMENS	LPW	LUMENS	LPW
90W	120-277VAC/347-480V	80	12000lm	133lm/W	12600lm	140lm/W
130W	120-277VAC/347-480V	80	18000lm	138lm/W	18500lm	142lm/W
180W	120-277VAC	80	24000lm	133lm/W	24500lm	136lm/W
190W	347/480VAC	80	24500lm	129lm/W	25000lm	132lm/W
205W	120-277VAC	70	28400lm	139lm/W	29000lm	141lm/W
210W	347/480VAC	70	28700lm	137lm/W	29300lm	140lm/W
270W	120-277VAC/347-480V	80	35500lm	131lm/W	36000lm	133lm/W
300W	120-277VAC/347-480V	80	39500lm	132lm/W	40000lm	133lm/W

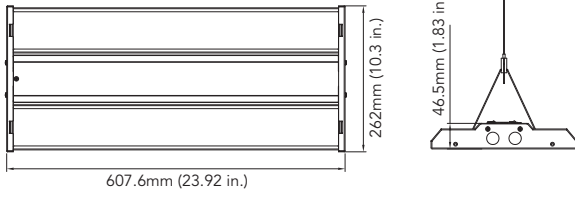
ELECTRICAL DATA

Number Of Drivers	Driver Current (mA)	Nominal Power (W)	INPUT VOLTAGE (V)		CURRENT (Amps)
1	2270	90	120	0.75	
		90	208	0.43	
		90	240	0.38	
	2400	90	277	0.32	
		90	347	0.26	
		90	480	0.19	
2	3040	130	120	1.08	
		130	208	0.63	
		130	240	0.54	
	3200	130	277	0.47	
		130	347	0.37	
		130	480	0.27	
2	4540	180	120	1.50	
		180	208	0.87	
		180	240	0.75	
		180	277	0.65	
		190	347	0.55	
		190	480	0.40	
2	5200	205	120	1.71	
		205	208	0.99	
		205	240	0.85	
		205	277	0.74	
		210	347	0.61	
		210	480	0.44	
4	6520	270	120	2.25	
		270	208	1.30	
		270	240	1.13	
	6400	270	277	0.97	
		270	347	0.78	
		270	480	0.56	
4	7200	300	120	2.50	
		300	208	1.44	
		300	240	1.25	
	7400	300	277	1.08	
		300	347	0.86	
		300	480	0.63	

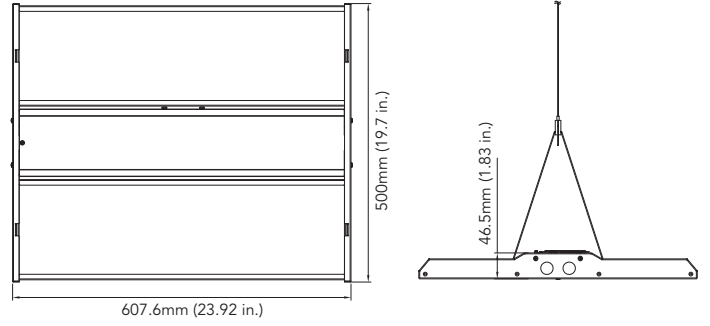
DIMENSION

unit: inch/mm

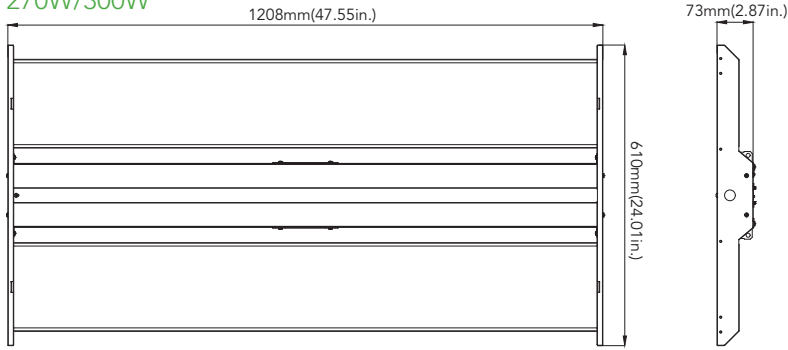
90W



130W/180W/205W



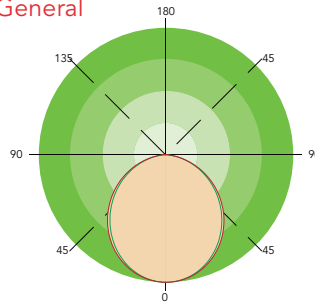
270W/300W



Weight:
 90W: 6.98 lb
 130W: 10.91 lb
 180W: 11.76 lb
 205W: 11.76 lb
 210W: 14.26 lb
 270W: 22.46 lb
 300W: 22.49 lb

PHOTOMETRICS

General



ORDERING GUIDE

Example: MLH03130W27VXXKYYY

Fixture Type	Wattage	Voltage	CCT	Lens	Sensor (Option)	Backup Battery (Option)
<input type="checkbox"/>	<input type="checkbox"/>	<input type="checkbox"/>	<input type="checkbox"/>	<input type="checkbox"/>	<input type="checkbox"/>	<input type="checkbox"/>
MLH03 Linear high bay series	90 90W 130 130W 180 180W 190 190W 205 205W 210 210W 270 270W 300 300W	27V 120-277V 48V 347-480V 347/480V	40K 4000K 50K 5000K	CD Clear Diffuser	M Motion Sensor Blank Without Sensor	B Emergency Battery Blank Without Emergency Battery

Note: 1. The wattage is 180W when the voltage is 120-277V, while the voltage is 347/480V, the wattage is 190W.
 2. The wattage is 205W when the voltage is 120-277V, while the voltage is 347/480V, the wattage is 210W.
 3. 205W and 210W (standard 70 CRI), others (standard 80 CRI).
 4. Emergency battery is not optional while the voltage is 347-480V.

DLC Model NO.

SYSTEM WATTS	VOLTAGE	CCT	LED NO	DLC NO.	DLC Classification
90W	120-277V	4000K	2835	MLH0390W27V40KCD[Blank,M][Blank,B]	Premium
		5000K	2835	MLH0390W27V50KCD[Blank,M][Blank,B]	Premium
	347-480V	4000K	2835	MLH0390W48V40KCD[Blank,M][Blank,B]	Premium
		5000K	2835	MLH0390W48V50KCD[Blank,M][Blank,B]	Premium
130W	120-277V	4000K	2835	MLH03130W27V40KCD[Blank,M][Blank,B]	Premium
		5000K	2835	MLH03130W27V50KCD[Blank,M][Blank,B]	Premium
	347-480V	4000K	2835	MLH03130W48V40KCD[Blank,M][Blank,B]	Premium
		5000K	2835	MLH03130W48V50KCD[Blank,M][Blank,B]	Premium
180W	120-277V	4000K	2835	MLH03180W27V40KCD[Blank,M][Blank,B]	Premium
		5000K	2835	MLH03180W27V50KCD[Blank,M][Blank,B]	Premium
190W	347/480V	4000K	2835	MLH03190W27V40KCD[Blank,M][Blank,B]	Premium
		5000K	2835	MLH03190W27V50KCD[Blank,M][Blank,B]	Premium
270W	120-277V	4000K	2835	MLH03270W27V40KCD[Blank,M][Blank,B]	Premium
		5000K	2835	MLH03270W27V50KCD[Blank,M][Blank,B]	Premium
	347-480V	4000K	2835	MLH03270W48V40KCD[Blank,M][Blank,B]	Premium
		5000K	2835	MLH03270W48V50KCD[Blank,M][Blank,B]	Premium
300W	120-277V	4000K	2835	MLH03300W27V40KCD[Blank,M][Blank,B]	Premium
		5000K	2835	MLH03300W27V50KCD[Blank,M][Blank,B]	Premium
	347-480V	4000K	2835	MLH03300W48V40KCD[Blank,M][Blank,B]	Premium
		5000K	2835	MLH03300W48V50KCD[Blank,M][Blank,B]	Premium