



Applications:

Suitable for commercial, retail and institutional applications including gymnasiums, factories and warehouses.

Features

- Efficacy higher than 146lm/w, designed to replace 250W, 320W and 400W HID while consumes 135W, 175W and 200W.
- 120 degree lens guarantees light intensity and light uniformity.
- Hook(default included) or Conduit pendant way for different applications.
- Optional motion sensor can be offered for maximizing energy savings.
- Optional emergency function for emergency needs.
- Superior colour rendition index compared to HPS.
- Operating temperature is -40°C to 55°C (-40°F to 131°F).
- Resistant to shock and vibration.
- UL/cUL wet location and DLC qualified.



PERFORMANCE DATA

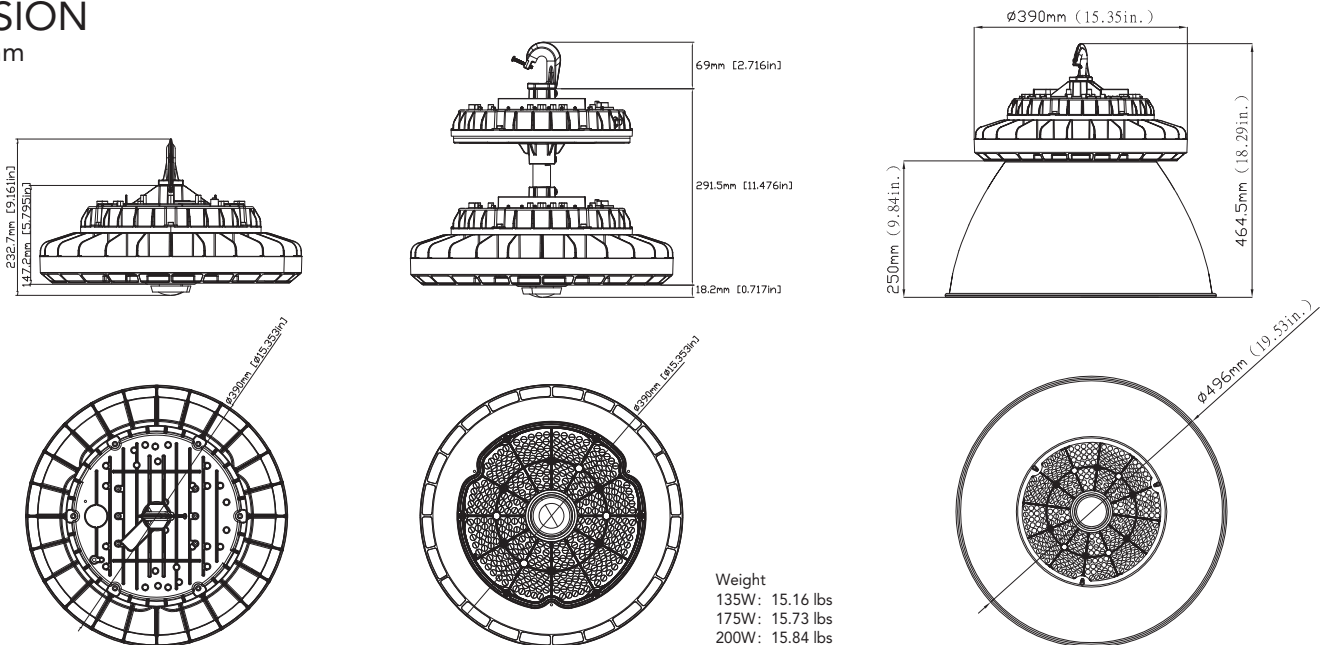
SYSTEM WATTS	VOLTAGE	4000K(70CRI)		5000K(70CRI)	
		LUMENS	LPW	LUMENS	LPW
135W	120-277VAC/347-480V	19400lm	144lm/W	19400lm	144lm/W
175W	120-277VAC	25600lm	146lm/W	25600lm	146lm/W
175W	347-480VAC	25000lm	143lm/W	25000lm	143lm/W
200W	120-277VAC	29800lm	149lm/W	29800lm	149lm/W
200W	347-480VAC	30000lm	150lm/W	30000lm	150lm/W

ELECTRICAL DATA

Number Of Drivers	Driver Current (mA)	Nominal Power (W)	INPUT VOLTAGE (V)	CURRENT (Amps)
2	3500	135	120	1.17
		135	208	0.67
		135	240	0.58
		135	277	0.51
	3700	135	347	0.40
		135	480	0.29
2	4540	175	120	1.50
		175	208	0.87
		175	240	0.75
		175	277	0.65
		175	347	0.55
		175	480	0.40
2	5200	200	120	1.75
		200	208	1.01
		200	240	0.88
		200	277	0.76
		200	347	0.63
		200	480	0.46

DIMENSION

unit: inch/mm



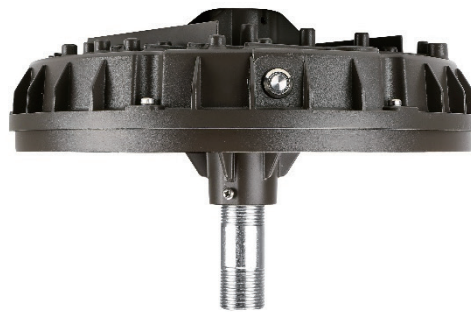
Weight
 135W: 10.39 lbs
 175W: 10.86 lbs
 200W: 10.87 lbs

Weight
 135W: 15.16 lbs
 175W: 15.73 lbs
 200W: 15.84 lbs

ACCESSORIES



Motion Sensor
Integrated motion sensor available for on/off and dimming control for maximum energy savings.



Emergency Box
Emergency battery pack would provide the necessary brightness in emergency situations.
Applicable ambient temperature is 10°C (50°F) to 40°C (104°F).

ORDERING GUIDE

Example: MHB04175W27V50KD

Fixture Type	Wattage	Voltage	CCT	Finish	Sensor (Option)	Backup Battery (Option)	Internal Code
<input type="text"/>	<input type="text"/>	<input type="text"/>	<input type="text"/>	<input type="text"/>	<input type="text"/>	<input type="text"/>	<input type="text"/>
MHB04 High Bay	135 135W 175 175W 200 200W	27V 120-277V 48V 347-480V	40K 4000K 50K 5000K	D Dark Bronze B Black W White	M With Sensor Blank Without Sensor	B Emergency Battery Blank Without Emergency Battery	Blank Alphanumeric

DLC Model NO

SYSTEM WATTS	VOLTAGE	CCT	LED NO.	DLC NO.	DLC Classification
135W	120-277V	4000K	3030	MHB04135W27V40K[D,B,W][Blank,M][Blank,B][0-9,A-Z,a-z,Blank]	Premium
		5000K	3030	MHB04135W27V50K[D,B,W][Blank,M][Blank,B][0-9,A-Z,a-z,Blank]	Premium
	347-480V	4000K	3030	MHB04135W48V40K[D,B,W][Blank,M][Blank,B][0-9,A-Z,a-z,Blank]	Premium
		5000K	3030	MHB04135W48V50K[D,B,W][Blank,M][Blank,B][0-9,A-Z,a-z,Blank]	Premium
175W	120-277V	4000K	3030	MHB04175W27V40K[D,B,W][Blank,M][Blank,B][0-9,A-Z,a-z,Blank]	Premium
		5000K	3030	MHB04175W27V50K[D,B,W][Blank,M][Blank,B][0-9,A-Z,a-z,Blank]	Premium
	347-480V	4000K	3030	MHB04175W48V40K[D,B,W][Blank,M][Blank,B][0-9,A-Z,a-z,Blank]	Premium
		5000K	3030	MHB04175W48V50K[D,B,W][Blank,M][Blank,B][0-9,A-Z,a-z,Blank]	Premium
200W	120-277V	4000K	3030	MHB04200W27V40K[D,B,W][Blank,M][Blank,B][0-9,A-Z,a-z,Blank]	Premium
		5000K	3030	MHB04200W27V50K[D,B,W][Blank,M][Blank,B][0-9,A-Z,a-z,Blank]	Premium
	347/480V	4000K	3030	MHB04200W48V40K[D,B,W][Blank,M][Blank,B][0-9,A-Z,a-z,Blank]	Premium
		5000K	3030	MHB04200W48V50K[D,B,W][Blank,M][Blank,B][0-9,A-Z,a-z,Blank]	Premium