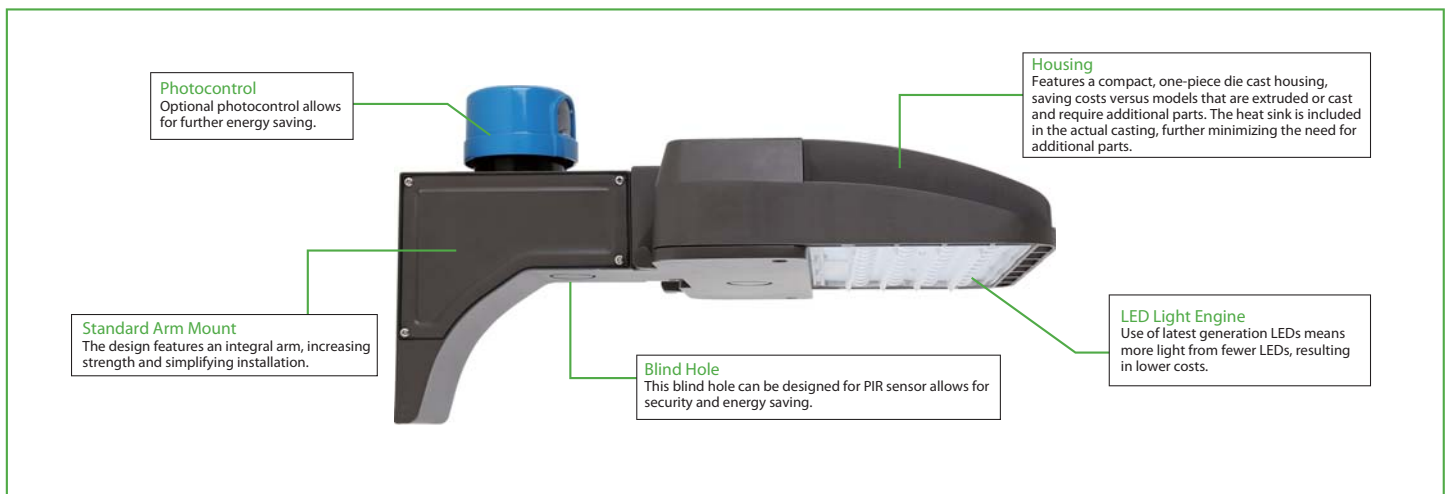


Applications:

Auto dealerships, parking lots, walkways, roadways, campuses, facade lighting, grocery stores and other public areas.

Features

- The one piece die-cast aluminum housing with UV resistant polycarbonate optical lens, outstanding corrosion protection.
- Lumen output from 5400-13400lm with efficacy up to 136lm/W.
- Various distribution patterns including Type III 、 Type IV and Type V
- Suitable for mounting heights ranging from 10-32' in area lighting applications
- Round pole, Square pole, slipfitter and wall mount
- Optional for photocell. Increase energy savings with bi-level motion sensor
- Voltage is 120-277V or 347/480V and support 0-10V dimmable
- Fixtures are suitable for use in ambients from -40°C to 45°C (-40°F to 113°F).
- Expected service life is over 100,000 hrs and 5 year limited warranty
- UL Wet location listed and DLC qualified



PERFORMANCE DATA

			4000K(70CRI)					5000K(70CRI)				
SYSTEM WATTS	INPUT VOLTAGE	DIST. TYPE	LUMENS	LPW	B	U	G	LUMENS	LPW	B	U	G
40W	120-277V	3	5400lm	135 lm/W	1	0	1	5450lm	136 lm/W	1	0	1
		4	5350lm	134 lm/W	1	0	1	5400lm	135 lm/W	1	0	1
		5	5600lm	140 lm/W	2	0	1	5600lm	140 lm/W	2	0	1
70W	120-277V	3	9000lm	129 lm/W	2	0	2	9000lm	129 lm/W	2	0	2
		4	8750lm	125 lm/W	2	0	2	8800lm	126 lm/W	2	0	2
		5	9500lm	136 lm/W	3	0	1	9500lm	136 lm/W	3	0	1
75W	347/480V	3	9000lm	120 lm/W	2	0	2	9000lm	120 lm/W	2	0	2
		4	8750lm	117 lm /W	2	0	2	8800lm	117 lm /W	2	0	2
		5	9500lm	127 lm/W	3	0	1	9500lm	127 lm/W	3	0	1
105W	120-277V	3	13400lm	128 lm/W	3	0	2	13400lm	128 lm/W	3	0	2
		4	13000lm	124 lm/W	3	0	2	13100lm	125 lm/W	3	0	2
		5	13400lm	128 lm/W	3	0	1	13400lm	128 lm/W	3	0	1
110W	347/480V	3	13400lm	122 lm/W	3	0	2	13400lm	122 lm/W	3	0	2
		4	13000lm	118 lm/W	3	0	2	13100lm	119 lm/W	3	0	2
		5	13400lm	122 lm/W	3	0	1	13400lm	122 lm/W	3	0	1

EPA OF AREA LIGHT

Item							
	1	2 @90°	2 @120°	2@180°	3 @90°	3 @120°	4 @90°
40W/70W/105W	0.626	0.705	0.974	0.981	0.982	0.977	0.982

ELECTRICAL DATA

Number Of Drivers	Driver Current (mA)	Nominal Power (W)	INPUT VOLTAGE (V)	CURRENT (Amps)
1	980	40	120	0.33
		40	208	0.19
		40	240	0.17
		40	277	0.14
1	1750	70	120	0.58
		70	208	0.34
		70	240	0.29
		70	277	0.25
		75	347	0.22
		75	480	0.16
1	2600	105	120	0.88
		105	208	0.50
		105	240	0.44
		105	277	0.38
		110	347	0.32
		110	480	0.23

MOUNTING

- Standard versatile mounting arm accommodates multiple drilling patterns as well as square and round poles
- Wall Mount available for direct wall mounting and J-box mounting
- Optional for cast aluminum slipfitter mounting adapter (Compatible with more MESTER mounting adaptors such as Tenon, suits for various application)

Mounting Options



Arm Mount (4" and 5" Square and Round poles)
Standard versatile mounting arm is simple to install and can be used with existing poles for retrofit installations.

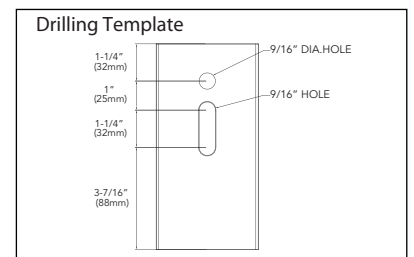
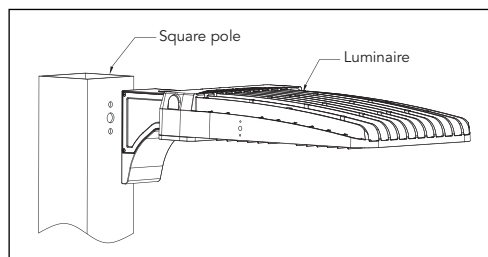
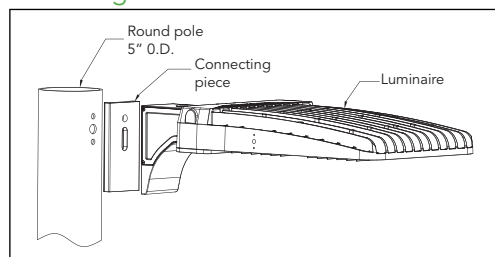


Slipfitter Mount
An optional cast aluminum mast arm adapter secures fixture head to nominal 2"(2-3/8" O.D. pipe size) horizontal steel tenon arm.



Wall Mount
Wall Mount is easy to install for direct wall mounting with 1/2" conduit wiring or standard J-box mounting

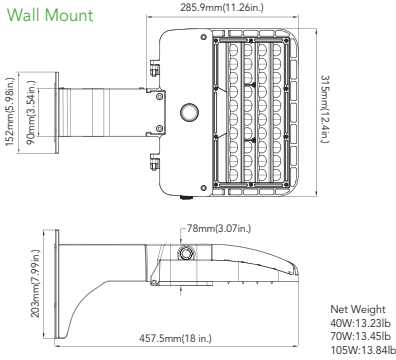
Mounting Dimensions



DIMENSION

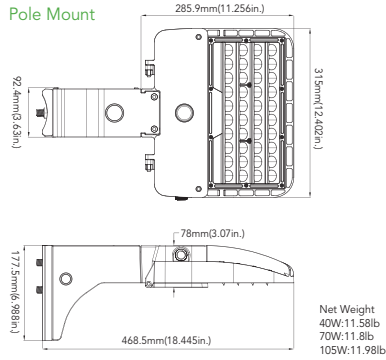
unit: inch/mm

Wall Mount



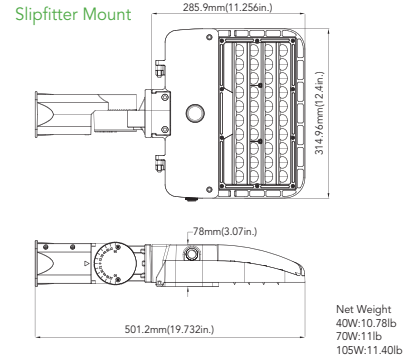
Net Weight
40W:13.23lb
70W:13.45lb
105W:13.84lb

Pole Mount



Net Weight
40W:11.58lb
70W:11.8lb
105W:11.98lb

Slipfitter Mount



Net Weight
40W:10.78lb
70W:11lb
105W:11.40lb

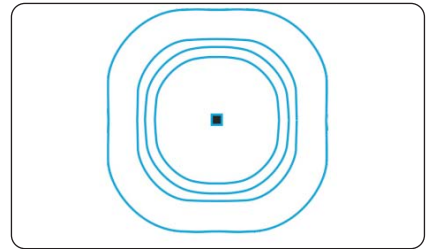
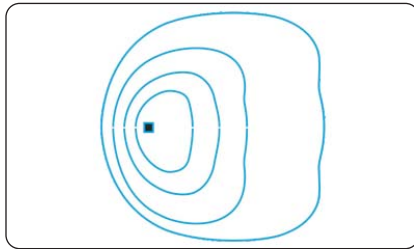
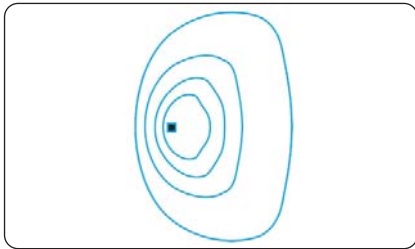
PHOTOMETRICS

Mester offers a complete set of optical systems to meet every site lighting requirement. These systems provide remarkable flexibility in precisely matching light distribution patterns to specific site requirements.

Type 3:
Type 3 optics produce an asymmetrical pattern that directs the majority of the light forward and equally on both sides of the luminaire. In a back-to-back configuration, it creates a rectangular pattern which can extend pole spacings.

Type 4:
Type 4 is suitable for applications where light is primarily required forward with minimal backlight. Typical installations include perimeter poles.

Type 5:
Type 5 optics produce a symmetrical square distribution pattern that distributes light equally on all sides of the luminaire. Type 5 luminaires is universal for most area lighting applications



ORDERING GUIDE

Example:AL 40W 27V XXX YYY YYY

Fixture Type	Wattage	Voltage	CCT	Finish	Photocell (Option)	Sensor (Option)	Mounting	Photometry	Surge Protection (Option)
AL	40 40W	27V 120-277V	40K 4000K	D Dark Bronze	P0 120-277V Photocell	M With 120-277V Sensor	SQ Square Pole Mount	T3 TYPE III Photometry	S Surge protection
Area	70 70W	48V 347/480V	50K 5000K	B Black	P3 347V Photocell	M4 With 347-480V Sensor	SP Slipfitter Mount	T4 TYPE IV Photometry	(Blank) No Surge protection
Light	75 75W			W White	P4 480V Photocell	Blank Without Sensor	WM Wall Mount	T5 TYPE V Photometry	
	105 105W			SG Silver Gray	Blank Without Photocell				
	110 110W								

Note: 1. The Watt is 70W when the voltage is 120-277V, while when it is 347/480V, the watt is 75W.
2. The Watt is 105W when the voltage is 120-277V, while when it is 347/480V, the watt is 110W.
3. 40W can't support high voltage 347/480V.

ADDITIONAL MOUNTING ACCESSORIES

POLE BRACKET • For mounting one fixture on an existing pole

	<p>4" Square Pole Mount with 2-3/8" O.D. Tenon No. 4SQ-SP-D Finish: Dark Bronze USE: For use with square, non-tapered steel and aluminum poles. Furnished with four 5/16" hex head stainless-steel bolts. Vertical tenon measures 2-3/8" O.D., and is made of steel tubing. Fixtures mounted to this bracket can be adjusted both vertically and horizontally.</p>		<p>4" Round Pole Mount with 2-3/8" O.D. Tenon NO. 4SQR-SP-D Finish: Dark Bronze USE: For use with Round, non-tapered steel and aluminum poles. Furnished with three 3/8" hex head stainless-steel bolts. Vertical tenon measures 2-3/8" O.D., and is made of steel tubing. Fixtures mounted to this bracket can be adjusted both vertically and horizontally.</p>
	<p>5" Square Pole Mount with 2-3/8" O.D. Tenon No. 5SQ-SP-D Finish: Dark Bronze USE: For use with square, non-tapered steel and aluminum poles. Furnished with four 5/16" hex head stainless-steel bolts. Vertical tenon measures 2-3/8" O.D., and is made of steel tubing. Fixtures mounted to this bracket can be adjusted both vertically and horizontally.</p>		<p>5" Round Pole Mount with 2-3/8" O.D. Tenon NO. 5SQR-SP-D Finish: Dark Bronze USE: For use with Round, non-tapered steel and aluminum poles. Furnished with three 3/8" hex head stainless-steel bolts. Vertical tenon measures 2-3/8" O.D., and is made of steel tubing. Fixtures mounted to this bracket can be adjusted both vertically and horizontally.</p>
	<p>Pole Bracket accessories-Tenon & Yoke Adaptor NO. SP-TR-D Finish: Dark Bronze USE: The 2-3/8" OD Tenon Mount Adaptor for Yoke Fixtures is designed to mount MESTER light fixtures that are equipped with a yoke mount onto a 2-3/8" OD tenon. It may be utilized with the Mester Flood Light Series of light fixtures.</p>		

ADDITIONAL MOUNTING ACCESSORIES

WALL BRACKET		Mid-Pole tenon Bracket	
<ul style="list-style-type: none"> Attaches to any flat surface Provides wiring access 			
	<p>90° Wall Mount Bracket with 2-3/8" O.D. Tenon NO. WM-SP-D Finish: Dark Bronze USE: The 90° wall mount bracket with 2-3/8" tenon attaches an MESTER floodlight to almost any surface: wall, roof, or wood pole. Provides wiring access and abuilt-in 2-3/8" O.D. tenon to mount a fixture with our adjustable slipfitter. Suggested 3/8" diameter bolts for mounting. Mounting holes are spaced 3-1/4" apart.</p>		<p>2-3/8" OD Horizontal Tenon Mid-Pole Bracket NO. SQ-SP-D Finish: Dark Bronze USE: 2-3/8" OD Horizontal Tenon Mid-Pole Bracket is designed to mount light fixture that is equipped with a adjustable slipfitter onto a 2-3/8" OD horizontal tenon</p>
Round External Mount Horizontal Tenon · To mount 2/3/4 fixtures on a existing pole			
	<p>Double 90° Horizontal Tenon Adaptor NO. R60-SP2-90-D Finish: Dark Bronze USE: The Bracket is designed to mount over 2-3/8" (60mm) O.D. vertical tenon. Two fixtures can be mounted to the Round External Mount Horizontal Tenon and adjusted horizontally</p>		<p>Triple 120° Horizontal Tenon Adaptor NO. R60-SP3-120-D Finish: Dark Bronze USE: The Bracket is designed to mount over 2-3/8" (60mm) O.D. vertical tenon. Three fixtures can be mounted to the Round External Mount Horizontal Tenon and adjusted horizontally</p>
	<p>Double 180° Horizontal Tenon Adaptor NO. R60-SP2-180-D Finish: Dark Bronze USE: The Bracket is designed to mount over 2-3/8" (60mm) O.D. vertical tenon. Two fixtures can be mounted to the Round External Mount Horizontal Tenon and adjusted horizontally</p>		<p>Quad 90° Horizontal Tenon Adaptor NO. R60-SP4-90-D Finish: Dark Bronze USE: The Bracket is designed to mount over 2-3/8" (60mm) O.D. vertical tenon. Four fixtures can be mounted to the Round External Mount Horizontal Tenon and adjusted horizontally</p>
	<p>Triple 90° Horizontal Tenon Adaptor NO. R60-SP3-90-D Finish: Dark Bronze USE: The Bracket is designed to mount over 2-3/8" (60mm) O.D. vertical tenon. Three fixtures can be mounted to the Round External Mount Horizontal Tenon and adjusted horizontally</p>		

BACKLIGHT CONTROL ACCESSORIES

<p>Backlight Control NO. SC-AL01-100W-BA USE: It will reduce the light spill behind the pole. Finish: Black</p>

DLC Model NO.

SYSTEM WATTS	VOLTAGE	CCT	DIST.TYPE	DLC NO.	DLC Classification
40W	120-277V	4000K	3	AL40W27V40K[D,B,W,SG][Blank,P0][Blank,M][SQ,SP,WM]T3[Blank,S]	Standard
	120-277V	5000K	3	AL40W27V50K[D,B,W,SG][Blank,P0][Blank,M][SQ,SP,WM]T3[Blank,S]	Standard
70W	120-277V	3000K	3	AL70W27V30K[BDWSG][Blank,P0P1][Blank,M][SQSPWM]T3[Blank,S]	Standard
	120-277V	3500K	3	AL70W27V35K[BDWSG][Blank,P0P1][Blank,M][SQSPWM]T3[Blank,S]	Standard
	120-277V	4000K	3	AL70W27V40K[BDWSG][Blank,P0P1][Blank,M][SQSPWM]T3[Blank,S]	Standard
	120-277V	5000K	3	AL70W27V50K[BDWSG][Blank,P0P1][Blank,M][SQSPWM]T3[Blank,S]	Standard
105	120-277V	3000K	3	AL105W27V30KYYY[SQ]T3Y	Standard
	120-277V	3500K	3	AL105W27V35KYYY[SQ]T3Y	Standard
	120-277V	4000K	3	AL105W27V40KYYY[SQ]T3Y	Standard
	120-277V	5000K	3	AL105W27V50KYYY[SQ]T3Y	Standard
110	347/480V	3000K	3	AL110W48V30KYYY[SQ]T3Y	Standard
	347/480V	3500K	3	AL110W48V35KYYY[SQ]T3Y	Standard
	347/480V	4000K	3	AL110W48V40KYYY[SQ]T3Y	Standard
	347/480V	5000K	3	AL110W48V50KYYY[SQ]T3Y	Standard