



Area/Parking Lot Shoebox LED light



Date:..... Location:

Product:..... Project:.....

Quantity:..... Catalog#

FEATURES

- Multiple mounts Available. Easy install
- 100-277V or 480V input voltage available.
- Low profile housing with enhanced thermal heat sink.
- 6kV built-in plus 10kV external surge protection
- 50,000hrs Life time.

SUITABLE APPLICATIONS

- Warehouses
- Stadiums
- Factories
- Parking Lots
- Shopping Malls
- Supermarkets
- Logistic Centers
- Auto dealerships

CONSTRUCTION:

Heavy die-cast aluminum alloy housing with bronze powder-coated finish.

ELECTRICAL:

Available as 120-277V or 480V input. -20°C to 45°C,

OPTICAL SYSTEM:

High brightness lumileds LED chips.
Special PC lens with TYPE III and TYPE V distribution

INSTALLATION&MOUNTING:

Wall Mounting/Pole Mounting with Different Mount bracket for easy installation.

WARRANTY:

5-year limited warranty. Actual performance may differ as a result of end-user environment and application.

CONTROLS&DIMMING

0-10V dimming comes standard.

PERFORMANCE

Model NO	Wattage	BUG	Voltage/CurrentInput			Light Efficiency	Kelvin Options
			120V	277V	480V		
LS-ESBV7E100WAT3A1	100W	B3-U0-G3	0.83A	0.36A	0.20A	130LM/W	3000K/4000K/5000K
LS-ESBV7E150WAT3A1	150W	B3-U0-G3	1.25A	0.54A	0.31A	130LM/W	3000K/4000K/5000K
LS-ESBV7E200WAT3A1	200W	B4-U0-G3	1.66A	0.72A	0.41A	130LM/W	3000K/4000K/5000K
LS-ESBV7E240WAT3A1	240W	B4-U0-G4	2.00A	0.72A	0.41A	130LM/W	3000K/4000K/5000K
LS-ESBV7E300WAT3A1	300W	B4-U0-G4	2.50A	1.08A	0.62A	130LM/W	3000K/4000K/5000K

Optional Mount Bracket:



AM Slipfitter Mount



DM Direct Mount



YM Yoke Mount

Optional Functions:



Occupancy sensor options

Photocell sensor options



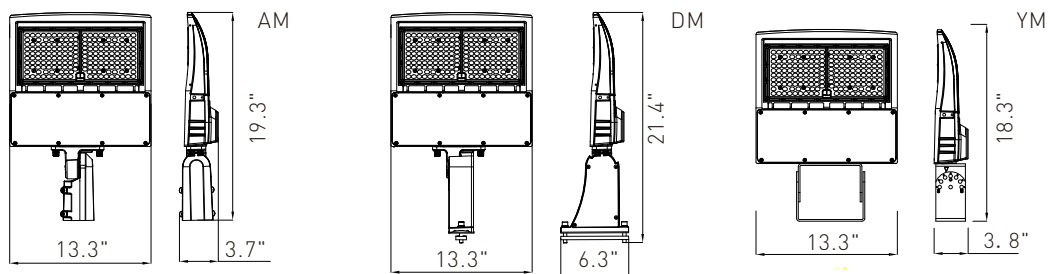
Electric Characteristic

Specification/Model	LS-ESBV7E100WAT3A1	LS-ESBV7E150WAT3A1	LS-ESBV7E200WAT3A1	LS-ESBV7E240WAT3A1	LS-ESBV7E300WAT3A1
LED Driver	UL listed BECKY Brand 0-10V dimmable				
Input power	100W	150W	200W	240W	300W
Lumens output	13000LM	19500LM	26000LM	31200LM	39000LM
Efficiency	130LM/W	130LM/W	130LM/W	130LM/W	130LM/W
CRI	>72	>72	>72	>72	>72
Color Temperature	5000K	5000K	5000K	5000K	5000K
Input voltage	120-277V/AC	120-277V/AC	120-277V/AC	120-277V/AC	120-277V/AC
Light distribution type	TYPE III or TYPE V	TYPE III or TYPE V	TYPE III or TYPE V	TYPE III or TYPE V	TYPE III or TYPE V
Working temperature	-20+45°C	-20+45°C	-20+45°C	-20+45°C	-20+45°C
Junction temperature	<75°C	<75°C	<75°C	<75°C	<75°C
lamps efficiency	≥90%	≥90%	≥90%	≥90%	≥90%
Certificate	UL CUL DLC	UL CUL DLC	UL CUL DLC	UL CUL DLC	UL CUL DLC
Equivalent	200-300W MH/HPS	300-450W MH/HPS	450-600W MH/HPS	600-800W MH/HPS	800-1000W MH/HPS

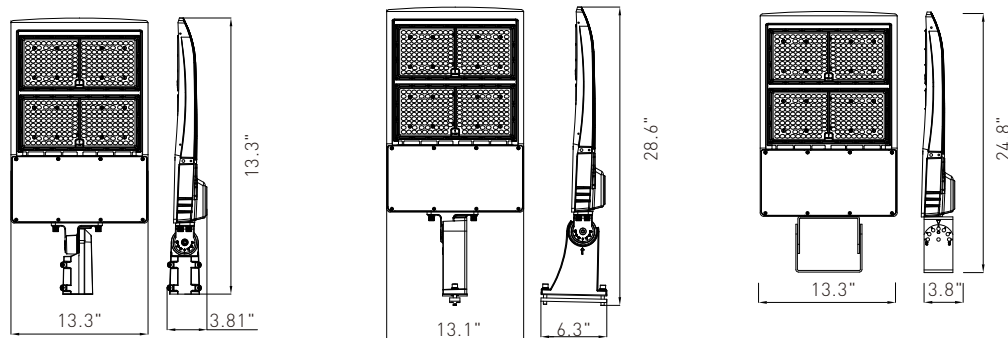
Electric Characteristic

Specification/Model	LS-ESBV7150WCT3H1	LS-ESBV7300WCT3H1
LED Driver	UL listed SOSEN LED DRIVER 0-10V dimmable	
Input power	150W	300W
Lumens output	19500LM	5000LM
Efficiency	130LM/W	130LM/W
CRI	>72	>72
Color Temperature	5000K	5000K
Input voltage	277-480V/AC	277-480V/AC
Light distribution type	120D	120D
Working temperature	-20+45°C	-20+45°C
Junction temperature	<75°C	<75°C
lamps efficiency	≥90%	≥90%
Certificate	UL CUL DLC	UL CUL DLC
Equivalent	300-450W MH/HPS	800-1000WMH/HPS

DIMENSION



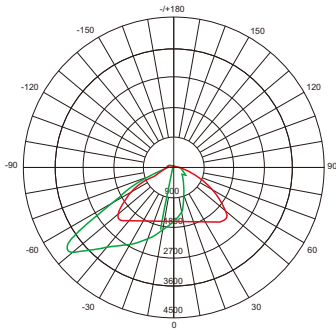
100W/150W



200W/240W/300W

DISTRIBUTION DIAGRAM

LS-ESBV7E100WAT3A1

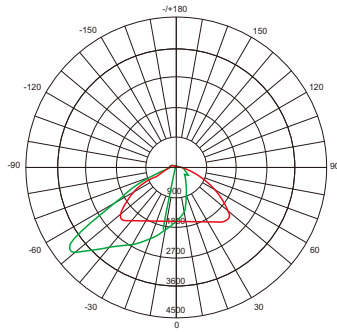


AVERAGE BEAM ANGLE(50%): 122°

UNIT:CD
 Test Number:LS-ESBV7E100WAT3A1
 Lumens:13000LM
 Test Number:100W
 Test Number:5000K

UNIT:CD
 - C0/180,113.7
 - C30/210,100.1
 - C60/240,108.6
 - C90/270,130.9

LS-ESBV7E150WAT3A1

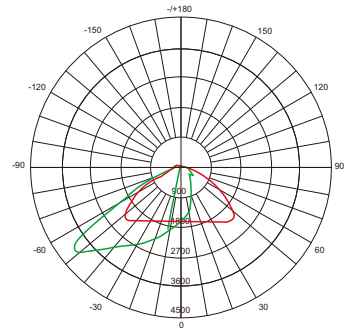


AVERAGE BEAM ANGLE(50%): 122°

UNIT:CD
 Test Number:LS-ESBV7E150WAT3A1
 Lumens:19500LM
 Test Number:150W
 Test Number:5000K

UNIT:CD
 - C0/180,113.7
 - C30/210,100.1
 - C60/240,108.6
 - C90/270,130.9

LS-ESBV7E200WAT3A1

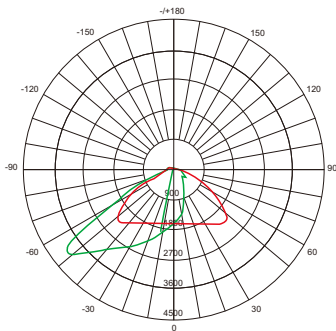


AVERAGE BEAM ANGLE(50%): 122°

UNIT:CD
 Test Number:LS-ESBV7E200WAT3A1
 Lumens:26000LM
 Test Number:200W
 Test Number:5000K

UNIT:CD
 - C0/180,113.7
 - C30/210,100.1
 - C60/240,108.6
 - C90/270,130.9

LS-ESBV7E240WAT3A1

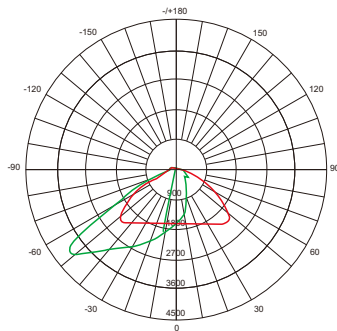


AVERAGE BEAM ANGLE(50%): 122°

UNIT:CD
 Test Number:LS-ESBV7E240WAT3A1
 Lumens:31200LM
 Test Number:240W
 Test Number:5000K

UNIT:CD
 - C0/180,113.7
 - C30/210,100.1
 - C60/240,108.6
 - C90/270,130.9

LS-ESBV7E300WAT3A1



AVERAGE BEAM ANGLE(50%): 122°

UNIT:CD
 Test Number:LS-ESBV7E300WAT3A1
 Lumens:39000LM
 Test Number:300W
 Test Number:5000K

UNIT:CD
 - C0/180,113.7
 - C30/210,100.1
 - C60/240,108.6
 - C90/270,130.9