

LED RETROFIT KITS INSTALLATION GUIDE

DANGER - READ ALL INSTRUCTIONS BEFORE INSTALLATION, AND USE A LICENSED ELECTRICIAN TO PERFORM THE INSTALLATION!

DANGER - CONFIRM THAT THE LINE VOLTAGE IS CORRECT FOR THE DRIVER!!



- * IDEAL REPLACEMENT OF HPS/MH
- * EASY INSTALLATION, NO NEED TO CHANGE EXISTING FIXTURE
- * UL&cUL and DLC listed

IMPORTANT NOTICE

- * Never lead the luminaire directly to AC power supply without LED Driver.
- * Never take the retrofit apart. Never touch the LEDs. THIS MAY VOID THE WARRANTY.
- * Reflector must be removed. If not, IT WILL VOID THE WARRANTY.
- * Never dim a non-dimmable LED driver.
- * Not intended for use with emergency exits or emergency lights.

* CIRCUIT DIAGRAM

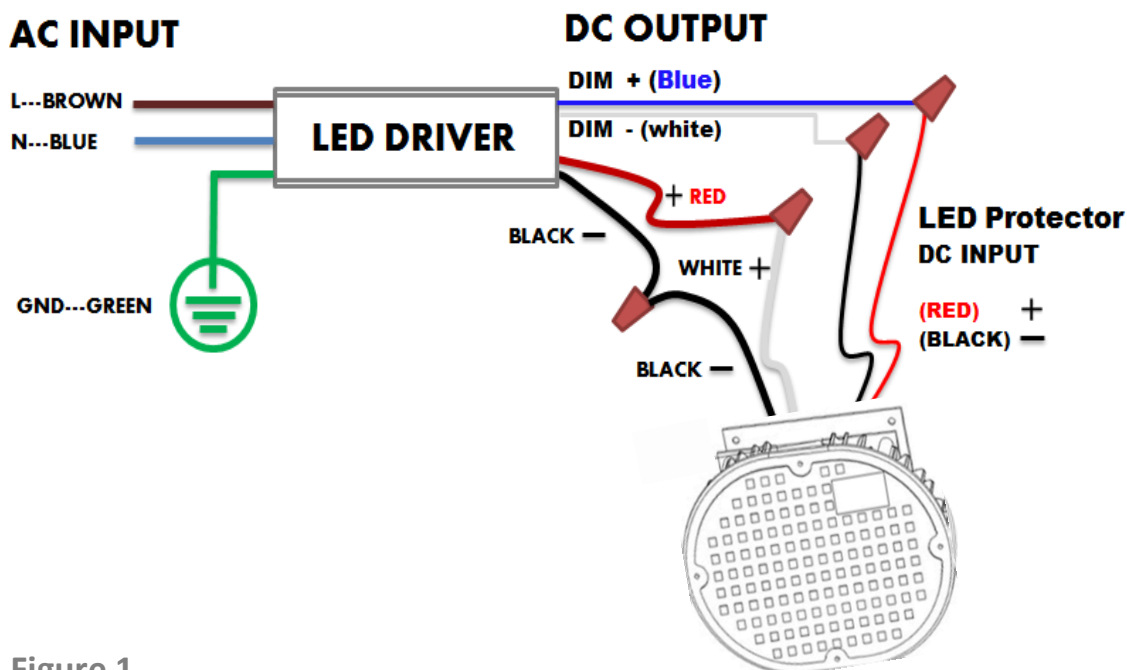


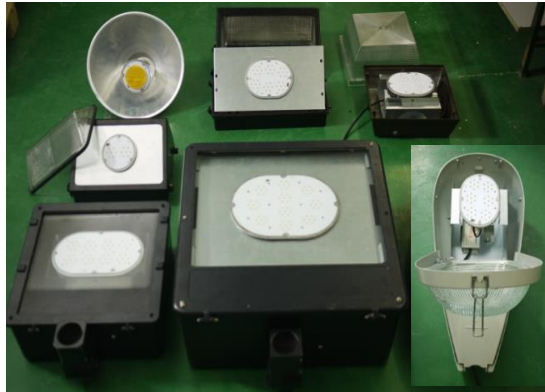
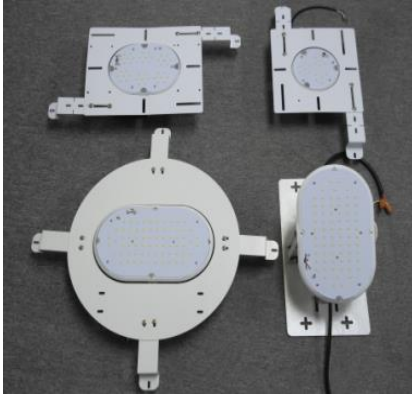
Figure 1

Notice: The driver has extra 2 dimming function wires (DIM +/-), they should be connected to the LED protector.

INSTALLATION-1

Mounting Plate (Customized Accessories) **DLC UL&cUL listed**

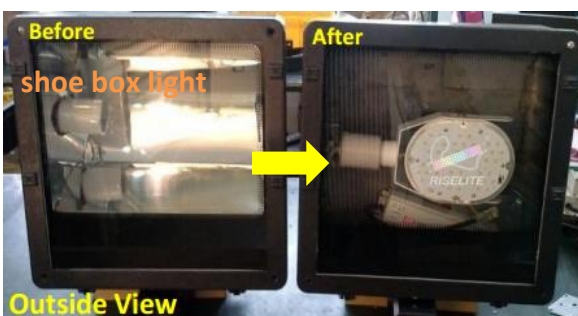
- Step-1 Remove the reflector, socket(E26/E39), and all other existing components from the fixture.
- Step-2 Place retrofit plate into position in the fixture. Generally the reflector screw holes are used to hold the retrofit plate. If your driver is not installed on the plate, securely fasten the driver to the inside of the fixture.
- Step-3 Connect the driver's DC output wires to the retrofit kit by the supplied connectors.
- Step-4 Connect the driver's Positive(L), negative(N), and ground(G) to the existing wiring to the fixture using the snap-action connectors.
- * Secure any loose wires with zip ties to prevent them from interacting with the fan on the light module.
 - * **"This luminaire has been modified and can no longer operate the originally intended lamp"** shall be marked on the retrofit luminaire where readily visible by the user during normal maintenance during re-lamping.



INSTALLATION-2

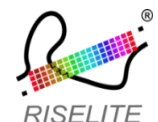
Bracket with E26/E39 Base (Equipped Accessories) **UL&CUL**

- Step-1 Remove the reflector, and all other existing components except socket(E26/E39) from the fixture.
- Step-2 Fix the retrofit into position in the fixture by E26/E39 socket. Fix the driver with the existing screw holes of reflector.
- Step-3 Connect the driver's DC output wires to the retrofit kit by the supplied connectors.
- Step-4 Connect the driver's Positive(L), negative(N), and ground(G) to the existing wiring to the fixture using the snap-action connectors.
- * The E26/E39 socket on the "Y" bracket is only for fix the retrofit kit, no power connection on it.
 - * Secure any loose wires with zip ties to prevent them from interacting with the fan on the light module.
 - * **"This luminaire has been modified and can no longer operate the originally intended lamp"** shall be marked on the retrofit luminaire where readily visible by the user during normal maintenance during re-lamping.



www.Rise-Lite.com sales@rise-lite.com

All right reserved @ RISELITE



RISELITE
May-20,2015