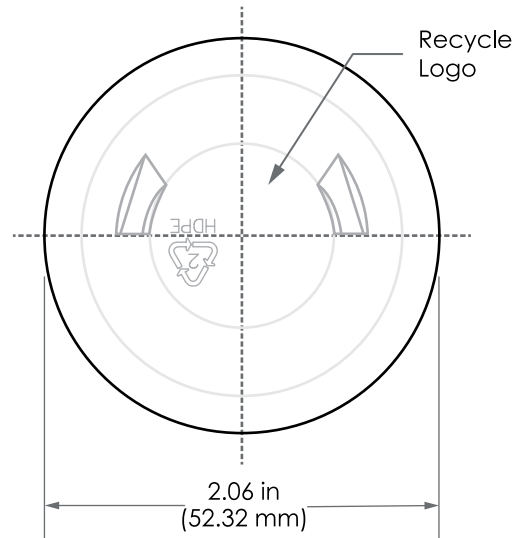
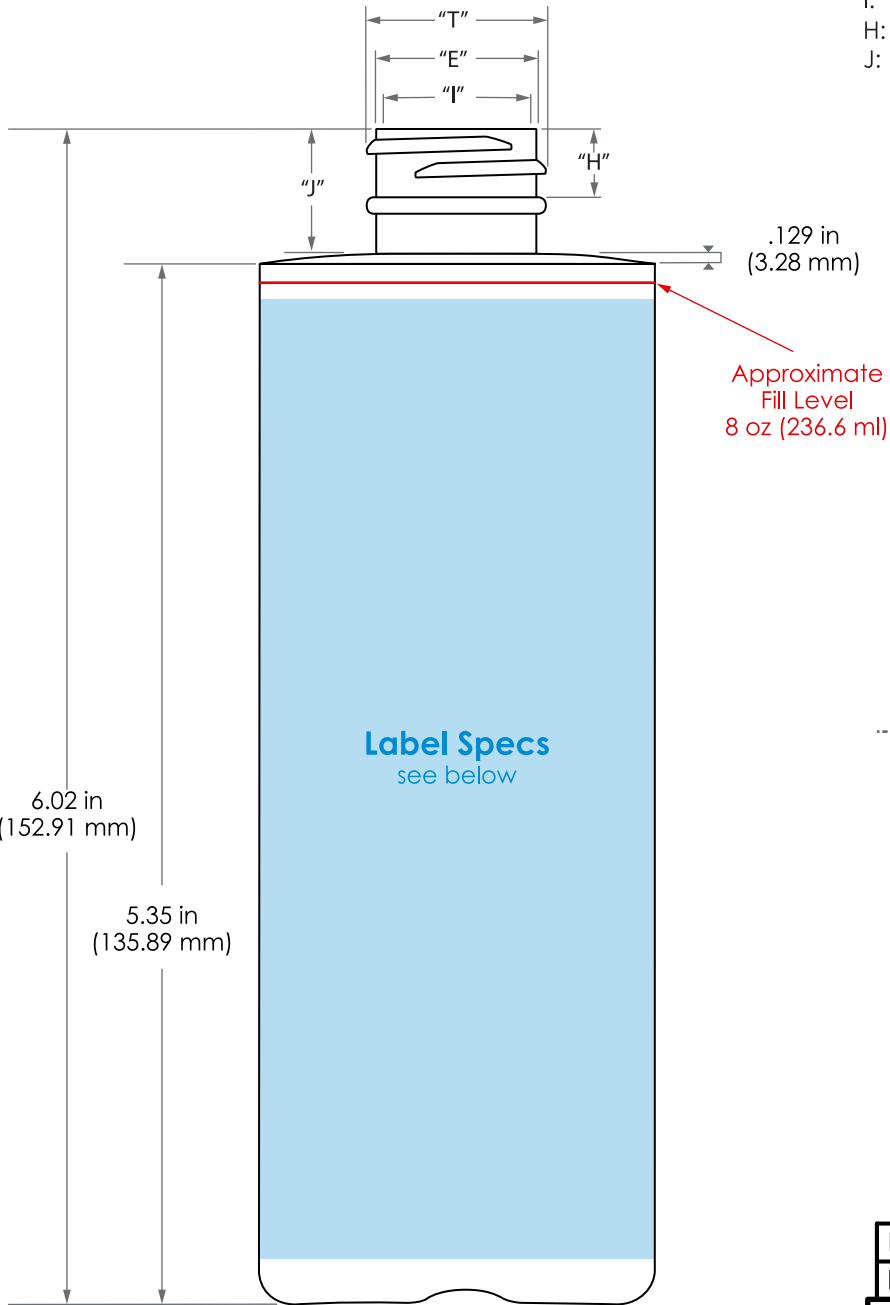


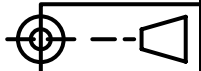
NOTE: SIZES ARE PRELIMINARY AND SUBJECT TO DEVELOPMENT

**Neck Details:**

T:	.932 in	(23.673 mm)
E:	.832 in	(21.133 mm)
I:	.69 in	(17.526 mm)
H:	.320±.05 in	(8.128 mm)
J:	.646 in	(16.41 mm)



Target Weight: 24 +/-2g



Revised:	
Revised:	

<b>8 oz HDPE Cylinder Bottle (Locally Made)</b>	
Material: High Density Polyethylene (HDPE)	
Neck: 24-410	Fill Vol: 236.6 ml
Scale: 1 : 1	Overflow: 248 ml +/- 7 ml
 <b>Aaron Packaging</b> 4000 150th Avenue Court East Sumner, WA 98390 360-889-0152 www.aaronpackaging.com	
Drawn by: DC	Dwg. no. : <b>23-07</b>
Created: 8/18/23	

**Label Specs:**

6.347 in (161.214 mm) L x 5 in (127 mm) H x .08 in (2.03 mm) CR  
 Note: Length accounts for .125 in space between label ends.