

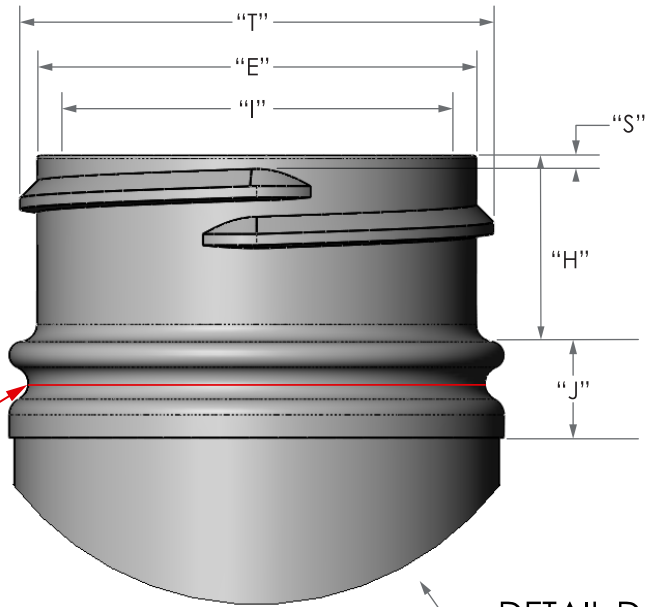
Notes:

M-Style thread, 6TPI, 1 turn
 The height of bottle is adjusted to adapt to caps.

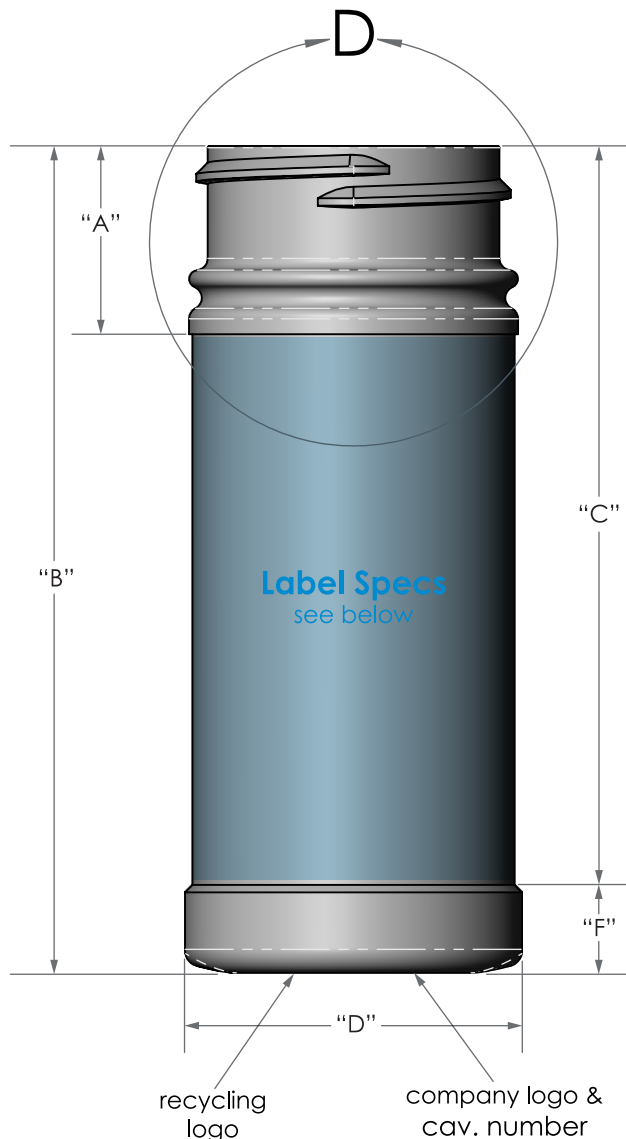
Neck Details:

- T: \varnothing 1.639 +/- .015 in (41.631 mm)
- E: \varnothing 1.520 +/- .015 in (38.608 mm)
- I: \varnothing 1.242 +/- .012 in (31.547 mm)
- H: \varnothing .648 +/- .015 in (16.46 mm)
- S: \varnothing .046 +/- .015 in (1.168 mm)
- J: \varnothing .362 +/- .015 in (9.2 mm)

Approximate
 Fill Level
 4 oz (119 ml)



DETAIL D
 SCALE 1.5 : 1



Body Details:

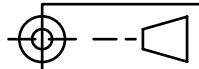
- A: \varnothing .962 +/- .015 in (24.435 mm)
- B: \varnothing 4.29 +/- .012 in (108.97 mm)
- C: \varnothing 3.830 +/- .012 in (97.282 mm)
- D: \varnothing 1.754 +/- .015 in (44.552 mm)
- F: \varnothing .46 +/- .015 in (11.684 mm)

Unless otherwise specified, all dimensions are in inches.

Tolerances :
 angular $\pm 3^\circ$
 x.xx ± 0.060 "
 x.xxx ± 0.050 "

NOTE: SIZES ARE PRELIMINARY AND SUBJECT TO DEVELOPMENT

Target Weight: 16 +/- 2 g



Revised:	
Revised:	
Revised:	
Revised: 11/14/23	logo, label specs

4oz PP Spice Bottle (43-485)

Material: Polypropylene (PP)	
Neck: 43-485	Fill Vol: 4oz (119 ml)
Scale: 1 : 1 (1.5)	Overflow: 130 ml +/- 8 ml



Aaron Packaging
 4000 150th Avenue Court East
 Sumner, WA 98390
 360-889-0152
 www.aaronpackaging.com

Drawn by: WC	Dwg. no. : 4012-04
Created: 12/15/22	Mold no. :

Label Specs:

5.153 in (130.89 mm) L x 2.745 in (69.723 mm) H x .08 in (2.03 mm) CR
 Note: Length accounts for .125 in space between label ends.