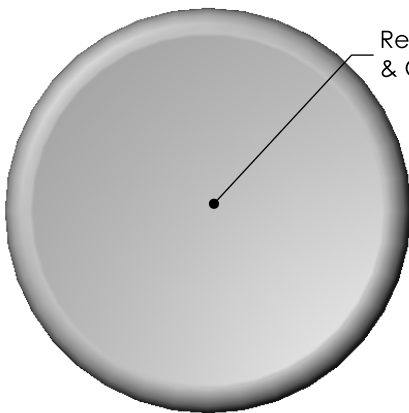
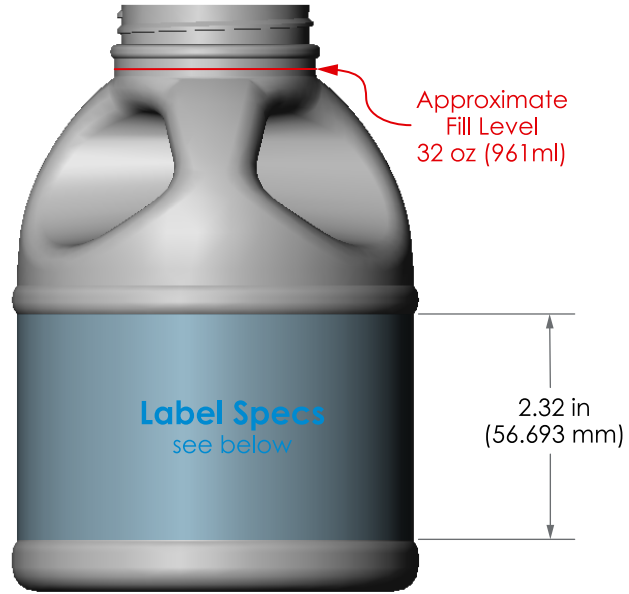
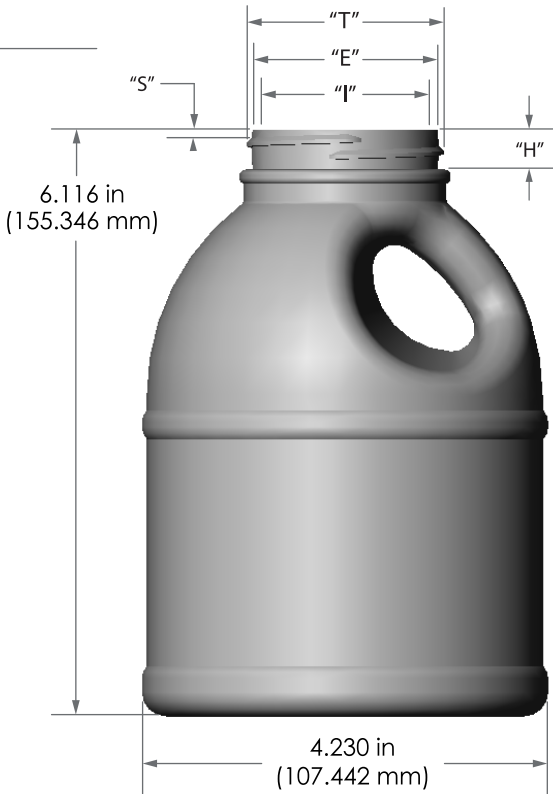
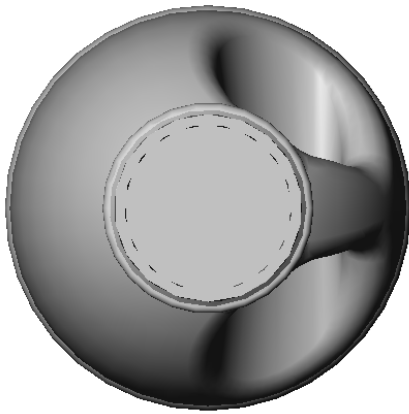


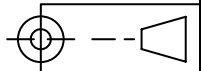
Neck Details:

T:	2.05 in	(39.624 mm)
E:	1.956 in	(49.682 mm)
I:	1.84±.015 in	(34.798 mm)
H:	.408 in	(10.363 mm)
S:	.46±.012 in	(11.684 mm)




Recycle logo (2), Aaron's logo & Cav. No. engraved

Target Weight: 39.5g



Revised: 7/14/2023	neck specs
Revised: 2/28/2023	label specs, address

32oz (3 lbs) Round Honey Jug	
Material: High Density Polyethylene (HDPE)	
Neck: 53-400	Fill Vol: 32 oz (961ml)
Scale: 2 : 1	Overflow: 983ml +/- 6ml
 Aaron Packaging 4000 150th Avenue Court East Sumner, WA 98390 360-889-0152 www.aaronpackaging.com	
Drawn by: EW	Dwg. no. : 3158
Created: 5/2010	

NOTE: SIZES ARE PRELIMINARY AND SUBJECT TO DEVELOPMENT

Label Specs:

12.787 in (324.790 mm) L x 2.195 in (55.753 mm) H x .08 in (2.03 mm) CR
 Note: Length accounts for .125 in space between label ends.