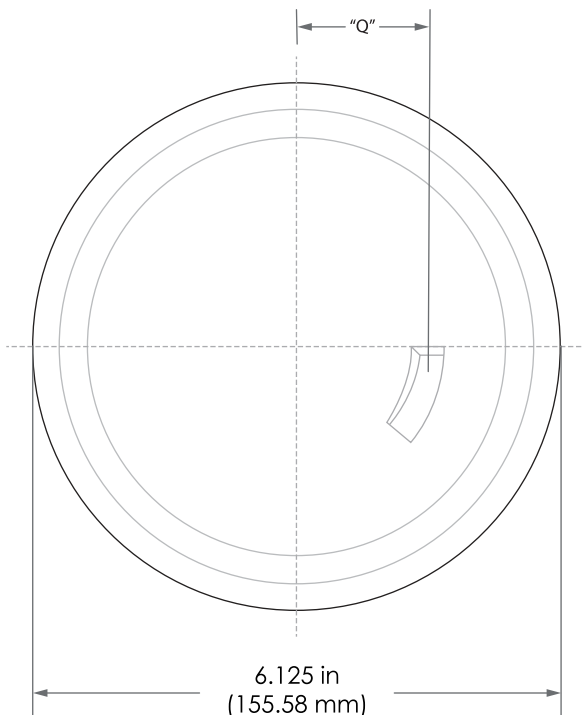
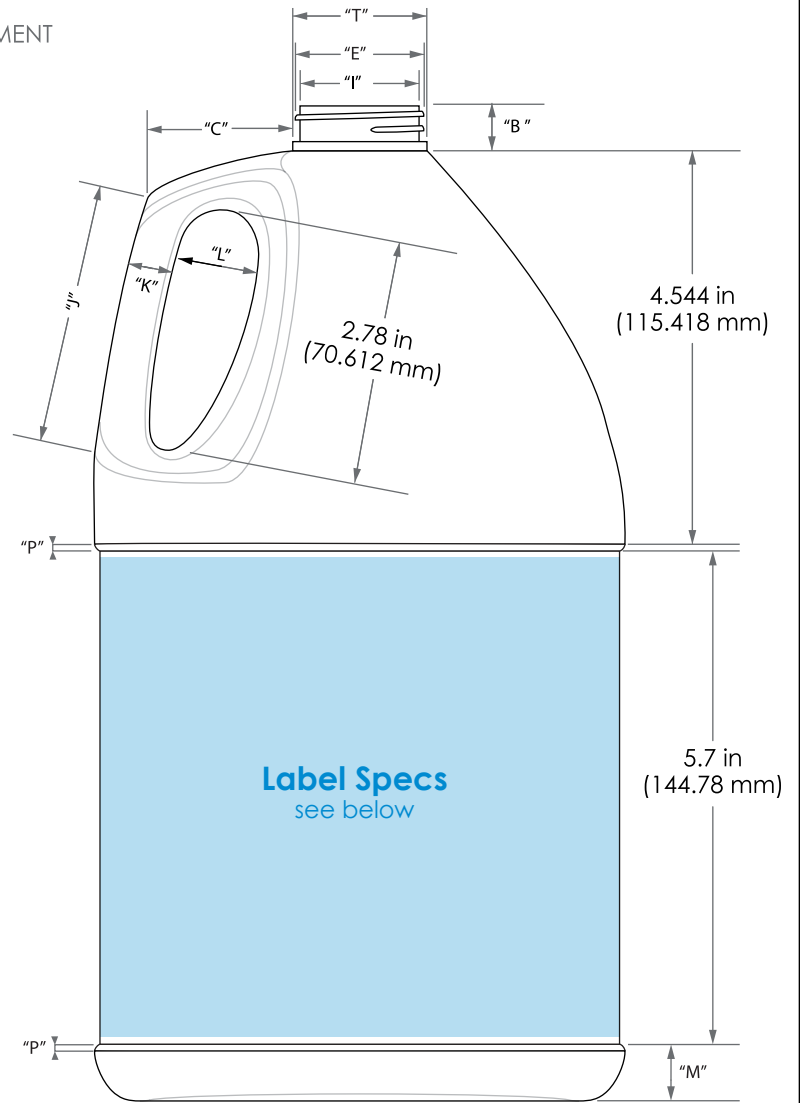
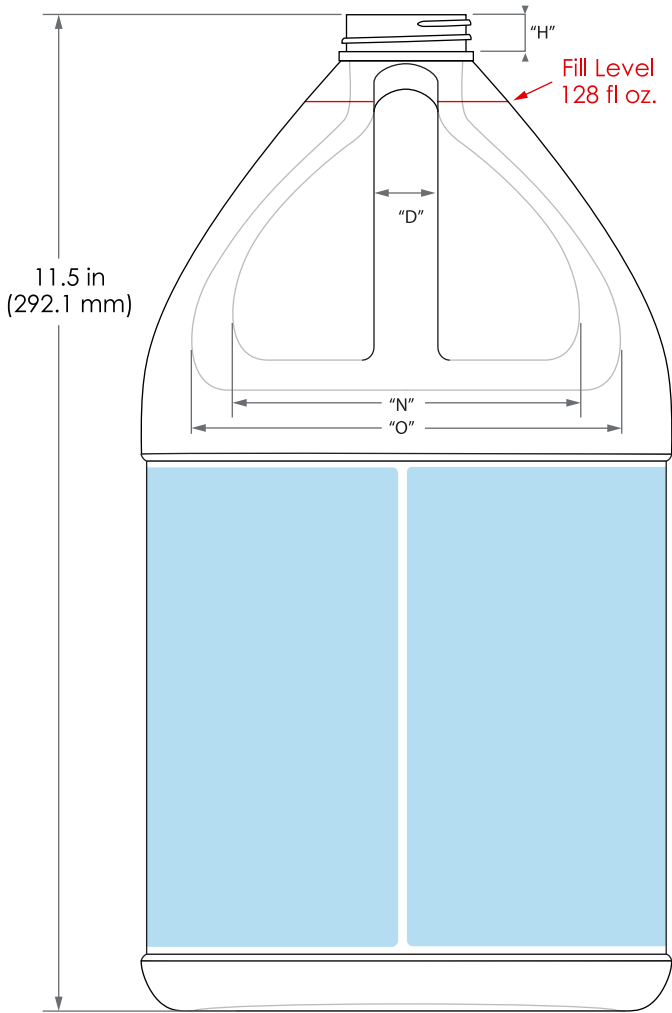


NOTE: SIZES ARE PRELIMINARY AND SUBJECT TO DEVELOPMENT

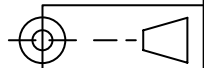


Neck Details:

- T: 1.55 in (39.37 mm)
- E: 1.46 in (36.084 mm)
- I: 1.36 in (34.544 mm)
- H: .428 in (10.871 mm)
- B: .387 in (9.83 mm)

Body Details:

- C: 1.324 in (33.62 mm)
- D: .738 in (18.75 mm)
- J: 3.082 in (78.26 mm)
- K: .664 in (16.86 mm)
- L: .894 in (22.71 mm)
- M: 2.652 in (67.36 mm)
- N: 4.53 in (115.062 mm)
- O: 5.025 in (127.64 mm)
- P: .055 in (1.397 mm)
- Q: 1.486 in (37.49 mm)



Revised: 7/25/23	updated specs
Revised: 5/12/23	Altered neck design

1 Gallon Industrial Round Bottle (Short Neck)	
Material: HDPE	
Neck: 38-400	Fill Vol: 128 oz. (41.196 ml)
Scale: .45 : 1	Target weight: 120 g
 Aaron Packaging 4000 150th Avenue Court East Sumner, WA 98390 360-889-0152 www.aaronpackaging.com	
Drawn by: DC	Dwg. no. : 23-01
Date: 01/27/2023	

Label Specs:

18.75 in (476.25 mm) L x 5.5 in (139.7 mm) H x .08 in (2.03 mm) CR
 Note: Length accounts for .125 in space between label ends.