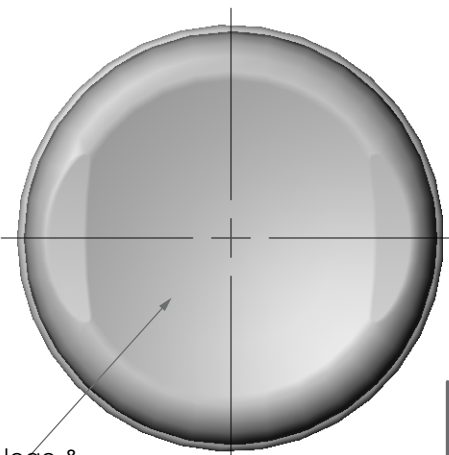


Neck Details:

- T: Ø 2.050 ± .012 in (52.07 mm)
- E: Ø 1.956 ± .012 in (49.682 mm)
- H: Ø .645 ± .015 in (16.002 mm)
- J: Ø .853 ± .015 in (21.666 mm)



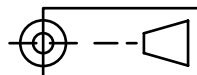
Recycle logo & cav. no. engraved

Unless otherwise specified, all dimensions are in inches.

Tolerances :
 angular ±
 x.xx ± 0.060"
 x.xxx ± 0.050"

Note: Sizes are preliminary and subject to development.

Target Weight: 18 ± 1.5g



Revised:	
Revised:	
Revised:	
Revised: 4/11/24	logo, address, label, weight

6oz K-Resin Spice Bottle (53-485)

Material: K-Resin Plastic	
Neck: (53-485)	Fill Vol: 6 oz (177 ml)
Scale: 1:1	Overflow: 220 ± 7 ml



Aaron Packaging
 4000 150th Avenue Court East
 Sumner, WA 98390
 360-889-0152
 www.aaronpackaging.com

Drawn by: CML EW	Dwg. no. : 3379
Created: 16/20/12	Mold no. :

Label Specs:

6.629 in (168.377 mm) L x 2.517 in (63.932 mm) H x .08 in (2.03 mm) CR
 Note: Length accounts for .125 in space between label ends.