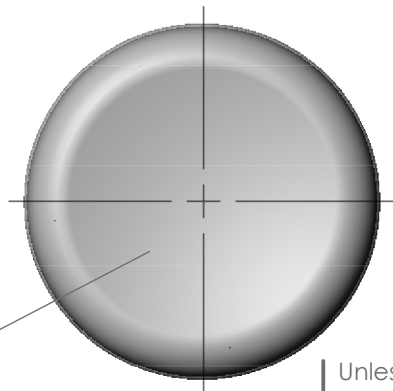
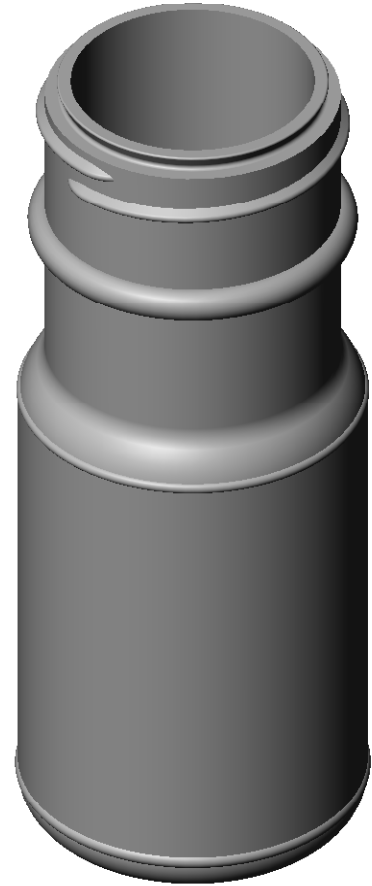
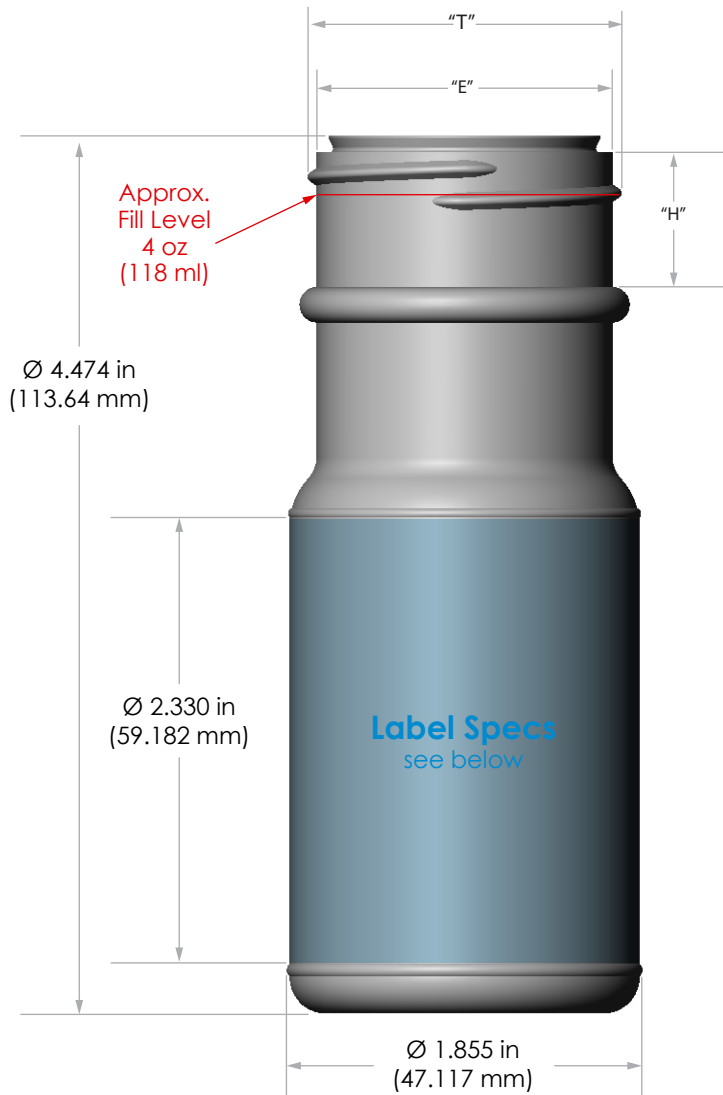


**Neck Details:**

T: 1.639 in (41.63 mm)  
 E: 1.545 in (39.243 mm)  
 H: .616 in (15.6464 mm)



Recycle logo, Aaron's logo & cav. No. engraved

Unless otherwise specified, all dimensions are in inches.

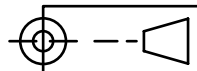
Tolerances :  
 angular  $\pm 3^\circ$   
 x.xx  $\pm 0.060$ "  
 x.xxx  $\pm 0.050$ "

Note: Sizes are preliminary and subject to development.

**Label Specs:**

5.781 in (146.837 mm) L x 2.205 in (56.007 mm) H x .08 in (2.03 mm) CR  
 Note: Length accounts for .125 in space between label ends.

Target Weight: 15 +/- 1 g



Revised:	
Revised:	
Revised:	
Revised: 4/11/24	logo, address, specs, weight

<b>4oz K-Resin Fluted Spice Bottle (43-485)</b>	
Material: K-Resin Plastic	
Neck: (43-485)	Fill Vol: 4 oz (118.294 ml)
Scale: 1 : 1	Overflow: 156 ml +/- 2 ml
 <b>Aaron Packaging</b> 4000 150th Avenue Court East Sumner, WA 98390 360-889-0152 www.aaronpackaging.com	
Drawn by: CML EW	Dwg. no. : 3315
Created: 10/6/11	Mold no. :