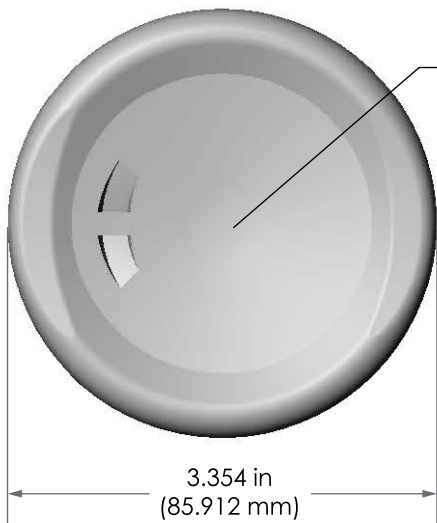
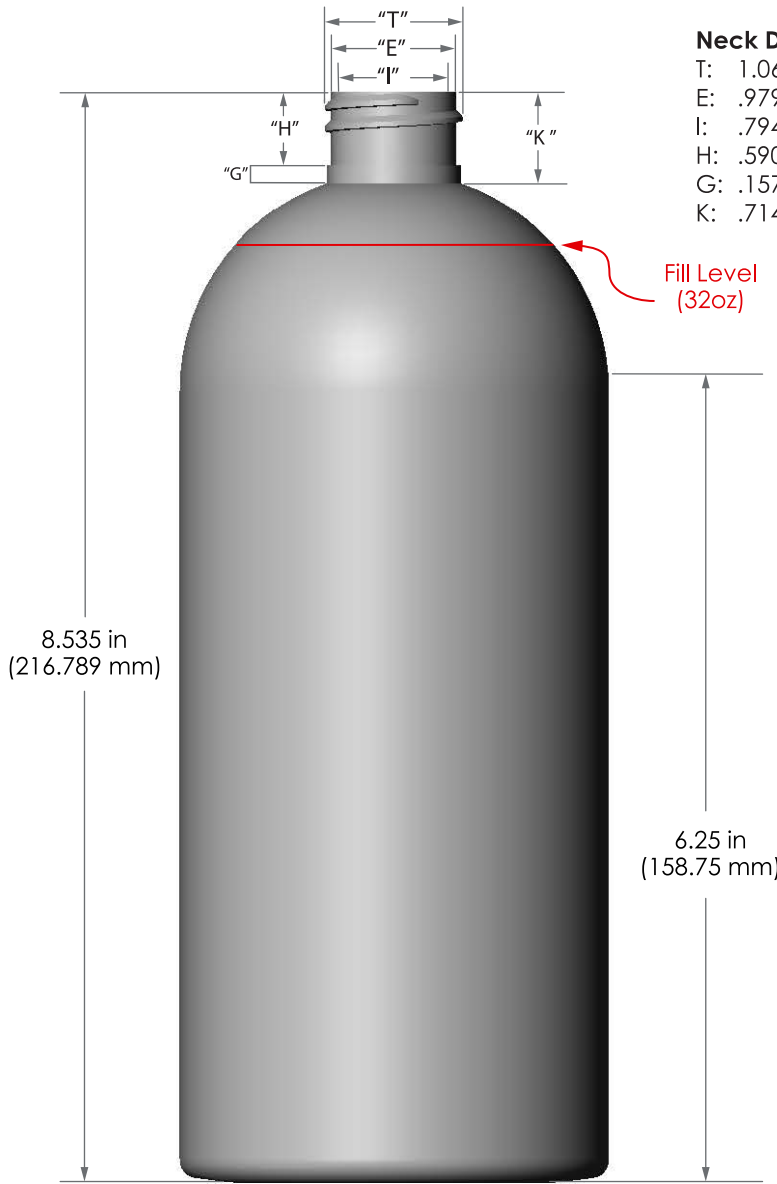


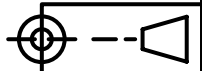
Neck Details:

- T: 1.06" (26.86 mm)
- E: .979" (24.88 mm)
- I: .794" (20.18 mm)
- H: .590" (14.986 mm)
- G: .157" (3.99 mm)
- K: .714" (18.136 mm)



Recycle logo, Aaron's logo & Cav. No. engraved

Target Weight: 56g



Revised: 1/5/2023	logo, label, weight
-------------------	---------------------

32 oz Bullet (28-410)	
Material: High Density Polyethylene (HDPE)	
Neck: (28-410)	Fill Vol: 946ml
Scale: 1 : 1.5	Overflow: 1009ml +/- 15ml



Aaron Packaging
 4000 150th Avenue Court East
 Sumner, WA 98390
 360-889-0152
 www.aaronpackaging.com

Drawn by: EW	Dwg. no. : 3428
Created: 9/2012	

NOTE: SIZES ARE PRELIMINARY AND SUBJECT TO DEVELOPMENT

Label Specs:

10.25 in (260.35 mm) L x 6 in (152.4 mm) H x .08 in (2.03 mm) CR
 Note: Length accounts for .125 in space between label ends.