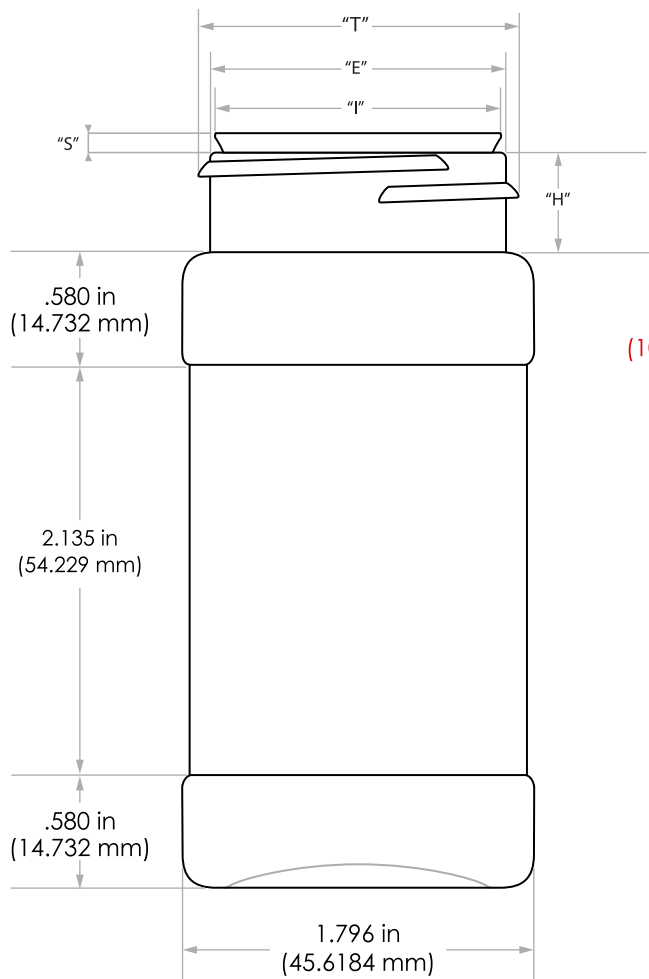
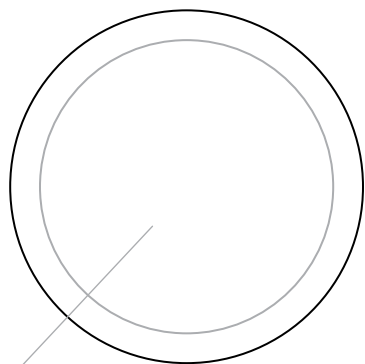
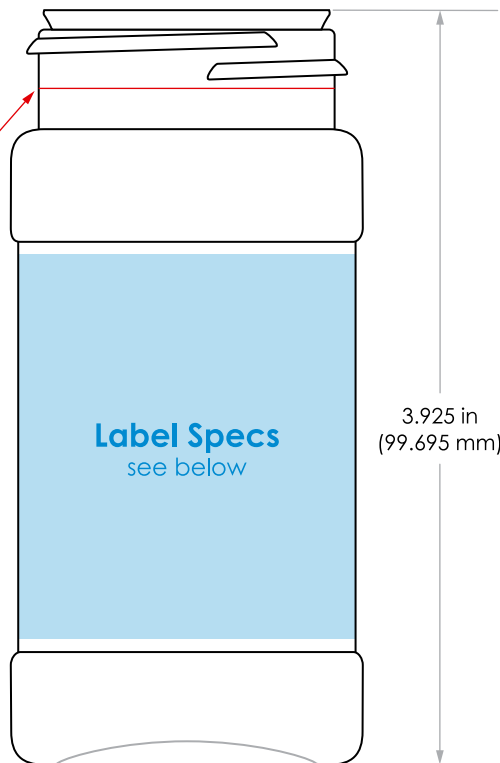


**Neck Details:**

- T: 1.956 in (49.682 mm)
- E: 1.54 in (39.116 mm)
- I: 1.460 in (37.084 mm)
- S: .103 in (2.6162 mm)
- H: .616 in (15.6464 mm)



Fill Level  
3.5 oz  
(103.507 ml)



Recycle logo (2), Aaron's logo & Cav. No. engraved

Unless otherwise specified, all dimensions are in inches.

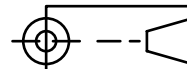
Tolerances :  
angular  $\pm 3^\circ$   
x.xx  $\pm 0.060$ "  
x.xxx  $\pm 0.050$ "

Note: Sizes are preliminary and subject to development.

**Label Specs:**

5.426 in (137.820 mm) L x 2 in (50.8 mm) H x .08 in (2.03 mm) CR  
Note: Length accounts for .125 in space between label ends.

Target Weight: 16.5 +/- 2 g



Revised:	
Revised:	
Revised:	
Revised: 12/21/23	logo, address, specs, weight

<b>3.5oz K-Resin Spice Bottle (43-485)</b>	
Material: K-Resin Plastic	
Neck: 43-485	Fill Vol: 3.5 oz (103.507 ml)
Scale: 1 : 1	Overflow: 133.081 ml +/- 2 ml
 <b>Aaron Packaging</b> 4000 150th Avenue Court East Sumner, WA 98390 360-889-0152 www.aaronpackaging.com	
Drawn by: DC	Dwg. no. : 2301
Created: 03/10/23	Mold no. :