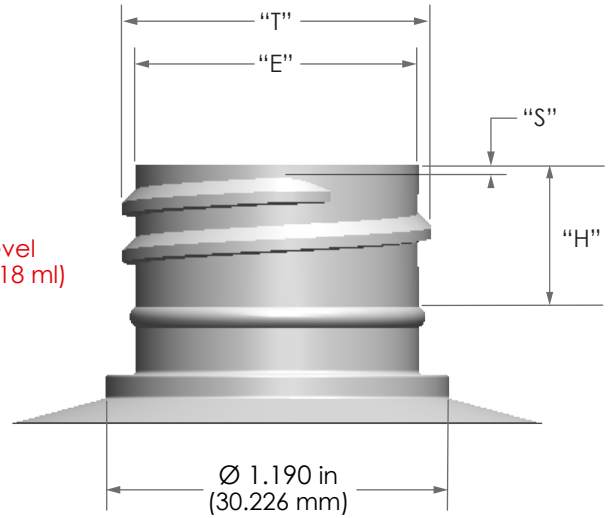


Label Specs
see below

Approx. Fill Level
16 fl. oz. (473.18 ml)

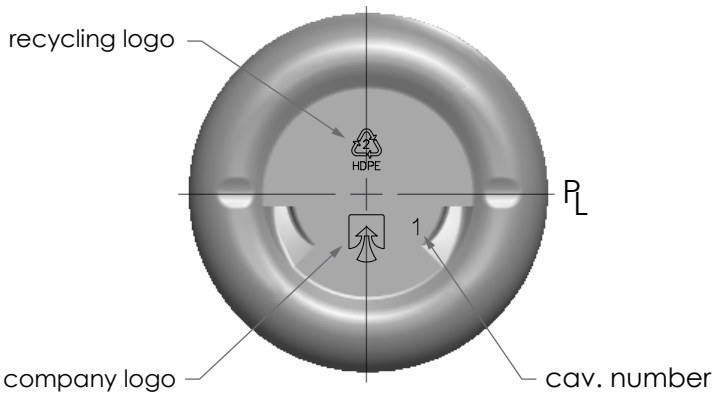


FINISH DETAIL
SCALE 1 : 1.496

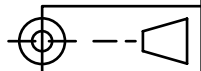
Neck Finish Details:

T:	Ø 1.078 +/- .010 in	(27.381 mm)
E:	Ø .984 +/- .010 in	(24.994 mm)
H:	.730 +/- .015 in	(18.542 mm)
S:	.046 +/- .015 in	(1.168 mm)

M28SP410, Modified "H"
"M" Style Thread
1-1/2 Turns of Thread
6 T.P.1./1.167 Pitch



Target Weight: 43 g



Revised:	
Revised:	
Revised:	
Revised: 4/2/24	logo, label specs

16 oz HDPE Cylinder (28-410)

Material: High-Density Polyethylene (HDPE)	
Neck: (28-410)	Fill Vol: 16 fl. oz. (473.18 ml)
Scale: 1 : 35	Overflow: 17.19 +/- .37 fl. oz.



Aaron Packaging
4000 150th Avenue Court East
Sumner, WA 98390
360-889-0152
www.aaronpackaging.com

Drawn by: MIKE SILLETT	Dwg. no. : 7686PD
Created: 1/10/2020	Mold no. :

Note: Sizes are preliminary and subject to development.

Label Specs:
7.854 in (199.492 mm) L x 6 in (152.4 mm) H x .08 in (2.03 mm) CR
Note: Length accounts for .125 in space between label ends.