

Decorative Glueboard Insect Control

Please read these instructions carefully and store in a safe place for future reference.

HYGENIE[™]

As part of the **Insect-O-Cutor[®]** brand of insect control products, **HyGenie[™]** is a compact and highly effective decorative insect control unit for use within front of house applications. **HyGenie[™]** utilises a highly effective **Synergetic[®]** dual wavelength UV tube and is designed for use with a high specification **glupac[®]** glueboard.

CONTENTS OF PACKAGE

- 1 x HyGenie flykiller
- 1 x Mains cable (Type X)
- 1 x **glupac[®]** pheromone impregnated glueboard
- 2 x Screws and wall plugs
- 1 x Compact 11W tube (fitted)

WARNING - THIS APPLIANCE MUST BE EARTHED (CLASS 1)

INSECT CONTROL PRODUCTS

HyGenie[™] utilises high powered dual wavelength ultra violet tube to attract flying insects and retains the caught insects on a pheromone impregnated glueboard for inspection or hygienic disposal.

WARNING

HyGenie[™] is not to be used by children or persons with reduced physical, sensory or mental capabilities, or lack of experience and knowledge, unless they have been given supervision or instruction.

Children should be supervised to ensure they do not play with the appliance.

If the mains cable is damaged it must be replaced by a specialist mains cable available from Pelsis Ltd or your supplier. Not suitable for applications where potentially explosive environments may exist.

POSITIONING AND GUIDANCE FOR USE

THIS UNIT IS FOR INDOOR USE ONLY. NOT SUITABLE FOR USE IN BARNS, STABLES & SIMILAR LOCATIONS.

HyGenie[™] should ideally be fixed around two meters above the ground, preferably in the darkest place within the area to be protected. Do not position the unit close to windows, skylights or other sources of light, or where it may be obscured by furniture, doors or other obstacles. Ideally, **HyGenie[™]** should be visible from every part of the area to be protected.

HyGenie[™] should ideally be in operation for 24 hours a day, ensuring your premises are kept free of flying insects. Insects are most attracted to **HyGenie[™]** at night when there is no competition from daylight or other light sources.

GUARANTEE

HyGenie[™] has a five year guarantee and if maintained as recommended in these instructions should continue to work for many years.* Use of non-approved consumables may invalidate the guarantee. Ensure genuine **glupac[®]** glueboards are used in conjunction with this product.

*Excludes tube and glueboard. Does not cover breakdown due to misuse, incorrect operation or use in an incorrect application.

INSTALLATION

INSTALLATION SHOULD BE CARRIED OUT BY SERVICE PERSONNEL ONLY. KEEP OUT OF REACH OF CHILDREN.

HyGenie[™] should be mounted as shown in the mounting options section of this document, using the supplied wall mounting plugs and screws, making sure correct wall plugs are used for specialist mounting materials, such as plasterboard. Once installed in position, fit the **glupac[®]** glueboard in position as described in the glueboard replacement section of this document. Use the removable mains lead and plug to connect the **HyGenie[™]** to an appropriate power supply.

CLEANING

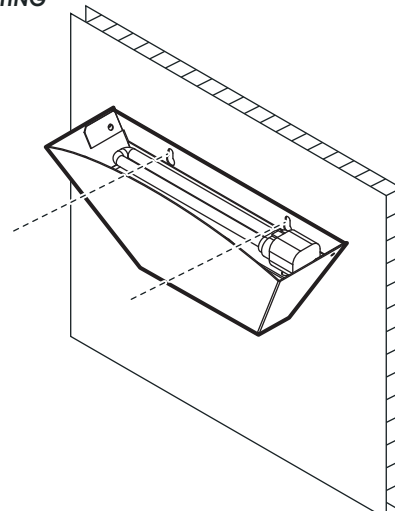
CLEANING SHOULD BE CARRIED OUT BY SERVICE PERSONNEL ONLY, AFTER ENSURING THAT THE UNIT IS DISCONNECTED FROM THE MAINS SUPPLY.

It is recommended that cleaning is carried out regularly when the glueboard is replaced. Once the glueboard is removed, the unit should be thoroughly wiped down with a damp cloth, removing any build up of dirt. Ensure the unit is completely dry before reconnecting it to the power supply.

MOUNTING FIXING CENTRES

METHOD	HyGenie
Wall	150mm

WALL MOUNTING



INSECT-O-CUTOR®

GLUEBOARD REPLACEMENT

GLUEBOARD REPLACEMENT SHOULD BE CARRIED OUT BY SERVICE PERSONNEL ONLY, AFTER ENSURING THAT THE UNIT IS DISCONNECTED FROM THE MAINS SUPPLY.

The glueboard should be replaced every month with a genuine glupac® glueboard. Use of non-approved glueboards may invalidate your guarantee.

To replace the glueboard...

1. Remove the used glupac® glueboard by simply sliding it out of the top of the front guard and either retain for insect evaluation or dispose of it hygienically.
2. Remove the protective release paper from the new glupac® glueboard.
3. Slowly slide the new glueboard into position with the adhesive side facing the tube.

Always ensure the selected genuine glupac® glueboards are compatible with your unit, available from your pest control operator or Pelsis Ltd.

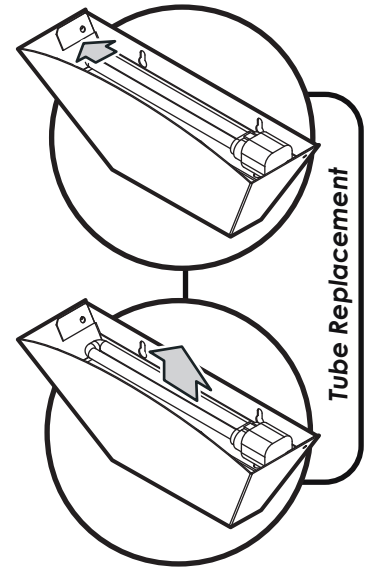
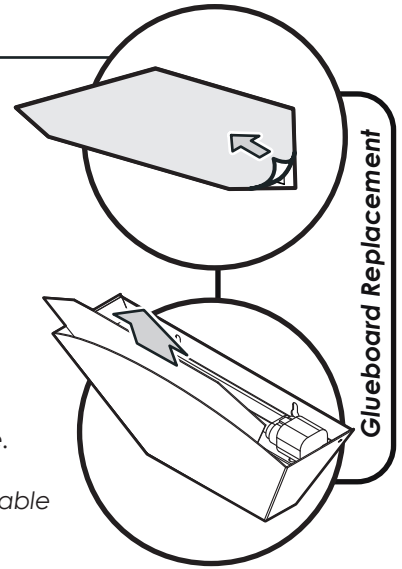
TUBE REPLACEMENT

TUBE REPLACEMENT SHOULD BE CARRIED OUT BY SERVICE PERSONNEL ONLY, AFTER ENSURING THAT THE UNIT IS DISCONNECTED FROM THE MAINS SUPPLY.

To ensure the efficiency of **HyGenie™** in catching flying insects, the UV tube should be replaced annually. After twelve months the phosphor coating that emits the correct wavelength of UV light has burnt away and the UV output is diminished substantially.

To replace the UV tube...

1. Pull the tube gently from the tube holder until it un-clips.
2. Pull the tube away from the chassis.
3. Dispose of the used UV tube in conjunction with local WEEE regulations.



SPECIFICATION / REPLACEMENT PARTS

Unit	HyGenie
Voltage	230V ~ 50Hz
Dimensions(mm)	300 X 150 X 100
Coverage	20 Sq. Metres
Weight	1.5 Kg
Light Output	11W
Tube	1 x TGX11
Starter	n/a
Glueboards	6170 (Black)