

INSTRUCTIONS FOR USE

Nebulizer for single patient use only



INCLUDES INSTRUCTIONS FOR THE PARI LC® SPRINT NEBULIZER

IMPORTANT: READ INSTRUCTIONS AND SAFETY PRECAUTIONS BEFORE USE

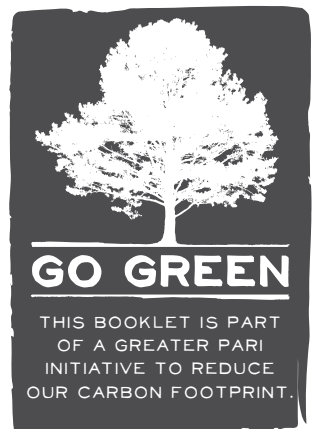


PORTABLE AEROSOL SYSTEM



Instructional Video Available Online

Scan this code with your smartphone or tablet to view the Trek® S Instructional Video, or simply visit www.PARI.com/instructional-videos online.



READ ALL WARNINGS AND INSTRUCTIONS BEFORE USE. USE THE PRODUCT ONLY FOR ITS INTENDED USE AS DESCRIBED IN THESE INSTRUCTIONS FOR USE. IMPROPER USE CAN RESULT IN SERIOUS OR FATAL ILLNESS/ INJURY, IMPROPER TREATMENT OR PROPERTY DAMAGE.

! REMEMBER
■ REPLACE YOUR REUSABLE NEBULIZER CUP EVERY SIX MONTHS



PORTABLE AEROSOL SYSTEM

Congratulations on your new PARI Trek® S Portable Aerosol System. Your doctor has prescribed the highest quality of delivery systems for your nebulizer medication(s) to treat your respiratory condition. Selected for use in more than 25 clinical trials for new respiratory medications, PARI LC® reusable nebulizers deliver consistent particle size and fast aerosol treatments for targeted delivery to the lungs.

Your compressor and nebulizer play an important role in treating your respiratory condition. Follow your physician's advice and prescribed treatment regimen closely to achieve the most effective therapeutic outcomes.

Read and understand the entire PARI Trek® S Instructions for Use before using. Take special note of all safety precautions marked CAUTION, WARNING, and DANGER.

*SAVE THESE INSTRUCTIONS
FOR FUTURE USE*

INDICATIONS FOR USE: LC® SPRINT

The LC® Sprint is a handheld nebulizer, designed to aerosolize medication approved for nebulization and prescribed by a physician. The LC® Sprint is intended for adult and pediatric patients consistent with the indications for the aerosol medication.

A. SAFETY PRECAUTIONS - LC® SPRINT

▲ CAUTION

US Federal Law restricts this device to sale by or on the order of a physician. Use only when prescribed by a physician and with the prescribed medication.

The LC® Sprint is a handheld nebulizer, designed to aerosolize medication approved for nebulization and prescribed by a physician. The LC® Sprint is intended for adult and pediatric patients consistent with the indications for the aerosol medication. Improper use can result in serious or fatal illness or injury. Nebulizer is not sterile.

▲ WARNING

Use only when prescribed by a physician and with the prescribed medication. In order to achieve the specified droplet characteristics the compressor or central air supply must provide 3.5 - 8 lpm at a minimum of 20psi.

▲ WARNING

1. To reduce the risk of increased bacterial growth, infection, illness, or injury from contamination: thoroughly clean and dry all parts of the nebulizer and thoroughly dry any moisture or condensation in the tubing at the end of every treatment following the enclosed instructions.
2. Cleaning the nebulizer after each treatment is not enough---you must regularly disinfect or sterilize the nebulizer between treatments to prevent serious or fatal illness caused by contamination of the nebulizer.
3. Never use a nebulizer with a clogged nozzle. If the nozzle is clogged, the aerosol mist will be reduced, altered or stopped, which will diminish or eliminate the effectiveness of the treatment. If clogging occurs, replace with the same model PARI Reusable Nebulizer.
4. Close supervision is necessary when this product is used by or near children and physically or mentally impaired. Never use when sleeping or drowsy.
5. This product contains small parts that may present a choking hazard to small children. The tubing also presents a strangulation hazard. ALWAYS USE CLOSE ADULT SUPERVISION WHEN ADMINISTERING A TREATMENT TO A CHILD. DO NOT LEAVE CHILD UNATTENDED DURING TREATMENT.
6. Patients under the age of 4 or any patients who have special needs should use a facemask instead of the valved mouthpiece.
7. Before use, check PARI Reusable Nebulizer for proper assembly. All parts should be seated firmly in place. Use of an improperly assembled nebulizer could diminish or prevent adequate delivery of medication and the effectiveness of the treatment.

INDICATIONS FOR USE: PARI TREK® S PORTABLE AEROSOL SYSTEM

The PARI Trek® S nebulizer compressor is a portable, DC powered air compressor intended to provide a source of compressed air for use with jet nebulizers. The Trek® S is intended for adult and pediatric patients. The device is nonsterile, prescription-use only, intended for use in hospital, clinic, or home environments.

B. SAFETY PRECAUTIONS - TREK® S PORTABLE AEROSOL SYSTEM

▲WARNING

Use only with nebulizers and tubing authorized by PARI for this device. Other nebulizers and tubing may result in improper treatment.

When using electrical and medical products, especially when children are present, basic safety precautions must be followed.

▲DANGER

To reduce the risk of serious or fatal injury from electrocution:

1. Do not place or store the product where it can fall or be knocked into bathtub, sink, water, or other liquid. Do not place or drop into water or other liquid. Do not use while bathing.
2. Do not reach for a product that has fallen into water or other liquid. Unplug immediately.

▲WARNING

To reduce the risk of serious or fatal injury from electrocution, fire or burns and to reduce the risk of damage and malfunction to the product:

1. Before use, check the serial number label on the bottom of the compressor, battery and on the Multi-Voltage AC Adapter to ensure that the voltage and current indicated on the unit correspond with the voltage and current available.
2. Never operate this product if it has a damaged cord or plug, if it is not working properly, if it has been dropped or damaged, or if it has been exposed to any liquids inside the case. Return the product to PARI for examination and repair.
3. Keep all electrical cords away from heated surfaces. Do not overload wall outlets or use extension cords.
4. Do not operate where oxygen is being administered in a closed environment such as an oxygen tent.
5. Never drop or insert any object into any openings.
6. Be sure the PARI TREK® S compressor and the Multi-Voltage AC Adapter are unplugged prior to cleaning.
7. Do not open or disassemble the PARI TREK® S Compressor. Refer all servicing to an authorized PARI Service Center.
8. Use only adapters that are authorized for the PARI TREK® S Compressor. Use of unapproved accessories can lead to improper treatment or damage to the compressor, adapters, or the battery.
9. Never spray liquids onto the compressor housing or battery. Fluid could cause damage to the electrical and compressor parts and could lead to a malfunction. In the event that fluids enter the unit, return the product to PARI for examination and repair.
10. Do not cover up or use the PARI Trek® S compressor inside the carry case. Covering the device may cause excessive heat buildup in the compressor housing.

▲WARNING

1. The compressor has auto-resettable thermal protection. If the compressor shuts down due to temperature, it will restart automatically when it cools off if the switch is not set to the off position. Ensure the switch is set to the off position if the compressor shuts off due to temperature.
2. Always unplug immediately after using.
3. Do not use the PARI TREK® S Compressor or the PARI Reusable Nebulizer while operating a vehicle.
4. Portable and mobile RF communication devices can disrupt electrical medical equipment. The electrical field generated when the compressor is running can interfere with screens and monitors (flickering). For this reason, the compressor must be placed far enough away from screens/monitors to prevent such interference. Technical electromagnetic compatibility data is available in table form upon request from PARI Respiratory Equipment Inc./Patient Connection 1.800.FAST.NEB (327.8632), press 2.

BATTERY SAFETY PRECAUTIONS

▲WARNING

1. Use only the PARI TREK® S Rechargeable Battery described in these Instructions For Use for operating your PARI TREK® S Compressor.
2. Do not immerse the PARI TREK® S Rechargeable Battery in water.
3. Do not touch the battery with wet or moist hands.
4. Do not expose battery to direct sunlight, humidity, extreme temperatures or chemicals.
5. Make sure battery poles do not come into contact with keys or other metal objects, causing a "short circuit".
6. Do not attempt to open the plastic case or to replace any components. Do not disassemble Rechargeable Battery. The Rechargeable Battery is a sealed unit and can not be repaired.
7. Do not incinerate (burn).

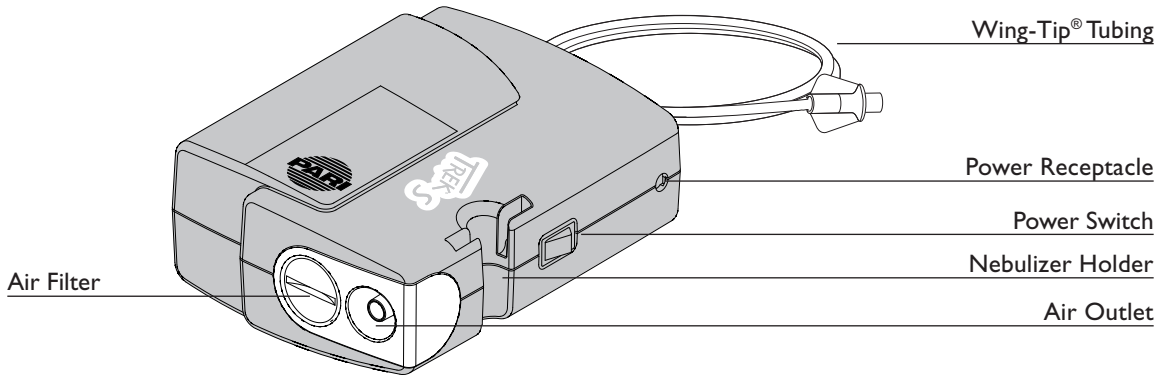
▲CAUTION

1. To charge the PARI TREK® S Rechargeable Battery use only the PARI TREK® S Multi-Voltage AC Adapter or optional 12V DC Adapter. Using other adapters may damage the battery.
2. In case of failure in charging or operating, unplug the Rechargeable Battery from the Multi-Voltage AC Adapter and turn the unit off. Should the Rechargeable Battery fail to charge or operate properly, even if the Instructions For Use are followed, notify the Authorized Service Center by calling PARI Patient Connection toll free (USA) at 1.800.FAST.NEB (327.8632), then press 2.
3. Protect the environment: when replacing the Rechargeable Battery, recycle old battery or dispose of properly in accordance with local laws.

C. GETTING STARTED

Check your Trek® S package to ensure you have the following items.

It is important to have a second PARI Reusable Nebulizer on hand at all times.



Nebulizer Replacement Sticker Sheet

PARI Nebulizer Replacement Reminder Sticker	REPLACE IN JANUARY	REPLACE IN JULY
	REPLACE IN FEBRUARY	REPLACE IN AUGUST
REPLACE IN MARCH	REPLACE IN SEPTEMBER	
REPLACE IN APRIL	REPLACE IN OCTOBER	
REPLACE IN MAY	REPLACE IN NOVEMBER	
REPLACE IN JUNE	REPLACE IN DECEMBER	

Nebulizer Outlet

Mouthpiece with Expiratory Valve

Carrying Case

PARI LC® Sprint Reusable Nebulizer (2 included)

Inspiratory Valve Cap

Nebulizer Top

Nebulizer Insert

Nebulizer Cup

Nebulizer Replacement Sticker Suggested Placement

Air Intake

Wing Tip® Tubing

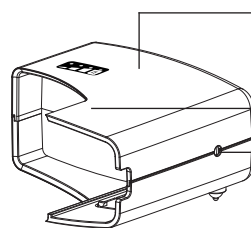
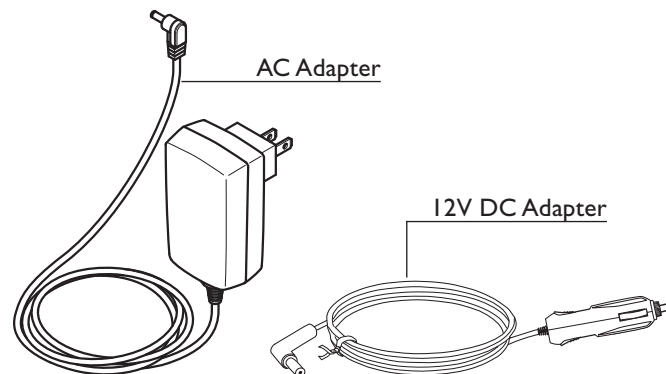
Optional Li-Ion Rechargeable Battery

Battery Contacts (not shown)

Charge Receptacle

AC Adapter

12V DC Adapter



D. TREK® S SETUP

COMPRESSOR SETUP

Make sure that power switch is turned “OFF” ○.

With AC Adapter

1. Plug the AC adapter into a polarized wall outlet. (Fig. A)
2. Plug the other end of the power cord into the power receptacle on the side of the compressor or optional rechargeable battery. (Fig. C)

With 12V DC Adapter

NOTE: DO NOT USE WHILE OPERATING A VEHICLE

1. Plug the 12V DC adapter into the vehicle outlet. (Fig. B)
2. Plug the other end of the adapter into the power receptacle on the side of the compressor or optional rechargeable battery. (Fig. C)

With Optional Rechargeable Battery

The PARI Trek® S Li-Ion rechargeable battery is available as an option to help maximize your freedom with portable treatments. Speak with your physician and homecare company about your daily schedule's needs and if a rechargeable battery is a good fit for you.

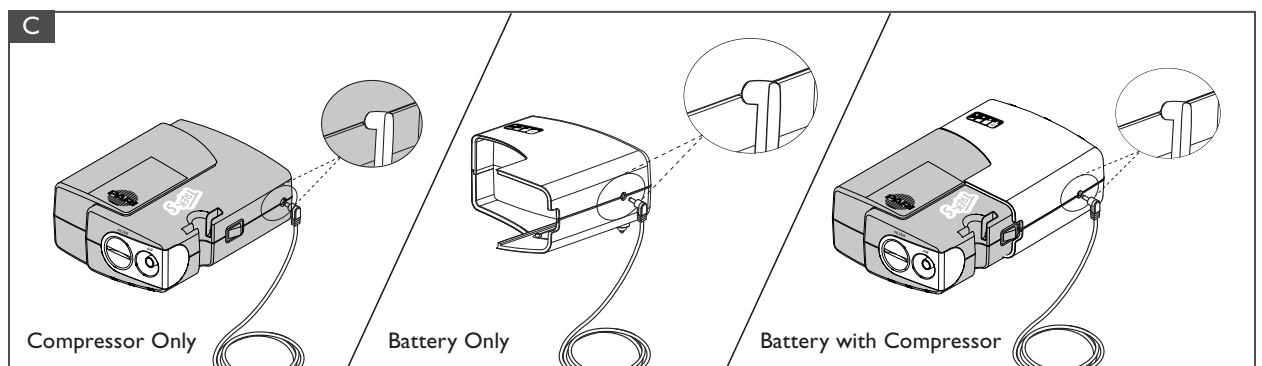
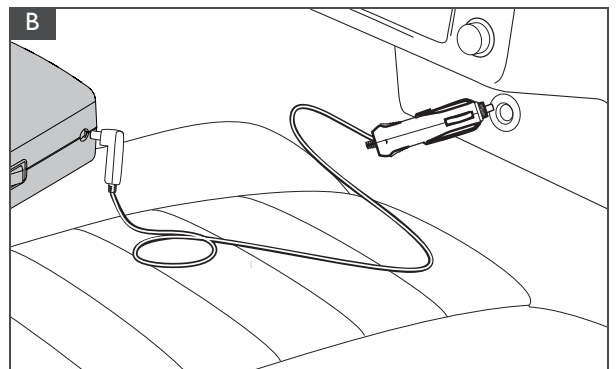
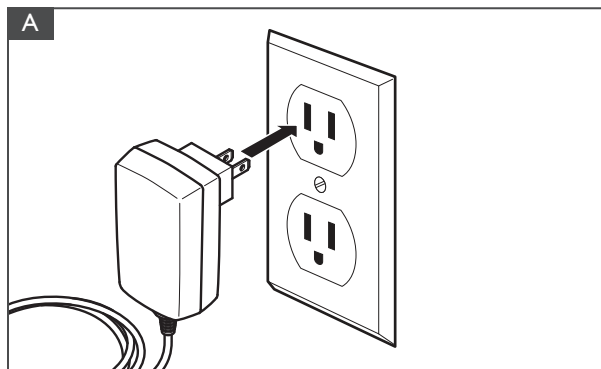
1. Completely charge the battery for the first time before use. Refer to the “Li-Ion Rechargeable Battery” section on page 5.

2. The rechargeable battery cannot be connected directly to the PARI Trek® S if either the AC adapter or 12V DC adapter are plugged into the power receptacle. (Fig. D)
3. Attach the rechargeable battery to the PARI Trek® S by placing the battery onto the rear section of the compressor and sliding it into place. Ensure battery is securely locked onto the compressor prior to operation. (Fig. D)
4. Use the indicator lights to determine status of the battery. Refer to “Li-Ion Rechargeable Battery” section on page 5.

When the battery is completely discharged all indicator lights will extinguish and the compressor will shut off.

NOTE: If battery fails to operate, connect the AC adapter into the wall outlet. Plug the other end of the AC adapter into the charge receptacle on the side of the rechargeable battery. The charge indicator should turn “ON” indicating that the battery has re-set and is now charging. If the charge indicator does not appear, or if all four indicators are blinking, the battery has failed and should not be used. Please contact PARI Patient Connection at 1.800.FAST.NEB (327.8632)

5. To remove the battery, push and hold the release button located on the underside of the battery. Slide the battery away from the compressor. (Fig. E)



D. TREK® S SETUP (CONTINUED)

LI-ION RECHARGEABLE BATTERY CHARGING

Refer to the below diagram.

1. Completely charge the battery before using for the first time for more than two hours or until all three battery level indicators are lit, and the charge indicator turns off.
2. To charge the battery, connect the AC adapter into a polarized wall outlet (Fig. A). Plug the other end of the AC adapter into the rechargeable battery charge receptacle (Fig. C). The charge indicator will turn "ON".
3. When the rechargeable battery is fully charged, the charge indicator will turn "OFF". Unplug the multi-voltage AC adapter from the rechargeable battery charge receptacle. The amount of time it takes to recharge the battery will depend on the age and charge level of the battery.

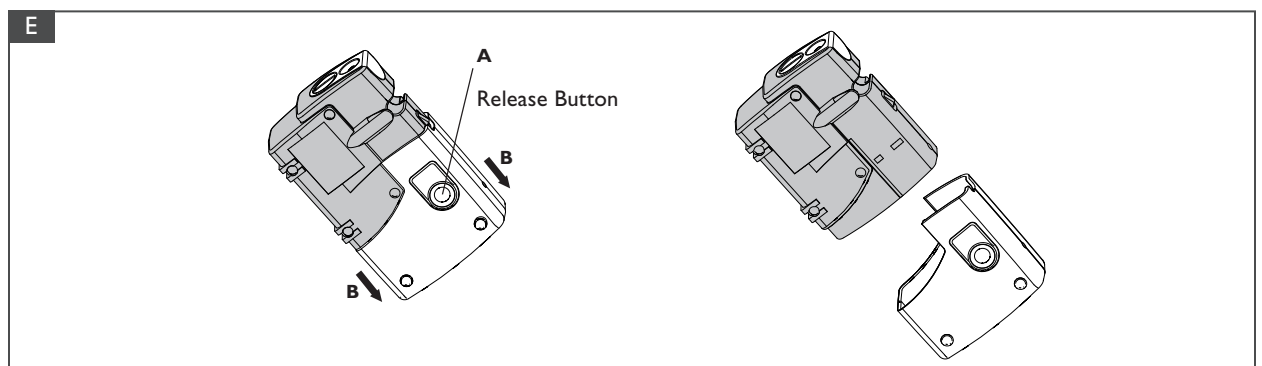
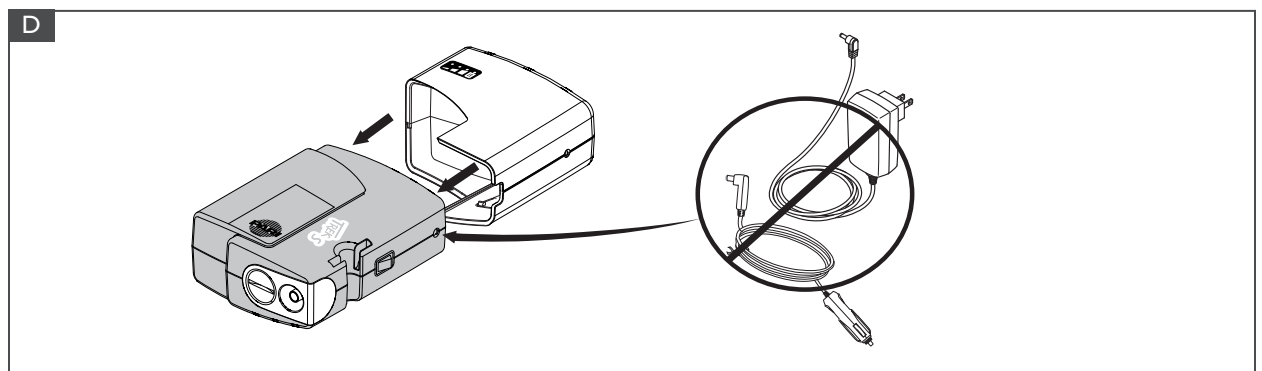
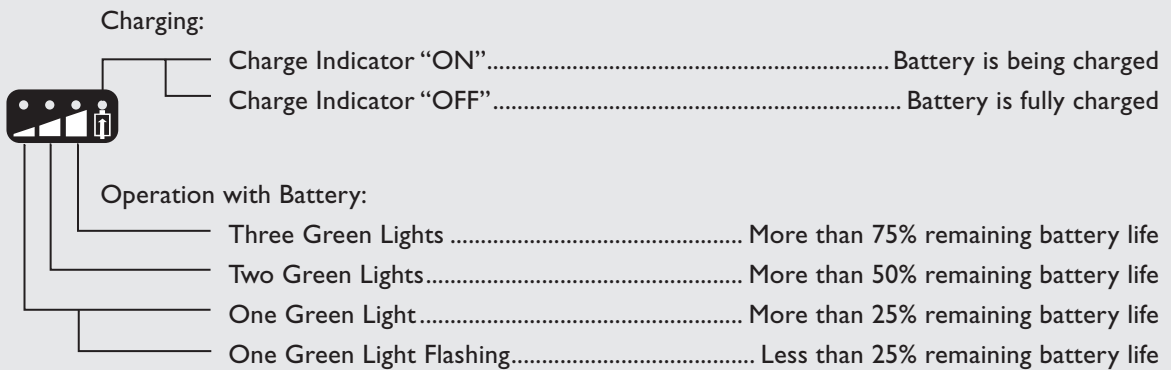
NOTE: Do not leave the multi-voltage AC Adapter plugged into the rechargeable battery for more than 7 days. Leaving the battery connected to the power adapter for long periods of time may decrease the life of the battery.

When not regularly using the battery, the battery should be fully charged every six months to optimize and preserve the life of the rechargeable battery.

NOTE: If the battery goes for a long period of time without charging, battery life will be decreased.

Storing

The battery should be stored fully charged in a cool dry place.



D. TREK® S SETUP (CONTINUED)

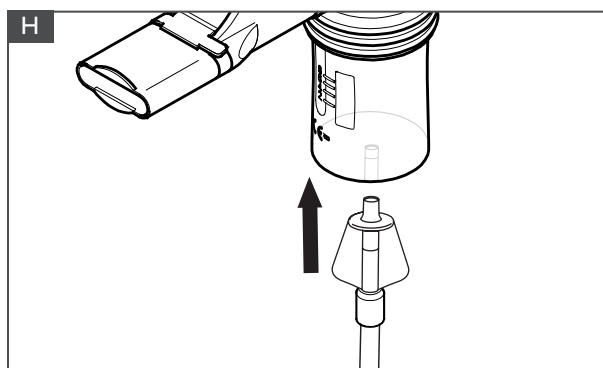
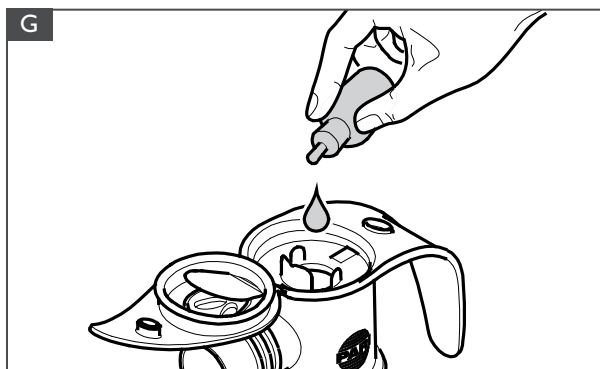
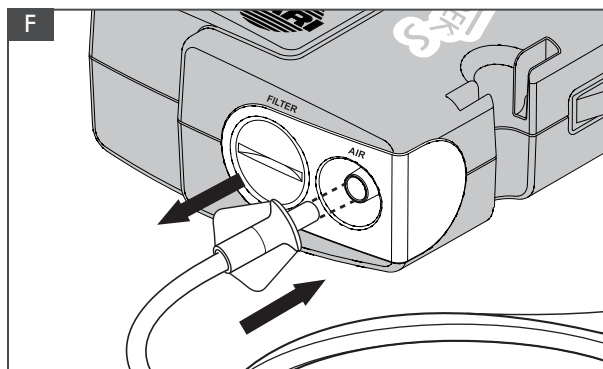
You are 10 Steps away from starting your treatment with Trek® S. Please follow step by step.

1. **Clean/Disinfect Nebulizer Cup:** Refer to Sections E-F to properly clean and/or disinfect your nebulizer prior to first use. Re-assemble nebulizer.
2. **Set-up Compressor:** Place the compressor on a flat, stable surface free of dust. Do not operate the compressor while it is in the carry case or covered, as this can cause excessive heat buildup in the compressor housing. Avoid cushioned, upholstered or carpeted surfaces. Make sure power switch is turned "OFF" ○.
3. **Connect Tubing To Compressor:** Insert one end of Wing Tip® tubing to the air outlet on the compressor. It should fit snugly (Fig. F).
4. **Load Medication:** Open the inspiratory valve cap of nebulizer by lifting the cap (Fig. G). Pour the prescribed dose of medication into nebulizer cup. Never fill past the max. fill line of 8 ml.
5. **Attach Mouthpiece or Mask:** If using the mouthpiece, attach the mouthpiece to the nebulizer outlet with the expiratory valve facing up. Then close the inspiratory valve cap by pressing firmly on the nebulizer top. If using a mask, refer to the mask instructions for use.
6. **Attach Tubing To Nebulizer Cup:** Firmly press the other end of the Wing Tip® tubing to bottom of PARI reusable nebulizer (Fig. H).
7. **Starting Treatment:** Sit in a relaxed, upright position and turn the compressor "ON" —.

8. **Nebulizer Position:** Place the mouthpiece on top of tongue and close lips around it. Take slow, deep breaths. As you inhale, the inhalation valve opens.
9. **Breathing:** For mouthpiece, inhale and exhale slowly through your mouth. As you exhale, the valve on the mouthpiece opens to allow the exhaled mist to escape. For mask, place mask over nose and mouth and inhale and exhale slowly.
10. **Complete Treatment:** Continue until the medication is gone or you hear a slight "sputtering" sound. Turn compressor "OFF" ○.

NOTE: The PARI TREK® S Compressor is protected by an automatic resettable thermal switch. If the PARI TREK® S Compressor has reached its temperature limit, it will automatically turn off to prevent damage to the compressor. In the unlikely event this occurs, switch off the PARI Trek® S Compressor, ensure it is on a flat, stable surface and is not covered, and allow the compressor to cool down. If the PARI Trek® S Compressor is not manually switched off, it will automatically restart when the compressor cools.

The PARI TREK® S Compressor may need approximately 30 minutes to cool down prior to resuming the treatment. If the PARI TREK® S Compressor does not start after it is switched on after cooling for 30 minutes, please switch it off, allow another few minutes for the compressor to cool, and try again. If you need to use the PARI Trek® S Compressor for longer than 30 minutes, please contact PARI at 1.800.FAST.NEB (327.8632).



E. CLEANING YOUR PARI REUSABLE NEBULIZER

1. Disconnect the tubing from the air intake on the bottom of the nebulizer cup.
2. If there is any moisture (condensation) in the tubing, let the compressor run with only the tubing attached for 2-3 minutes. The warm air from the compressor will dry out the tubing. Alternatively, you can dry the tubing by removing it from the compressor and hanging it up with the "ends down" to allow any moisture (condensation) to drain out and evaporate. Use a clean damp cloth to wipe the exterior of the tubing.
3. Disassemble reusable nebulizer parts as illustrated on page 3.
4. Wash all parts with warm water and liquid dish soap. **DO NOT WASH THE TUBING.**
5. Rinse the reusable nebulizer parts thoroughly with warm water and shake out water.
6. Air dry or hand dry nebulizer parts on a clean, lint-free cloth. Reassemble nebulizer when parts are dry and store.
7. You can also wash all parts of the reusable nebulizer on the top shelf of a dishwasher. **DO NOT WASH TUBING.** Place the reusable nebulizer parts in a dishwasher basket, then place the basket on the top rack of the dishwasher. Remove and dry the parts when the dishwasher cycle is complete.

⚠ WARNING

TO REDUCE RISK OF INFECTION:

1. Nebulizer for single patient use (one person) only. Do not share your nebulizer with other patients.
2. You must regularly disinfect or sterilize the nebulizer between treatments. Failure to do so could lead to serious or fatal illness.

! REMEMBER

REPLACE YOUR REUSABLE NEBULIZER CUP EVERY SIX MONTHS

It is very important to replace your PARI reusable nebulizer every 6 months for the most effective treatments.

Advantages of Replacing Your Nebulizer Cup:

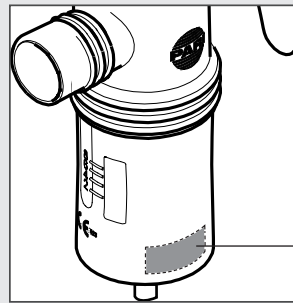
- Consistent medication delivery to the lungs
- Fast and efficient treatments
- Bacterial contamination can be reduced*

Included in this configuration is a reminder sticker. Place the sticker that corresponds to six months from date of first use to the smooth surface on the bottom of your nebulizer cup as indicated in this picture. Sticker is dishwasher safe.

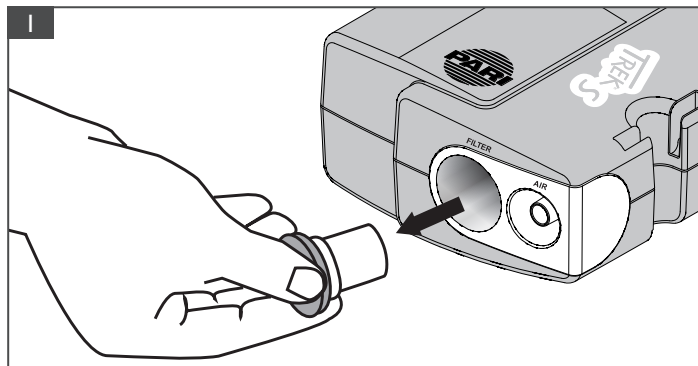
Allow two hours after label is applied before cleaning.

WARNING: The sticker may present a choking hazard to small children-adult supervision is required.

* Lester, Mary K. Nebulizer Use and Maintenance by Cystic Fibrosis Patients: A Survey Study, Respiratory Care 2004; 49(12): 1504-1508.



Nebulizer Replacement Sticker Suggested Placement



F. DISINFECTING YOUR PARI REUSABLE NEBULIZER

1. Clean the nebulizer as described in Section E. For low-level disinfection every other treatment day, soak all parts of the PARI Reusable Nebulizer (except tubing and mask) in a solution of 1 part distilled white vinegar and 3 parts hot tap water for 1 hour. You can substitute respiratory equipment disinfectant (like Control III®) for distilled white vinegar (follow manufacturer's instructions for mixing).
2. Rinse all parts of the PARI Reusable Nebulizer thoroughly with warm tap water and dry with a clean, lint-free cloth. Discard the vinegar solution when disinfection is complete.
3. The PARI Reusable Nebulizer parts (except tubing and mask) may also be disinfected by boiling them in a clean pot of water for a full 5 minutes.
4. Hospitals and clinics can sterilize the PARI Reusable Nebulizer parts (except mask and tubing) by autoclaving (a maximum of 277° F or 136° C), follow autoclave manufacturer's instructions.
5. Dry parts on a clean, lint-free cloth.

CONTROL III® is a registered trademark of Maril Products, Inc.

NOTE: FOR PATIENTS WITH CYSTIC FIBROSIS, THE CF FOUNDATION RECOMMENDS BOILING FOR A FULL 5 MINUTES TO DISINFECT.

G. MAINTENANCE OF YOUR TREK® S NEBULIZER SYSTEM

FILTER

Your Trek® S air filter is bright white when new. With use, the filter will slowly turn grey, indicating the need for replacement. The filter must be replaced immediately if it gets wet or becomes clogged. A good rule to follow is to replace your filter every 6 months – at the same time as your PARI reusable nebulizer.

Removing: First make sure the Trek® S power switch is turned off. Using a coin, remove the air filter cover by turning it counter-clockwise. Pull the cap and filter out, then remove the filter from the cap (Fig. I-J). Take a new filter and press into cap with the open end visible (Fig. J-K).

NOTE: There are two types of filters that fit the Trek® S compressor. If your filter is open only on one end as shown in Figure J, follow instructions as shown in Figure J and K. If your filter is open on both ends, press either end of the filter into the cap.

Place the cap and filter back into the front of your Trek® S. Use the coin to tighten by turning the cover clockwise.

NOTE: Do not attempt to wash and reuse Air Filters. Do not use substitute filter material; compressor damage may result.

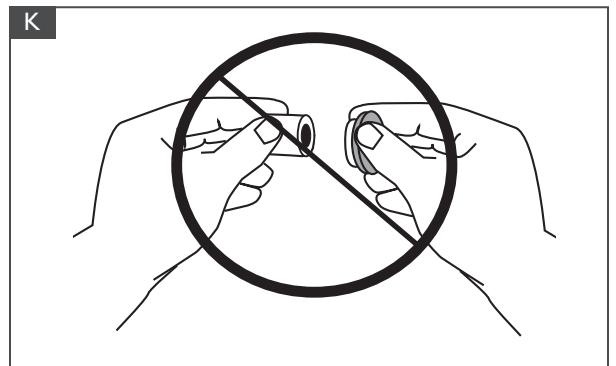
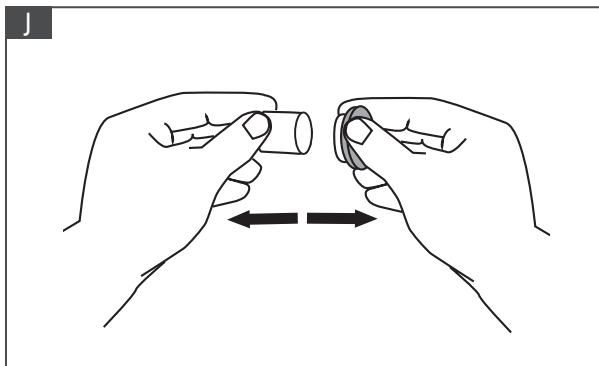
COMPRESSOR & RECHARGEABLE BATTERY

Use a clean, damp cloth to wipe the exterior of the compressor housing. Be careful not to get liquids onto the Power Receptacle or the battery contact since damage could occur.

MAINTENANCE & REPAIR

Never operate your PARI Trek® S if it is improperly or incompletely assembled or damaged. Use only original PARI parts and attachments authorized by PARI for the PARI Trek® S Portable Aerosol System. Use of other parts and attachments may damage the unit or cause improper treatment. Do not open or disassemble the compressor unit at any time.

NOTE: There are no serviceable parts inside the PARI Trek® S Portable Aerosol System. Service by anyone voids warranty.



H. SPECIFICATIONS

PARI TREK® S PORTABLE AEROSOL SYSTEM SPECIFICATIONS

Weight: (Compressor only).....	0.8 lb
With Rechargeable Battery:.....	1.2 lbs
Dimensions: (Compressor only).....	4.5" x 3.5" x 1.75"
Certification:	IEC/EN 60601-1 and IEC/EN 60601-1-2

COMPRESSOR PERFORMANCE:

Maximum Pressure of Compressor:.....	35 PSI (2.4 Bar)
Maximum Liter Flow of Compressor:.....	8.5 LPM
Operating Pressure of Compressor ¹ :.....	14.5 PSI (1.0 Bar)
Operating Liter Flow of Compressor ¹ :.....	4.0 LPM

¹Measured with PARI LC® Sprint or LC® Plus Reusable Nebulizer attached.

AMBIENT OPERATION:

Temperature Range:.....	50°F to 104°F
-------------------------	---------------

TRANSPORT/STORAGE:

Ambient Temperature:.....	13°F to 158°F
Humidity:.....	10% to 95%
Atmospheric Pressure:.....	500 hPa - 1060 hPa
Compressor Electrical Requirements:.....	Input 12VDC 1.67 A 18 watts

OPTIONAL RECHARGEABLE BATTERY:

Battery Type:.....	Lithium Ion (Li-Ion)
Operating time with battery:.....	Approximately 40 minutes
Number of treatments per charge ²	Approximately 8 treatments
Normal time to charge:.....	Approximately 2 hours

²Using a PARI Reusable Nebulizer to nebulize 2.5 ml of medication.

ELECTRICAL REQUIREMENTS:





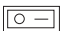
Input:	12VDC 1.67 A
Output:.....	12VDC 1.67 A

MULTI-VOLTAGE AC ADAPTER:

FUHUA Model # UE24WU-120167SPA or equivalent

Input Voltage:.....	100-240 VAC 50/60Hz 600mA
Output Voltage:.....	12V DC 1.67A

EXPLANATION OF SYMBOLS

Attention : Read all 'Instructions for Use' before operation:.....	
Insulation enclosed Class II equipment:.....	
Type "B" Protection from electrical shock:.....	
Do not dispose of in unsorted municipal trash. Please consult local laws and regulations for proper disposal:.....	
Power Switch:.....	
'ON' Position (compressor running):.....	—
'OFF' Position (compressor is not running):.....	○

NOTE: When switch is in the 'off' position and the compressor is not running, there will still be electrical potential inside the compressor housing. To remove power from the compressor, the power plug or battery must be removed.

I. WARRANTY & RETURN INFORMATION

PARI LC® SPRINT REUSABLE NEBULIZER LIMITED WARRANTY

PARI reusable nebulizers include a 6 month limited warranty for home care use. If you have any problems and need to return your PARI reusable nebulizer, contact PARI Patient Connection at 1.800.FAST.NEB (327.8632).

Please be sure to clean and disinfect your PARI reusable nebulizer and place it in a plastic bag before returning.

PARI TREK® S PORTABLE AEROSOL SYSTEM LIMITED WARRANTY

PARI offers a standard three (3) year warranty on the PARI TREK® S Compressor and six (6) months on accessories. The warranty period will be printed on the serial number label located on the bottom of the compressor. PARI warrants that the PARI TREK® S Compressor and its parts will be free from defects in workmanship and materials for a period of thirty-six (36) months from the date of first retail purchase of the compressor and six (6) months on the PARI Reusable Nebulizer and Li-Ion Rechargeable Battery. This warranty does not cover failures of the tubing or accessories. This warranty does not extend to failures resulting from accident, misuse, abuse, alteration, use of unauthorized service; parts or cleaning solutions, or failure to comply with Instructions For Use. If the warranted equipment should fail during the warranty period, PARI will replace the equipment or parts at issue, provided the claim is bona fide. It shall be the responsibility of the purchaser to pack and return the equipment in a manner to avoid shipping damage. The shipment must be prepaid to PARI Respiratory Equipment, Inc. This warranty covers the cost of replacement of the warranted items only. To make a claim under this warranty, contact PARI Patient Connection at: 1.800.FAST.NEB (327.8632), Press 2.

THERE ARE NO OTHER EXPRESS WARRANTIES. ALL IMPLIED WARRANTIES ON THE PARI TREK® S COMPRESSOR AND ITS PARTS, INCLUDING IMPLIED WARRANTIES OF MERCHANTABILITY AND FITNESS FOR A PARTICULAR PURPOSE, ARE LIMITED TO THIRTY-SIX (36) MONTHS FROM THE DATE OF FIRST RETAIL PURCHASE. ALL EXPRESS OR IMPLIED WARRANTIES ON ANY OTHER PARTS, INCLUDING THE IMPLIED WARRANTIES OF MERCHANTABILITY AND FITNESS FOR A PARTICULAR PURPOSE, ARE DISCLAIMED. Some states do not allow limitations on how long an implied warranty lasts, so the above limitation may not apply to you. The sole and exclusive remedy under this warranty is to replace the PARI TREK® S Compressor and/or its parts by PARI. IN NO EVENT SHALL PARI BE LIABLE FOR INCIDENTAL OR CONSEQUENTIAL DAMAGES TO THE PURCHASER OR ANY THIRD PARTY, INCLUDING WITHOUT LIMITATION, DAMAGES ARISING FROM LOST PROFITS, LOSS OF BUSINESS OPPORTUNITY, LOSS OF PROPERTY, ECONOMIC LOSSES, OR STATUTORY OR EXEMPLARY DAMAGES, WHETHER IN NEGLIGENCE, WARRANTY, STRICT LIABILITY OR OTHERWISE. Some states do not allow the exclusion or limitation of incidental or consequential damages, so the above limitations or exclusions may not apply to you. This warranty gives you specific rights. You may also have other rights which vary from State to State.

RETURN PROCEDURE

1. Contact PARI Patient Connection at 1.800.FAST.NEB (327.8632), Press 2 for an authorized service center.
2. In writing, describe the malfunction or symptoms of the PARI Trek® S. Include your full name, address and daytime telephone number.
3. Send written description and PARI Trek® S (please clean as described in Section 4) in a protective box to the address provided by Patient Connection.



Online at pari.com/register



Call 1.800.FAST.NEB (327.8632)



Fill out the pre-addressed, postage paid registration card and drop it in any USPS Mailbox.

Failure to register your PARI Trek® S does not affect your standard product limited warranty.

If you have any problems and need to return your PARI Trek® S, contact PARI Patient Connection at 1.800.FAST.NEB (327.8632).

Manufactured for:

PARI Respiratory Equipment, Inc.

2412 PARI Way, Midlothian, VA 23112 USA

Tel: 800.FAST.NEB (327.8632) and 804.253.7274

Fax: 800.727.4112 | Product.Info@PARI.com

Online at: www.PARI.com



© 2018 PARI Respiratory Equipment, Inc.
047D0206 Rev B 04/18

INSTRUCCIONES DE USO

El nebulizador es para uso individual solamente



ESTAS INSTRUCCIONES SE APLICAN A LA NEBULIZADOR PARI LC® SPRINT

IMPORTANTE: LEA LAS INSTRUCCIONES Y PRECAUCIONES DE SEGURIDAD ANTES DE USAR EL DISPOSITIVO.



PORTABLE AEROSOL SYSTEM



Video instructivo disponible en línea

Escanee este código con su teléfono inteligente o tablet para ver el video instructivo de Trek® S o simplemente visite la dirección www.PARI.com/instructional-videos



LEA TODAS LAS ADVERTENCIAS E INSTRUCCIONES ANTES DE UTILIZAR EL EQUIPO. USE EL PRODUCTO SÓLO PARA EL PROPÓSITO PARA EL QUE FUE DISEÑADO QUE SE DESCRIBE EN ESTAS INSTRUCCIONES DE USO. UN USO INCORRECTO PUEDE PROVOCAR TRASTORNOS/LESIONES GRAVES O MORTALES, TRATAMIENTO INADECUADO O DAÑO A LA PROPIEDAD.

! RECUERDE
■ REEMPLACE LA TAZA DEL NEBULIZADOR REUTILIZABLE CADA SEIS MESES



PORTABLE AEROSOL SYSTEM

Felicidades por adquirir su nuevo Sistema de Administración por Aerosol PARI Trek® S. Su médico le ha recetado la calidad más alta en sistemas de administración para sus medicamentos de nebulizador a fin de tratar su dolencia respiratoria. Los nebulizadores reutilizables PARI LC®, seleccionados para uso en más de 25 pruebas clínicas de medicamentos respiratorios nuevos, ofrece un tamaño de partícula consistente y tratamientos de administración por aerosol rápidos para administración dirigida a los pulmones.

Su compresor y nebulizador juegan un papel importante en el tratamiento de su dolencia respiratoria. Siga estrictamente el consejo de su médico y el régimen de tratamiento recetado para obtener los resultados terapéuticos más eficaces.

Lea y comprenda las Instrucciones de uso del Nebulizador PARI Trek® S antes de usarlo. Preste especial atención a todas las precauciones de seguridad marcadas como PRECAUCIÓN y ADVERTENCIA.

GUARDE ESTAS INSTRUCCIONES
PARA REFERENCIA FUTURA

INSTRUCCIONES DE USO: LC® SPRINT

El LC® Sprint es un nebulizador de mano, diseñado para suministrar medicamento por aerosol aprobado para nebulización y recetado por un médico. El LC® Sprint está destinado para uso en pacientes adultos y pediátricos, de manera consistente con las indicaciones para el medicamento de administración por aerosol.

A. PRECAUCIONES DE SEGURIDAD - LC® SPRINT

▲ PRECAUCIÓN

La legislación federal de Estados Unidos restringe la venta de este dispositivo; su adquisición sólo puede realizarse mediante receta médica. Utilícelo únicamente por indicación médica y con el medicamento recetado.

El LC® Sprint es un nebulizador de mano, diseñado para suministrar medicamento por aerosol aprobado para nebulización y recetado por un médico. El LC® Sprint está destinado para uso en pacientes adultos y pediátricos, de manera consistente con las indicaciones para el medicamento de administración por aerosol. El uso indebido de este producto puede ocasionar enfermedades fatales o lesiones graves. El nebulizador no está esterilizado.

▲ ADVERTENCIA

Utilícelo únicamente por indicación médica y con el medicamento recetado. A fin de lograr las características de gota especificadas, el compresor o suministro de aire central deben proporcionar 3,5 - 8 lpm a un mínimo de 20 psi.

▲ ADVERTENCIA

1. Para reducir el riesgo de mayor crecimiento bacteriano, infección, enfermedad o lesiones producidas por contaminación: limpie y seque cuidadosamente todas las piezas del nebulizador y elimine con cuidado cualquier rastro de humedad o condensación en la entubación después de cada tratamiento de acuerdo con las instrucciones de abajo.
2. La limpieza del nebulizador posterior a cada tratamiento no es suficiente; debe desinfectar o esterilizar regularmente el nebulizador entre tratamientos para evitar enfermedades graves o fatales causadas por la contaminación del mismo.
3. Nunca use un nebulizador con una boquilla obstruida. Si la boquilla está obstruida, el vapor o aerosol disminuirá, se alterará o dejará de salir, lo que mermará o eliminará la eficacia del tratamiento. Si se produce una obstrucción, reemplace por el Nebulizador reutilizable PARI del mismo modelo.
4. Es necesario supervisar atentamente el uso de este producto especialmente cuando hay niños y personas con alguna discapacidad física o mental cerca. Nunca lo use mientras duerme o está somnoliento.
5. El producto contiene piezas pequeñas que pueden presentar un riesgo de asfixia para niños pequeños. La entubación además presenta un riesgo de estrangulación. SIEMPRE CUENTE CON LA SUPERVISIÓN DE UN ADULTO CUANDO ADMINISTRE EL TRATAMIENTO A UN NIÑO. NO DEJE SOLO AL NIÑO DURANTE EL TRATAMIENTO.
6. Los pacientes menores de cuatro años o cualquier paciente con necesidades especiales deben usar una mascarilla en lugar de la boquilla con válvula.
7. Antes de usarlo, verifique que el nebulizador reutilizable PARI esté armado correctamente. Todas las piezas deben estar perfectamente ajustadas en su lugar. El uso de un nebulizador armado en forma incorrecta puede mermar o impedir el suministro adecuado de medicamento y la eficacia del tratamiento.

INSTRUCCIONES DE USO: PARI TREK® S PORTABLE AEROSOL SYSTEM

El compresor nebulizador Trek® S es un compresor de aire portátil de potencia CC cuyo propósito es suministrar una fuente de aire comprimido para usar con nebulizadores tipo jet. El Trek® S está diseñado para suministrar tratamiento a pacientes adultos y pediátricos. El dispositivo no está esterilizado, es de uso sólo con receta, está destinado para uso en hospitales, clínicas o entornos domiciliarios.

B. PRECAUCIONES DE SEGURIDAD - TREK® S PORTABLE AEROSOL SYSTEM

⚠ ADVERTENCIA

La legislación federal de Estados Unidos restringe la venta de este dispositivo; su adquisición sólo puede realizarse mediante receta médica. Utilícelo únicamente por indicación médica y con el medicamento recetado. Lea todas las advertencias e instrucciones antes de utilizar el equipo. Use el producto sólo para el propósito para el que fue diseñado que se describe en estas Instrucciones de uso. Un uso incorrecto puede provocar trastornos/lesiones graves o mortales, tratamiento inadecuado o daño a la propiedad.

⚠ PELIGRO

A fin de reducir el riesgo de lesiones graves o fatales por electrocución:

1. No coloque ni guarde el producto en un lugar del que pueda caerse a una bañera, lavabo, agua u otro líquido. No lo coloque ni lo deje caer en agua u otro líquido. No lo use mientras se baña.
2. No intente tomar un producto que ha caído al agua u otro líquido. Desenchúfelo de inmediato.

⚠ ADVERTENCIA

A fin de reducir el riesgo de lesiones graves o fatales por electrocución, incendio, quemaduras y para reducir el riesgo de daños o funcionamiento incorrecto de la unidad:

1. Antes de usarlo, verifique la etiqueta con el número de serie en la parte inferior del compresor, la batería y el adaptador CA de voltaje múltiple para asegurarse de que el voltaje y la corriente indicados en la unidad coinciden con el voltaje y la corriente disponibles.
2. Nunca use el producto si tiene el cable o enchufe dañados, no funciona adecuadamente, se cayó o resultó dañado, ha estado expuesto a cualquier líquido dentro del estuche. Devuelva el producto averiado a un Centro de Servicio PARI autorizado para que lo examinen, reparen o reemplacen.
3. Mantenga todos los cables eléctricos lejos de superficies calientes. No sobrecargue los tomacorrientes de pared ni use cables de extensión.
4. No lo use en lugares donde se administra oxígeno en un entorno cerrado, como una tienda de oxígeno.
5. Nunca deje caer ni inserte ningún objeto en ninguna de las aberturas.
6. Asegúrese de que el Compresor PARI TREK® S y el adaptador CA de voltaje múltiple estén desenchufados antes de limpiarlos.
7. No abra ni desarme el Compresor PARI TREK® S. Derive cualquier tarea de mantenimiento a PARI.
8. Use sólo adaptadores autorizados para el Compresor PARI TREK® S. El uso de accesorios no aprobados puede ocasionar un tratamiento inadecuado o daños en el compresor, los adaptadores o la batería.
9. Nunca rocíe líquidos en la carcasa ni la batería del compresor. El líquido puede causar daños en las piezas eléctricas y del compresor y un funcionamiento incorrecto. En caso de que entre líquido a la unidad, devuelva el producto a PARI para que lo revisen y reparen.

10. No cubra ni utilice el compresor PARI Trek® S dentro del estuche de transporte. Si cubre el dispositivo puede provocar una acumulación excesiva de calor en la carcasa del compresor.
11. El compresor tiene una protección térmica autoreinicial. Si el compresor se apaga debido a la temperatura, se reiniciará automáticamente cuando se enfríe si el interruptor no está en la posición apagada. Asegúrese de que el interruptor esté en la posición apagada si el compresor se apaga debido a la temperatura.
12. Siempre desenchúfelo de inmediato después de usarlo.
13. No use el Compresor PARI TREK® S ni el Nebulizador reutilizable PARI mientras conduzca un vehículo.
14. Los dispositivos de comunicación de radiofrecuencia portátiles y móviles pueden interferir con equipos médicos electrónicos. El campo eléctrico que se genera cuando el compresor está funcionando puede interferir con pantallas y monitores (parpadeo). Por este motivo, debe colocar el compresor a una distancia suficiente de pantallas/monitores a fin de evitar dicha interferencia. La información técnica de compatibilidad electromagnética está disponible en una tabla a solicitud en PARI Respiratory Equipment Inc./Patient Connection 1.800.FAST.NEB (327.8632), presione 2.

PRECAUCIONES DE SEGURIDAD DE LA BATERÍA

⚠ ADVERTENCIA

1. Use sólo la batería recargable PARI TREK® S descrita en estas Instrucciones de uso para operar su Compresor PARI TREK® S.
2. No sumerja la batería recargable PARI TREK® S en agua.
3. No toque la batería con las manos mojadas ni húmedas.
4. No exponga la batería a la luz directa del sol, a la humedad, a temperaturas extremas ni a sustancias químicas.
5. Asegúrese de que los polos de la batería no entren en contacto con llaves u otros objetos de metal, lo que puede causar un cortocircuito.
6. No trate de abrir la carcasa plástica ni reemplazar ninguno de sus componentes. No desarme la batería recargable. La batería recargable es una unidad sellada y no se puede reparar.
7. No la incinere (queme).

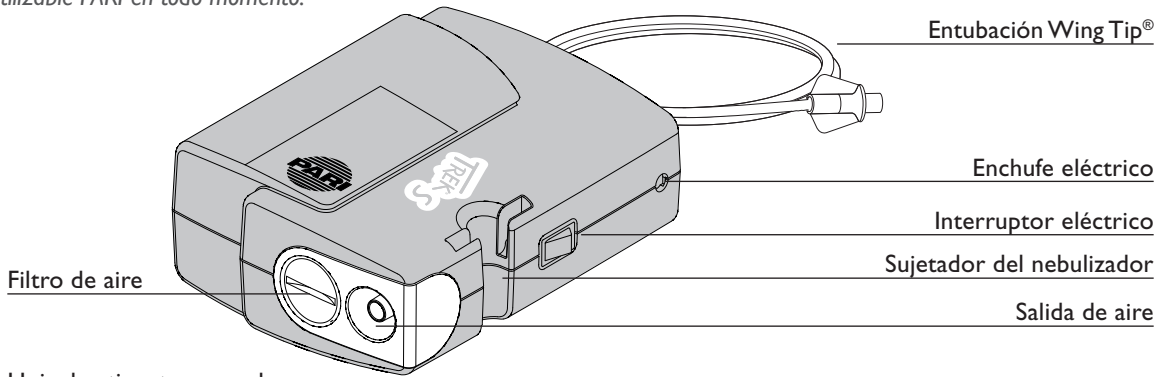
⚠ PRECAUCIÓN

1. Para cargar la batería recargable PARI TREK® S, use sólo el adaptador CA de voltaje múltiple o el adaptador de 12VCC opcional PARI TREK® S. El uso de otros adaptadores puede dañar la batería.
2. En caso de falla durante la carga o el funcionamiento, desenchufe la batería recargable del adaptador CA de voltaje múltiple y apague la unidad. Si la batería recargable no se cargara o no funcionara correctamente, aun cuando se siguieron las instrucciones de uso, notifique al Centro de Servicio autorizado al llamar en forma gratuita a PARI Patient Connection (Estados Unidos) al 1.800.FAST.NEB (327.8632), y luego presione 2.
3. Proteja el medio ambiente: cuando reemplace una batería recargable, recicle la batería antigua o elimínela como corresponde de acuerdo con las leyes locales.

C. INTRODUCCIÓN

Revise el paquete de su Trek® S para asegurarse de que todos los elementos estén incluidos.

Es importante contar con un segundo Nebulizador reutilizable PARI en todo momento.



Hoja de etiquetas para el reemplazo para el Nebulizador

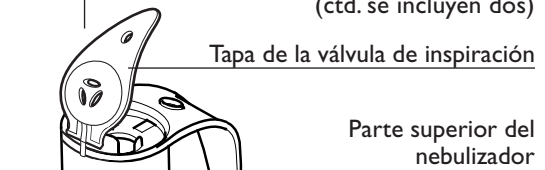
PARI Nebulizer Replacement Reminder Sticker	
REPLACE IN JANUARY	REPLACE IN JULY
REPLACE IN FEBRUARY	REPLACE IN AUGUST
REPLACE IN MARCH	REPLACE IN SEPTEMBER
REPLACE IN APRIL	REPLACE IN OCTOBER
REPLACE IN MAY	REPLACE IN NOVEMBER
REPLACE IN JUNE	REPLACE IN DECEMBER

Nebulizadores reutilizables PARI LC® Sprint (ctd. se incluyen dos)

Salida del nebulizador

Boquilla con válvula de espiración

Estuche de transporte



Inserto del nebulizador

Taza del nebulizador

Etiqueta de reemplazo del Nebulizador, colocación sugerida

Entrada de aire

Entubación Wing Tip®

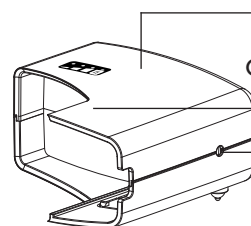
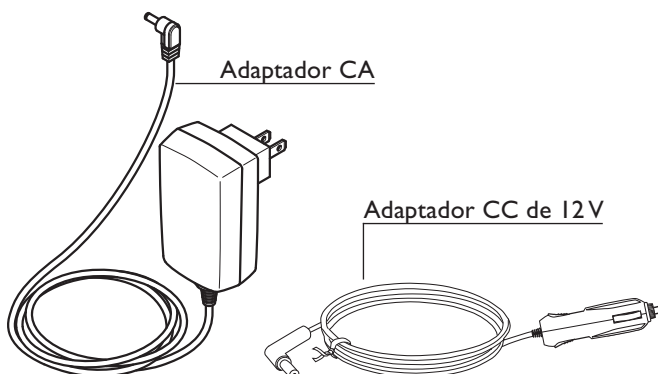
Batería recargable de ión litio opcional

Adaptador CA

Adaptador CC de 12V

Contactos de la batería (no mostrados)

Enchufe de carga



D. INSTALACIÓN DEL TREK® S

INSTALACIÓN DEL COMPRESOR

Asegúrese de que el interruptor esté en "OFF" ○.

Con Adaptador CA

1. Enchufe el adaptador CA a un tomacorriente de pared polarizado. (Fig.A)
2. Enchufe el otro extremo del cable de alimentación al enchufe eléctrico en el costado del compresor o a la batería recargable opcional. (Fig.C)

Con Adaptador DE 12 VCC

NOTA: NO LO USE MIENTRAS CONDUCE UN VEHÍCULO

1. Enchufe el adaptador de 12VCC al tomacorriente del vehículo. (Fig.B)
2. Enchufe el otro extremo del adaptador al enchufe eléctrico en el costado del compresor o a la batería recargable opcional. (Fig.C)

Con batería recargable opcional

La batería recargable de ión litio del PARI Trek® S está disponible como una opción para ayudarle a optimizar su libertad con tratamientos portátiles. Converse con su médico y empresa de asistencia domiciliar sobre sus necesidades diarias y la conveniencia de contar con una batería recargable.

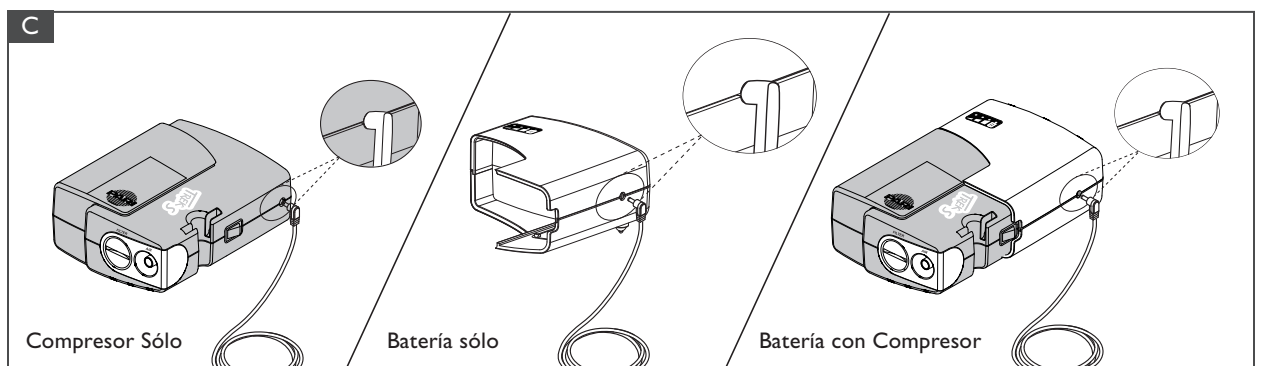
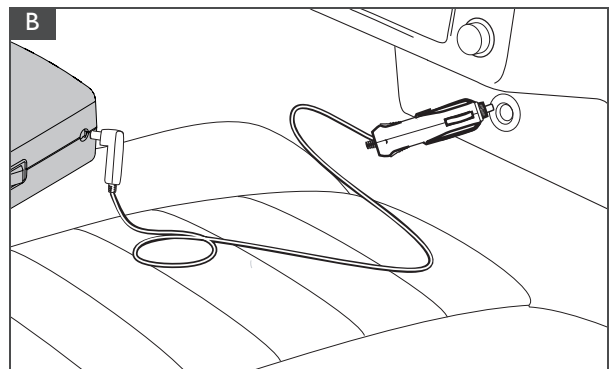
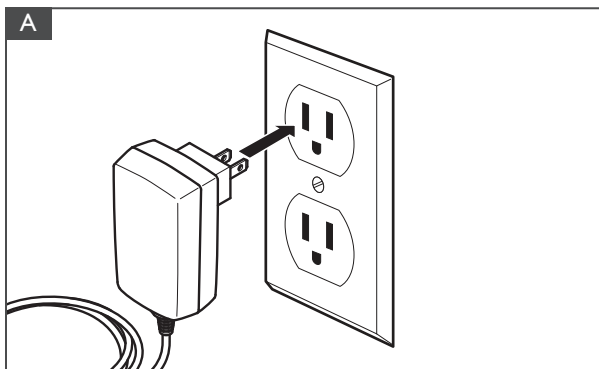
1. Cargue totalmente la batería por primera vez antes de usarla. Consulte la sección "Batería recargable de ión litio" en la página 5.

2. La batería recargable no se puede conectar directamente al PARI Trek® S si el adaptador CA o el adaptador de 12 VCC están conectados al enchufe eléctrico (Fig D).
3. Conecte la batería recargable al PARI Trek® S al colocar la batería en la sección trasera del compresor y deslizarla hasta su lugar. Asegúrese de que la batería esté ajustada firmemente en el compresor antes del funcionamiento. (Fig.D)
4. Use las luces indicadoras para determinar el estado de la batería. Consulte la sección "Batería recargable de ión litio" en la página 5.

Cuando la batería esté totalmente descargada, todas las luces indicadoras se apagarán y el compresor se apagará también.

NOTA: Si la batería no funciona, conecte el adaptador CA a un tomacorriente de pared. Enchufe el otro extremo del adaptador CA al enchufe de carga en el costado de la batería recargable. El indicador de carga debe ponerse en "ON", lo que indica que la batería se ha reiniciado y ahora se está cargando. Si el indicador de carga no aparece o si los cuatro indicadores están parpadeando, la batería no funciona y no la debe usar. Comuníquese con PARI Patient Connection al 1.800.FAST.NEB (327.8632).

5. Para extraer la batería, mantenga presionado el botón de liberación ubicado en el costado inferior de la batería. Deslícela fuera del compresor (Fig. E).



D. INSTALACIÓN DEL TREK® S (CONTINUADO)

BATERÍA RECARGABLE DE IÓN LITIO

Carga

Refiérase al abajo de esquema.

1. Cargue totalmente la batería antes de usarla por primera vez durante más de dos horas o hasta que los tres indicadores de nivel de carga de la batería estén encendidos y el indicador de carga se apague.
2. Para cargar la batería, conecte el adaptador CA al tomacorriente polarizado en la pared (Fig A). Enchufe el otro extremo del adaptador CA al enchufe de carga en el costado de la batería recargable (Fig C). El indicador de carga se pondrá en "ON".
3. Cuando la batería recargable esté completamente cargada el indicador de carga se pondrá en "OFF". Desenchufe el adaptador CA de voltaje múltiple del enchufe de carga en el costado de la batería recargable. La cantidad de tiempo que la batería se demora en recargar dependerá de la antigüedad y el nivel de carga de la batería.

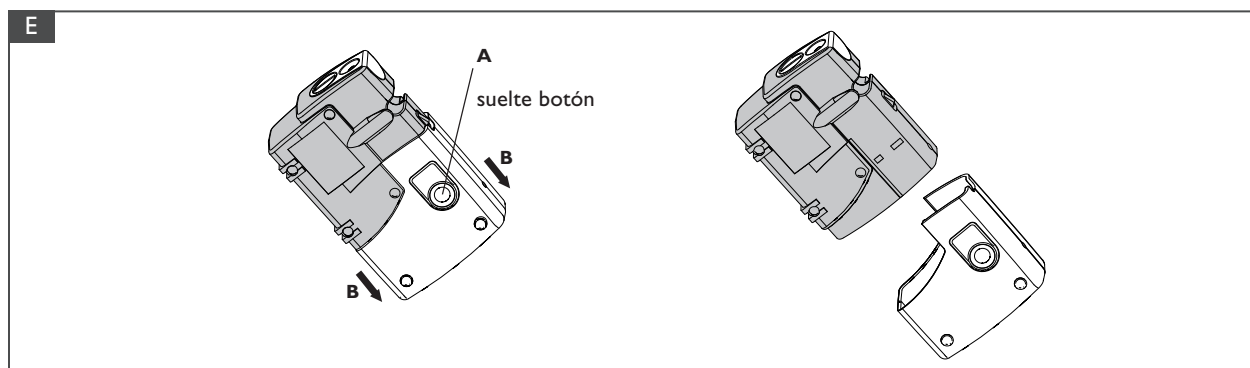
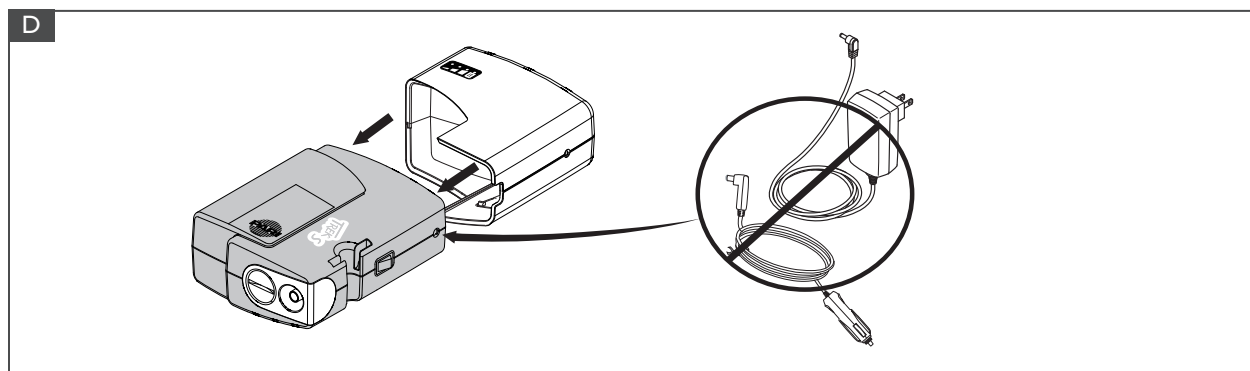
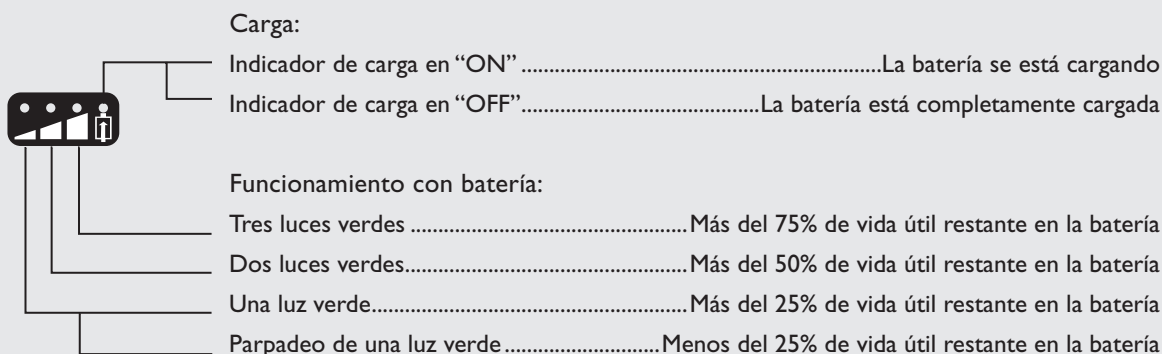
NOTA: No deje enchufado el adaptador CA de voltaje múltiple a la batería recargable por más de 7 días. Si deja la batería conectada al adaptador eléctrico por períodos prolongados, puede reducir la vida útil de la batería.

Cuando no use regularmente la batería, debe cargarla completamente cada seis meses a fin de optimizar y preservar la vida útil de la batería recargable.

NOTA: Si transcurre mucho tiempo sin que cargue la batería, su vida útil se reducirá.

Almacenamiento

Debe guardar la batería completamente cargada en un lugar frío y seco.



D. INSTALACIÓN DEL TREK® S (CONTINUADO)

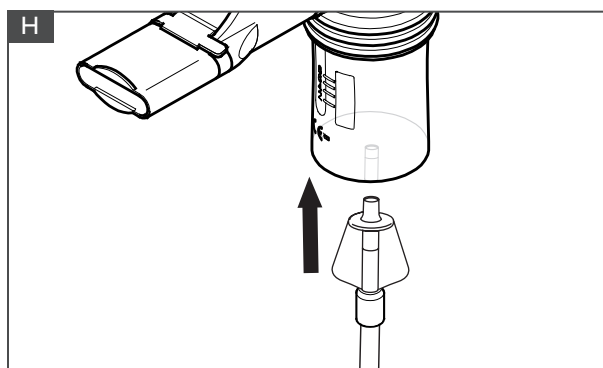
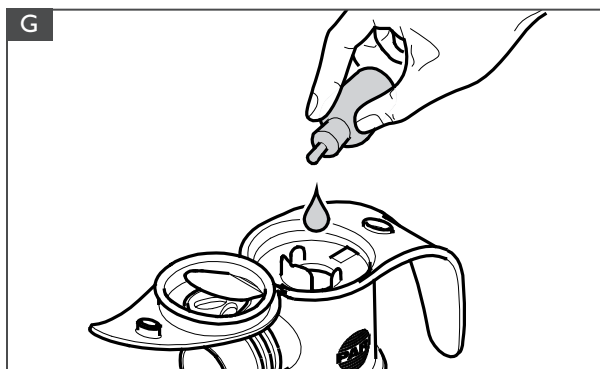
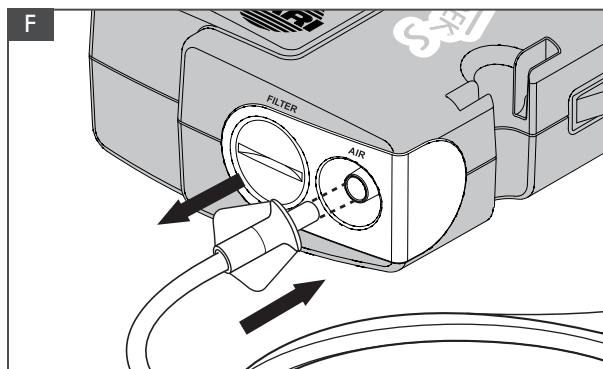
Sólo le quedan 10 pasos para iniciar su tratamiento con Trek® S. Sígalo uno por uno.

1. **Limpie/Desinfecte la Taza del Nebulizador:** Consulte sección E-F para limpiar y/o desinfectar adecuadamente su nebulizador antes del primer uso. Vuelva a armar el nebulizador.
2. **Instale el compresor:** Ubique el compresor en una superficie plana, estable y libre de polvo. No opere el compresor mientras esté en el estuche de transporte o mientras esté cubierto, pues puede provocar una acumulación excesiva de calor en la carcasa del compresor. Evite las superficies acolchadas, tapizadas o alfombradas. Asegúrese de que el interruptor de encendido esté en "OFF" ○.
3. **Conecte la entubación al compresor:** Inserte un extremo de la entubación Wing Tip® a la salida de aire en el compresor. Debe ajustarse bien (Fig. F).
4. **Cargue el Medicamento:** Abra la Tapa de la válvula de inspiración del nebulizador levantándola (Fig. G). Vierta dosis prescrita el medicamento en la taza del nebulizador. Nunca sobrepase la línea de llenado máximo de 8 ml.
5. **Conecte la boquilla o mascarilla:** Si usa la boquilla, conéctela a la salida del nebulizador con la válvula de expiración hacia arriba. Luego, cierre la tapa de la válvula de inspiración al presionarla firmemente en la parte superior del nebulizador. Si usa una mascarilla, referir a sus instrucciones de máscara.
6. **Conecte la entubación a la taza del nebulizador:** Presione con firmeza el otro extremo de la entubación Wing Tip® a la parte inferior del nebulizador reutilizable PARI (Fig. H).

7. **Inicie el tratamiento:** Siéntese en una posición relajada y recta y coloque el compresor en "ON" —.
8. **Posicione el nebulizador:** Coloque la boquilla en la parte superior de la lengua y cierre los labios alrededor de ella. Inspire en forma lenta y profunda. A medida que inhala, se abre la válvula de inhalación.
9. **Respiración:** Si usa boquilla, inhale y exhale lentamente por la boca. Cuando exhala, la válvula en la boquilla se abre para permitir que escape el vapor exhalado. Si usa mascarilla, colóquesela sobre la nariz y la boca e inhale y exhale lentamente.
10. **Finalice el tratamiento:** Continúe hasta que se acabe el medicamento o escuche un sonido suave de "chisporroteo". A pague el compresor "OFF" ○.

NOTA: El compresor PARI TREK® S está protegido con un interruptor térmico reiniciable automático. Si el compresor PARI TREK® S ha alcanzado su límite de temperatura, se apagará automáticamente para evitar daños al compresor. En el caso poco probable de que esto ocurra, apague el compresor PARI Trek® S, asegúrese de que esté en una superficie plana, estable y que no esté cubierto y, deje que se enfríe el compresor. Si el compresor PARI Trek® S no se apaga de manera manual, se reiniciará automáticamente cuando se enfríe.

El compresor PARI TREK® S puede necesitar aproximadamente 30 minutos para enfriarse antes de restablecer el tratamiento. Si el compresor PARI TREK® S no se inicia después de encenderse y haberse dejado enfriar después de 30 minutos, apáguelo, deje que pasen unos cuantos minutos más para que se enfríe el compresor e inténtelo nuevamente. Si debe utilizar el compresor PARI Trek® S durante más de 30 minutos, comuníquese con PARI al 1.800.FAST.NEB (327.8632).



E. LIMPIEZA DE SU NEBULIZADOR REUTILIZABLE PARI

1. Desconecte la entubación de la entrada de aire ubicada en la parte inferior de la taza del nebulizador.
2. Si hay humedad (condensación) en la entubación, permita que el compresor funcione sólo con la entubación conectada por 2 a 3 minutos. El aire tibio del compresor secará la entubación. De manera alternativa, puede secar la entubación al extraerla del compresor y colgarla con los extremos mirando hacia abajo para permitir el drenaje y la evaporación de cualquier rastro de humedad (condensación). Use un trapo limpio para limpiar el exterior de la entubación.
3. Desarme las piezas del nebulizador reutilizable como se muestra en la página 3.
4. Lave todas las piezas con agua tibia y detergente de platos líquido. **NO LAVE LA ENTUBACIÓN.**
5. Enjuague las piezas del nebulizador reutilizable cuidadosamente con agua tibia y sacúdalas para botar los restos de agua.
6. Deje secar al aire las piezas del nebulizador o séquelas a mano sobre un paño limpio y sin pelusa. Vuelva a armar el nebulizador cuando se hayan secado las piezas y guárdelo.
7. También puede lavar todas las piezas del nebulizador reutilizable en la bandeja superior de una lavadora de platos. **NO LAVE LA ENTUBACIÓN.** Coloque las piezas del nebulizador reutilizable en la rejilla de la lavadora de platos y luego coloque la rejilla en la bandeja superior de la lavadora de platos. Extraiga y seque las piezas después de que finalice el ciclo de la lavadora de platos.

⚠ ADVERTENCIA

PARA REDUCIR EL RIESGO DE INFECCIÓN:

1. El nebulizador es para uso individual (un paciente) solamente. No comparta su nebulizador con otros pacientes.
2. Debe desinfectar o esterilizar regularmente el nebulizador entre tratamientos. Si no lo hace, el paciente puede contraer una enfermedad grave o fatal.

! RECUERDE

REEMPLACE LA TAZA DEL NEBULIZADOR REUTILIZABLE CADA SEIS MESES

Es muy importante reemplazar el nebulizador PARI reutilizable cada 6 meses para que los tratamientos sean más efectivos.

Ventajas de reemplazar la taza del nebulizador:

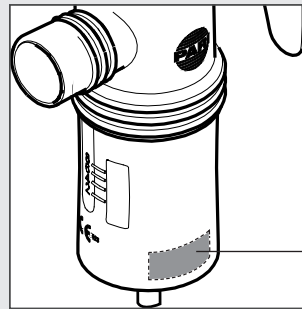
- Suministro consistente del medicamento a los pulmones
- Tratamientos rápidos y eficaces
- Se reduce la contaminación bacterial*

Se incluye una etiqueta en esta configuración. Colocar la etiqueta que corresponde a seis meses a partir de la fecha del primer uso sobre la superficie lisa en la parte inferior de la taza del nebulizador como se indica en esta imagen. La etiqueta es apta para lavaplatos.

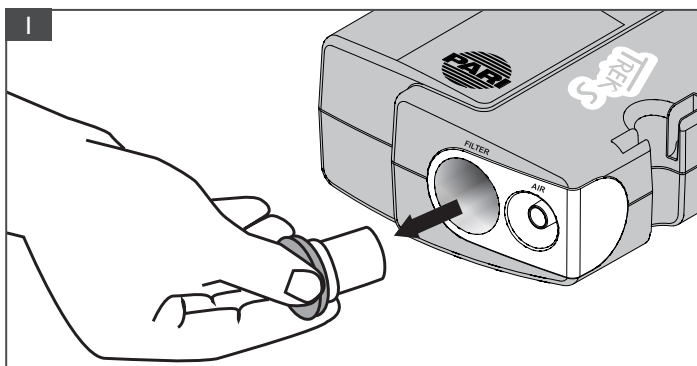
Después de poner la etiqueta, esperar 2 horas antes de limpiarla.

ADVERTENCIA: La etiqueta puede representar un peligro de asfixia en niños pequeños; se requiere supervisión de un adulto.

* Lester, Mary K. Nebulizer Use and Maintenance by Cystic Fibrosis Patients: (Uso y mantenimiento de nebulizadores por parte de pacientes con Fibrosis Quística.) A Survey Study (un estudio de investigación). Respiratory Care 2004; 49(12): 1504-1508.



Etiqueta de reemplazo del Nebulizador, colocación sugerida



F. DESINFECCIÓN SU NEBULIZADOR REUTILIZABLE PARI

1. Limpie el nebulizador como se describe en la Sección E Para realizar una desinfección de bajo nivel cada dos o tres días de tratamiento, remoje todas las piezas del Nebulizador reutilizable PARI (excepto la entubación y la mascarilla) en una solución de 1 parte de vinagre blanco destilado y 3 partes de agua potable durante una hora. Puede reemplazar el desinfectante de equipos respiratorios (como Control III®) por vinagre blanco destilado (siga las instrucciones del fabricante para la mezcla).
2. Enjuague cuidadosamente todas piezas del Nebulizador reutilizable PARI con agua potable y séquelas con un paño limpio sin pelusa. Deseche la solución de vinagre cuando finalice la desinfección.
3. Las piezas del Nebulizador reutilizable PARI (excepto la entubación y la mascarilla) también se pueden desinfectar al hervirlas en un recipiente limpio con agua durante 5 minutos.
4. Los hospitales y clínicas pueden esterilizar las piezas del Nebulizador reutilizable PARI (excepto la mascarilla y la entubación) en autoclave (un máximo de 277° F ó 136° C); siga las instrucciones de autoclave del fabricante.
5. Seque las piezas sobre un paño limpio y sin pelusa.

CONTROL III® ES UNA MARCA COMERCIAL REGISTRADA DE MARIL PRODUCTS, INC.

NOTA : PARA PACIENTES QUE PADECEN DE FIBROSIS QUISTICA, LA CF FOUNDATION RECOMIENDA HERVIR DURANTE 5 MINUTOS PARA DESINFECTAR.

G. MANTENIMIENTO DEL TREK® S

FILTRO

El filtro de aire del Trek® S es blanco brillante cuando está nuevo. Con el uso, el filtro se volverá lentamente gris, lo que indica que debe reemplazarlo. Debe reemplazar inmediatamente el filtro si se moja o se obstruye. Una buena

norma es reemplazar el filtro cada 6 meses, al mismo tiempo que su nebulizador reutilizable PARI.

Extracción: En primer lugar, asegúrese de que el interruptor eléctrico del Trek® S esté apagado. Con una moneda, extraiga la cubierta del filtro de aire al girarla hacia la izquierda. Retire la tapa y el filtro y luego retire el filtro de la tapa, (Fig. I-J). Tome un filtro nuevo y presiónelo en la tapa con el extremo abierto a la vista (Fig. J-K). Coloque la tapa y el filtro nuevamente en la parte frontal de su Trek® S. Use la moneda para ajustar al girar la cubierta hacia la derecha.

NOTA: Existen dos tipos de filtros que se ajustan al compresor Trek S®. Si su filtro está abierto en un extremo como se muestra en la Figura J, siga las instrucciones como se muestra en la Figura J y K. Si su filtro está abierto en ambos extremos, presione cada extremo del filtro en la tapa.

NOTA: No intente lavar y reutilizar Filtros de aire. No use un material de filtro de sustitución, puesto que puede dañar el Compresor.

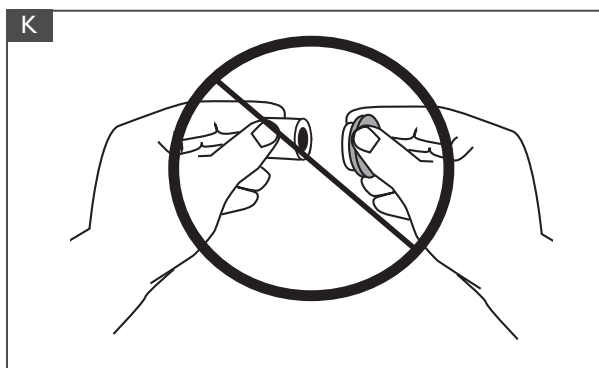
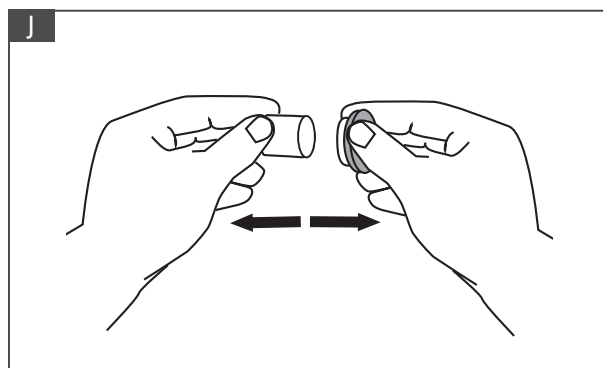
COMPRESOR Y BATERÍA RECARGABLE

Use un trapo limpio y húmedo para limpiar el exterior de la carcasa del compresor. Tenga cuidado de que no entren líquidos al Enchufe eléctrico o a los contactos de la batería, puesto que puede dañarlos.

MANTENIMIENTO Y REPARACIÓN

Nunca use el PARI Trek® S si está armado en forma incorrecta o incompleta o está dañado. Use sólo piezas y accesorios originales PARI autorizados por PARI para el Sistema compresor compacto PARI Trek® S. El uso de otras piezas y accesorios puede dañar la unidad o causar un tratamiento incorrecto. No abra ni desarme la unidad del compresor en ningún momento.

NOTA: No hay piezas que puedan recibir mantenimiento dentro del Sistema compresor compacto PARI Trek® S. El mantenimiento realizado por cualquier otra persona anula la garantía.



H. ESPECIFICACIONES

ESPECIFICACIONES DEL SISTEMA COMPRESOR COMPACTO PARI TREK® S

Peso: (Sólo el compresor).....	0.8 lbs. (360 gramos)
Con batería recargable	1.2 lbs. (520 gramos)
Dimensiones: (Sólo el compresor).....	4.5" x 3.5" x 1.75"
Certificación	IEC/EN 60601-1 e IEC/EN 60601-1-2

RENDIMIENTO DEL COMPRESOR:

Presión máxima del compresor	35 PSI (2.4 Bar)
Flujo máximo de litros del compresor.....	8.5 LPM
Presión operativa del compresor ¹	14.5 PSI (1.0 Bar)
Flujo operativo de litros del compresor ¹	4.0 LPM

¹Medido con el Nebulizador reutilizable PARI LC® Sprint o LC® Plus conectado.

FUNCIONAMIENTO AMBIENTAL:

Rango de temperatura.....	50°F a 104°F (10°C a 40°C)
---------------------------	----------------------------

TRANSPORTE/ALMACENAMIENTO

Temperatura ambiente.....	13°F a 158°F (-25°C a 70°C)
Humedad.....	10% a 95%
Presión atmosférica	500 hPa - 1060 hPa
Requisitos eléctricos del compresor	Entrada de 12VCC 1.67 A 18 vatios

BATERÍA RECARGABLE OPCIONAL:

Tipo de batería	Ión de litio (Li-Ion)
Tiempo de funcionamiento con batería.....	Aproximadamente 40 minutos
Número de tratamientos por carga ²	Aproximadamente 8 tratamientos
Tiempo normal de carga	Aproximadamente 2 horas

² Usando un nebulizador reutilizable PARI para nebulizar 2.5 ml de medicamento.






REQUISITOS ELÉCTRICOS:

Entrada	12VCC 1.67 A
Salida	12VCC 1.67 A

ADAPTADOR CA DE VOLTAJE MÚLTIPLE:

Modelo FUHUA # UE24WU-120167SPA o su equivalente	
Voltaje de entrada.....	100-240 VCA 50/60Hz 600mA
Voltaje de salida	12VCC 1.67A

EXPLICACIÓN DE SÍMBOLOS

Atención : Lea todas las 'Instrucciones de uso' antes de usarlo:.....	
Equipo de aislamiento cerrado Clase II	
Protección tipo "B" contra choque eléctrico:.....	
No lo elimine como desechos no clasificados. Consulte las leyes y reglamentaciones locales para eliminarlo adecuadamente:.....	
Interruptor eléctrico:.....	
Posición 'On' (compresor funcionando):.....	—
Posición 'Off' (compresor apagado):.....	○

Nota: Cuando el interruptor está en la posición 'off' y el compresor no está funcionando, igual existe potencial eléctrico en el interior de la carcasa del compresor. A fin de eliminar la energía del compresor, debe retirar el cable eléctrico o la batería.

I. INFORMACIÓN DE GARANTÍA Y DE DEVOLUCIÓN

GARANTÍA LIMITADA DEL NEBULIZADOR REUTILIZABLE LC® SPRINT

Los nebulizadores reutilizables PARI incluyen una garantía limitada de 6 meses para uso en tratamientos domiciliarios. Si tiene algún problema y necesita devolver el nebulizador reutilizable PARI, comuníquese con PARI Patient Connection al 1.800.FAST.NEB (327.8632).

Asegúrese de limpiar y desinfectar su nebulizador reutilizable PARI y colóquelo en una bolsa plástica antes de devolverlo.

GARANTÍA LIMITADA DEL SISTEMA COMPRESOR COMPACTO PARI TREK® S

PARI ofrece una garantía estándar de tres (3) años para el Compresor PARI TREK® S y de seis (6) meses para los accesorios. El período de garantía se imprimirá en la etiqueta del número de serie ubicada en la parte inferior del compresor. PARI garantiza que el Compresor PARI TREK® S y sus piezas estará libre de defectos de fabricación y materiales por un período de treinta y seis (36) meses a partir de la fecha de la primera compra del compresor en el comercio minorista y de seis (6) meses para el Nebulizador reutilizable PARI y la batería recargable de ión litio. La garantía no contempla fallas de la entubación o los accesorios. Esta garantía no se extiende a fallas resultantes de accidente, uso indebido, abuso, alteración, uso de servicio no autorizado; piezas o soluciones de limpieza o el incumplimiento de las Instrucciones de uso. Si el equipo con garantía falla durante el periodo de garantía, PARI reemplazará el equipo o las piezas en cuestión, siempre y cuando el reclamo sea de buena fe. El comprador asumirá la responsabilidad de empaquetar y devolver el equipo de tal manera de evitar que se produzcan daños durante el transporte. El envío debe pagarse previamente a PARI Respiratory Equipment, Inc. Esta garantía cubre exclusivamente el costo de reemplazo de los artículos con garantía. Para realizar un reclamo en virtud de esta garantía, comuníquese con PARI Patient Connection al: 1.800.FAST.NEB (327.8632), Presione 2.

NO EXISTEN OTRAS GARANTÍAS EXPRESAS. TODAS LAS GARANTÍAS IMPLÍCITAS DEL COMPRESOR PARI TREK® S Y SUS PIEZAS, INCLUIDAS LAS GARANTÍAS IMPLÍCITAS DE COMERCIABILIDAD Y ADECUACIÓN PARA UN PROPÓSITO PARTICULAR, SE LIMITAN A TREINTA Y SEIS (36) MESES A PARTIR DE LA FECHA DE LA PRIMERA COMPRA EN EL MERCADO MINORISTA. TODAS LAS GARANTÍAS EXPRESAS O IMPLÍCITAS SOBRE CUALQUIER OTRA PIEZA, INCLUIDAS LAS GARANTÍAS IMPLÍCITAS DE COMERCIABILIDAD Y ADECUACIÓN PARA UN PROPÓSITO PARTICULAR, ESTÁN EXCLUIDAS. Algunos estados no permiten limitaciones en el periodo de vigencia de una garantía implícita, de manera que es posible que la limitación anterior no se aplique a usted. La única y exclusiva medida de remediación en virtud de esta garantía es el reemplazo del Compresor PARI TREK® S y/o sus piezas por parte de PARI. EN NINGUNA CIRCUNSTANCIA PARI ASUMIRÁ LA RESPONSABILIDAD POR DAÑOS INCIDENTALES O EMERGENTES EN EL COMPRADOR O CUALQUIER TERCERO, INCLUIDOS, PERO SIN LIMITACIÓN, DAÑOS POR PÉRDIDAS DE UTILIDADES, PÉRDIDA DE OPORTUNIDADES COMERCIALES, PÉRDIDA DE PROPIEDAD, PÉRDIDAS ECONÓMICAS, DAÑOS LEGALES O POR ESCARMIENTO, YA SEA POR NEGLIGENCIA, GARANTÍA, RESPONSABILIDAD CIVIL ESTRUCTIVA O DE OTRA NATURALEZA. Algunos estados no permiten la exclusión o limitación de daños incidentales o emergentes, de manera que es posible que las limitaciones anteriores no se apliquen a usted. Esta garantía le concede derechos específicos. Es posible que también tenga otros derechos, según el estado donde vive.

PROCEDIMIENTO DE DEVOLUCIÓN

1. Comuníquese con PARI Patient Connection al 1.800.FAST.NEB (327.8632), Presione 2 para comunicarse con un centro de servicio autorizado.
2. Describa por escrito el funcionamiento incorrecto o síntomas del PARI Trek® S. Incluya su nombre completo, dirección y número de teléfono al que lo podamos llamar durante el día.
3. Envíe una descripción escrita y el PARI Trek® S (límpielo siguiendo las instrucciones en la Sección 4) en una caja protectora a la dirección que le proporcionó Patient Connection.



En línea en pari.com/register



Llame al 1.800.FAST.NEB (327.8632)



Llene la tarjeta de registro predirigida con franqueo prepago y colóquela en cualquier Buzón USPS.

No registrar su Trek® S no afecta su garantía limitada estándar del producto.

Si tiene algún problema y necesita devolver su compresor Trek® S, comuníquese con PARI Patient Connection al 1.800.FAST.NEB (327.8632).

Fabricado para:

PARI Respiratory Equipment, Inc.

2412 PARI Way, Midlothian, VA 23112 Estados Unidos

Tel: 800.FAST.NEB (327.8632) y 804.253.7274

Fax: 800.727.4112 | Product.Info@PARI.com

En línea en: www.PARI.com



© 2018 PARI Respiratory Equipment, Inc.
047D0206 Rev B 04/18