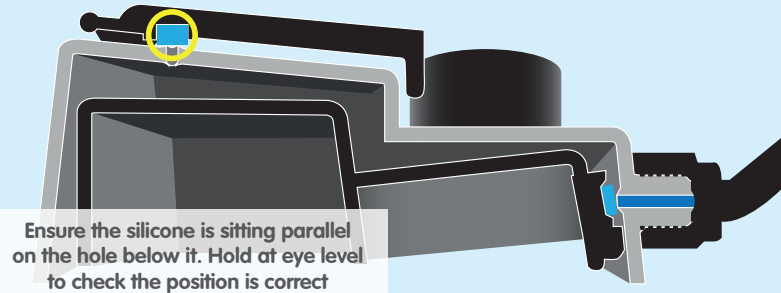




## Simple care guidelines



### Ensuring that the AQUAvalve5 floods and drains correctly

- 1 Making sure your AQUAvalve5 floods and drains correctly is simply achieved and only takes a few seconds.
- 2 Hold the AQUAvalve5 at eye level so that you can see the silicone fitted to the top float resting on the hole below it.
- 3 The silicone must create a tight seal when touching the hole.
- 4 If it looks like it is not sitting parallel on the hole below, simply lift the top float and apply pressure to one side of the silicone, drop the float and hold at eye level again. Repeat the procedure if necessary.

### Care and maintenance

- 1 At the end of your growing season, clean the AQUAvalve5 using warm soapy water. Using an old tooth brush will help.  
  
The AQUAvalve5 is easily disassembled. The top float will slide all the way across and the bottom float is unclipped from its pivoting position. The circular discs fitted to the top float can also be removed by using pliers to grip the raised point.  
  
At this point it is advisable to remove the silicones to avoid them being lost.
- 2 It is also handy to have a paper clip or pipe cleaner to hand so that you can push it through the AQUAvalve5 nozzle, this will remove any lime scale build up that may have occurred during the growing season.  
  
Blowing through the AQUAvalve5 nozzle will also help to remove any build up. Do not under any circumstances use a drill & drill bit to clear the AQUAvalve5 nozzle.  
  
**This will potentially damage the AQUAvalve5 beyond repair.**

## Your easy2grow 20 set-up guidelines

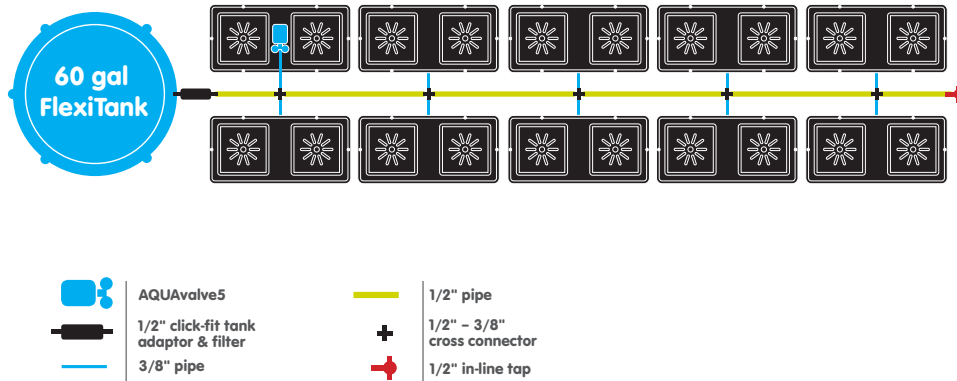


## easy2grow 20 contents

- 1x 60 gal FlexiTank
- 10x 2Pot tray & lid
- 20x 2.2 gal pot
- 10x AQUAvalve5
- 1x 1/2" click-fit adaptor and filter
- 1x 1/2" in-line tap
- 5x 1/2-3/8" cross connector
- 20ft of 1/2" pipe
- 20ft of 3/8" pipe
- 20x Root Control Sheet
- 20x PotSock Square

## Plan views and options

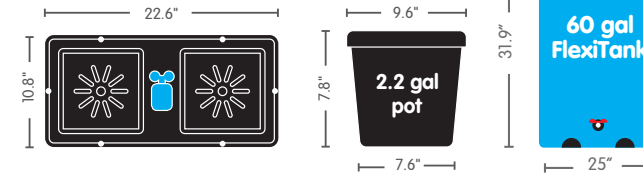
### Suggested layout



### Advice

- Pot up your plants, water through, then allow your plants to establish in the pots for a period of 7 to 10 days before turning your system on. This will encourage a stronger and healthier root system.
- Always raise your reservoir to a minimum of 6" above the highest AQUAvalve5 and re-fill the reservoir when there is approximately a 1/3 of the solution left - NEVER ALLOW THE RESERVOIR TO RUN EMPTY.
- With AQUAvalve5 systems mineral or organic fertilisers may be fed via the reservoir and pipework. Organic fertilisers will require a water pump in the reservoir running for 15 mins every 2 hrs and cleaning of the reservoir, pump, and filter each time the reservoir empties. Flush pipework with plain water every time the reservoir empties.
- Clean all substrate from the bottom and sides of the pots before placing in each tray. This will ensure your system is clean from the start.
- Always use free draining substrates, for example: soil/perlite, coco/perlite, soil/clay pebbles, coco/clay pebbles, rockwool/clay pebbles.

## easy2grow dimensions



## easy2grow 20 setup instructions

- Put Root Control Sheets into pots gold face down.
- Fill pots with medium and pot up plants.  
Water through pots and allow to drain outside the tray.
- Remove collar.  
Push 3/8" pipe through collar and attach to AQUAvalve5 nozzle.  
Rescrew collar - **DON'T overturn...** when you feel it grip **STOP**.
- Connect AQUAvalve5 so 'half moon' is on T section in the tray.  
Position tray so it is level
- Fit PotSock Squares over the bases of the pots
- Cut 3/8" / 1/2" pipe to appropriate length.
- According to the size of your system connect your 3/8" / 1/2" pipe to relevant fitting or reservoir...
- Place both pots in tray, make sure they are **CLEAN!**  
Place lid over valve onto tray.

Using your front instruction sheet, repeat the module set up instructions for the number of trays.

**Allow your plants to establish for 7-10 days before turning system on**

### Advice

If you require any guidance email - [info@autopot-usa.com](mailto:info@autopot-usa.com)