



iL1c
LED Lighting Solutions



USER MANUAL

iL1c 330W



IL-A133026-FSG-120

1-877-540-5588
iluminarlighting.com
sales@iluminarlighting.com



CONTENTS

Pre-Install Information	2
Technical & Physical Specifications.....	3
Hardware & Accessories	4
Hanging Instructions	5
Connection Instructions	6-7
PPFD MAP.....	8-9
Important Cautions & Warranty	10

Please read this manual thoroughly prior to installing or operating the ILUMINAR iL1c.

- Observe all safety precautions (see page 10), seek the services of a qualified electrician, installation professional, or call ILUMINAR Lighting technicians for assistance.
- DO NOT handle or touch the fixture while in use.
- Connect the fixture only to the power sources of the appropriate voltage using the correct AC plug type. Protect power cables from being pinched, walked on, or otherwise damaged. Be especially careful where the power cable enters the power outlet to the unit. Only connect the fixture to an electrical outlet or extension cord of comparable standard and level rating. Connect the fixture ONLY to the power sources of the correct voltage using the plug received.
- The fixture should only be cleaned as directed. Always seek service for your system by qualified service personnel if any of the following occur:
 1. The fixture shows a noticeable change in performance.
 2. The power-supply cord or plug is damaged.
 3. The fixture has been dropped, or the exterior is damaged.



LED Lighting Solution

VOLTAGE: 100-277V

MODEL: 2.6 WATTS: 330W

SKU: IL-A133026-FSG-120

TECHNICAL SPECS

PPF	858 $\mu\text{mol/s}$
Efficacy	2.6 $\mu\text{mol/J}$
Min Power Factor	>0.9
THD	<20%
Crest Factor	0.99
Heat Output (BTU/h)	1122
Rated Voltage	120-277V AC
Voltage Range (+/-10%)	100-277V
Frequency	50 / 60Hz
Dimmable	0-10V Controllable
Ambient Temperature	0 - 35°C / 32-95°F
Relative Humidity	98%
Plug Type	Power Cord Sold Separately
Color Temperature	4000k
Color Rendering Index	88
Minimum Mounting Height	18-48" to top of Canopy
Emitter Cooling	Passive Thermal Management
Light Distribution +/- 5%	125°
Waterproof Rating	iP65 for Damp/Wet Conditions
LED Lifespan (90% of Life)	54,000+ hours

PHYSICAL SPECIFICATIONS

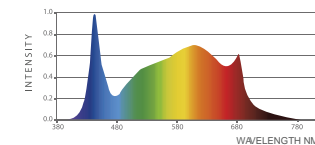
Length	1000mm	39.38"
Width	129mm	5.1"
Height	200mm	7.9"
Weight	8.3kg	18.3lbs

VOLTAGE AND AMPERAGE

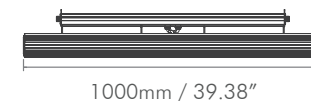
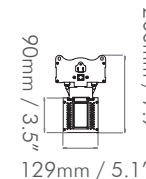
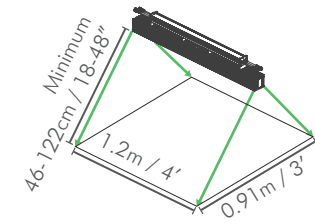
120V	2.85A	341W
208V	1.63A	335W
240V	1.41A	332W
277V	0.22A	330W
347V	0.99A	340W
480V	0.71A	331W



iL1c LED SPECTRUM



MOUNTING & COVERAGE



iluminarlighting.com
Toll Free: 1-877-540-5588

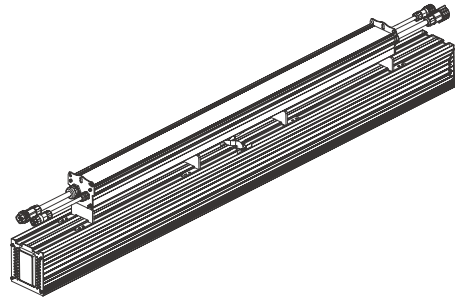
5 YEAR
WARRANTY



HARDWARE AND ACCESSORIES

The iL1c can be hung from steel cables or can be mounted to a rack.

Before you begin installation, check that you have all the necessary parts to begin.



IN THE BOX



1 iL1c Fixture



1 Power Supply

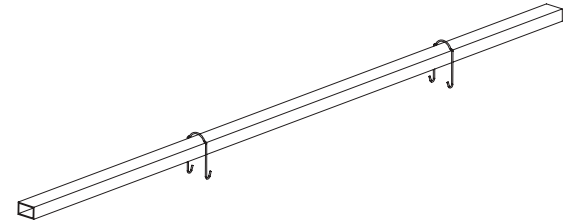


2 Hooks

HANGING INSTALLATION

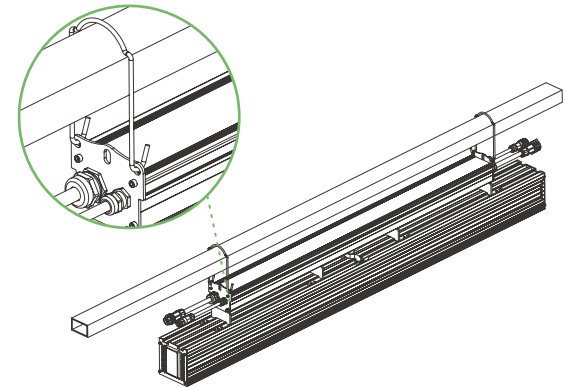
1

Set the hooks on the beam.



2

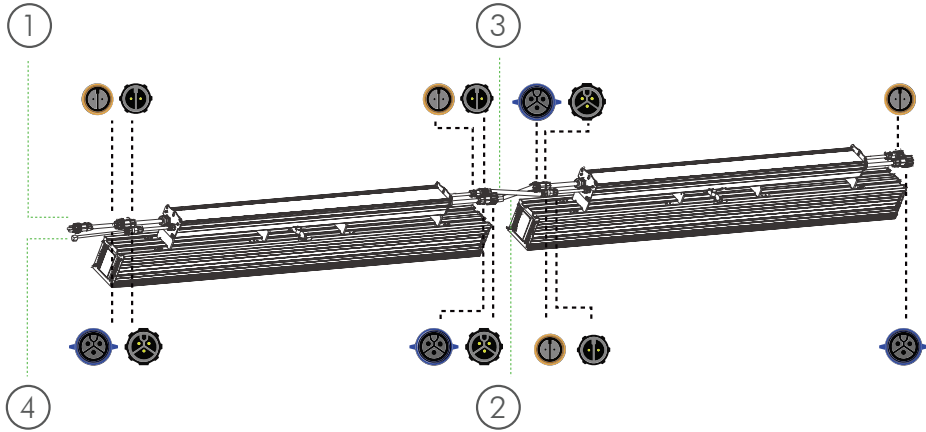
Hang the light into hooks.



CONNECTIONS

If you plan to utilize several LEDs in your room or facility, one of the many benefits of the ILUMINAR LED is that you can “daisy chain” one fixture to another to save space and use only one outlet to run several lamps, thus minimizing the amount of cords used in your space.

If you plan to utilize the ILUMINAR HASH Controller, connect the connections from the controller to the fixture and then connect the Daisy Chain Controller Cable from fixture to fixture. Please consult with our lighting layout designers to ensure proper spacing of outlets for your unique setup.



AVAILABLE CABLES

	NAME	VOLTAGE	SKU	LENGTH	DIAGRAM
①	120V Input Power Connection Cord	120V	IL-LED-120AC	1.7m / 68"	
	240V Input Power Connection Cord	240V	IL-LED-240AC	1.7m / 68"	
	277V Input Power Connection Cord	277V	IL-LED-277AC	1.7m / 68"	
	347V Input Power Connection Cord	347V	IL-LED-347AC	1.7m / 68"	
②	Daisy Chain Power Cable 1.8 Meter	120-277V	IL-LED-DC120	1.8m / 70"	
	Daisy Chain Power Cable 3 Meter	120-277V	IL-LEDDC1203M	3m / 118"	
	Daisy Chain Power Cable 1.8 Meter (Hi-Volt)	200-480V	IL-LED-DC480	1.8m / 70"	
	Daisy Chain Power Cable 3 Meter (Hi-Volt)	200-480V	IL-LED-DC4803M	3m / 118"	
③	Cord Set for LEDs Daisy Chain Dimmer	N/A	IL-1Dim18	1.8m / 70"	
	Cord Set for LEDs Daisy Chain Dimmer	N/A	IL-1Dim3	3m / 118"	
④	Cord Set for LEDs (Fixture to Touch controller)	N/A	IL-1DimRJ9	3m / 10'	
	Cord Set for LEDs (Fixture to HASH controller)	N/A	IL-1DimRJ14	3m / 10'	
	Cord Set for LEDs (Original - Fixture to 2 Wire)	N/A	IL-1Dim	0.7m / 2.3'	

PPFD MAP iL1c 330W at 1.5ft

PPFD MAP iL1c 330W at 4ft

115	197	318	430	434	327	206	123
148	265	446	623	628	458	277	158
174	316	540	758	765	554	330	185
188	342	585	820	827	600	358	200
188	342	584	820	827	600	358	199
174	316	539	757	764	554	330	185
149	264	445	621	627	457	276	158
116	197	317	429	433	325	206	123

102	119	132	140	140	134	121	105
115	134	149	158	159	151	136	117
124	145	162	173	173	164	147	127
128	151	169	180	181	171	153	131
128	151	169	180	180	171	153	131
123	145	162	172	173	164	147	126
114	133	149	158	159	151	136	117
102	119	132	139	140	133	121	105

Clearance	1.5	ft
Qty	1	u
Average PPFD	396.48	μmol/m2/s
Max PPFD	827	μmol/m2/s
Min PPFD	115	μmol/m2/s
Median PPFD	336	μmol/m2/s
Min/Average	29.01	%
Watts	321.7	W

Clearance	4	ft
Qty	1	u
Average PPFD	143.34	μmol/m2/s
Max PPFD	181	μmol/m2/s
Min PPFD	102	μmol/m2/s
Median PPFD	142.5	μmol/m2/s
Min/Average	71.16	%
Watts	321.7	W

Legend

>=1000	762-1000	581-762	443-581	338-443	258-338	196-258	150-196	<150
--------	----------	---------	---------	---------	---------	---------	---------	------

Legend

>=1000	762-1000	581-762	443-581	338-443	258-338	196-258	150-196	<150
--------	----------	---------	---------	---------	---------	---------	---------	------

CAUTION

Please read the following list carefully prior to beginning installation.

1. Leave at least one inch of space between the fixture and the mounting area for maximum performance and lifespan.
2. ALWAYS wear protective eyewear when looking directly at the diodes to prevent eye damage.
3. Only handle, clean or move fixture when it's unplugged and completely cool.
4. Keep the fixture free of dust, debris, deposits to ensure the maximum potential of the fixture.
5. NEVER use cloth to clean the diodes. This will scratch the diodes and could potentially break or dislodge them.
6. DO NOT use chemicals to clean the fixture. Use ONLY low pressure air or low pressure water to remove dust and debris
7. Do NOT use sulfur vaporizers.

5 YEAR
WARRANTY

GUARANTEE

At ILUMINAR, we stand behind our products and our technology as well as our customers. All ILUMINAR fixtures are backed by our 5-Year Guarantee. Please visit our website iluminarlighting.com/warranty for more information.