



iLi6
LED Lighting Solutions



USER MANUAL

iLi6



Intertek

IL-i627FSG-120
IL-i627FSG-480

1-877-540-5588
iluminarlighting.com
sales@iluminarlighting.com



CONTENTS

Pre-Install Information	2
Technical & Physical Specifications.....	3
Hardware & Accessories	4
Connections & Hanging Instructions	5-6
Mounting Instructions	7
Wiring Diagram	8-9
Important Cautions & Warranty	10

Please read this manual thoroughly prior to installing or operating the ILUMINAR iLi6.

- Observe all safety precautions (see page 10), seek the services of a qualified/certified/licensed/insured electrician, or call ILUMINAR Lighting technicians for assistance.
- DO NOT handle or touch the fixture while in use.
- DO NOT touch diodes or apply direct force to the diodes as this can/will cause permanent damage.
- Connect the fixture only to the power sources of the appropriate voltage using the correct AC plug type. Protect power cables from being pinched, walked on, or otherwise damaged. Be especially careful where the power cable enters the power outlet to the unit. Only connect the fixture to an electrical outlet or extension cord of comparable standard and level rating. Connect the fixture ONLY to the power sources of the correct voltage using the plug received.
- The fixture should only be cleaned as directed. Always seek service for your system by qualified service personnel if any of the following occur:
 1. The fixture shows a noticeable change in performance.
 2. The power-supply cord or plug is damaged.
 3. The fixture has been dropped, or the exterior is damaged.



iLi6

LED Lighting Solution

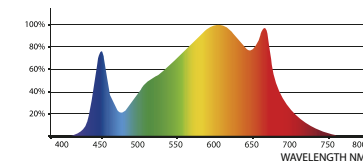
MODEL:	2.7	WATTS:	630W
VOLTAGE:	120-277V		347-480V
SKU:	IL-i627FSG-120		IL-i627FSG-480



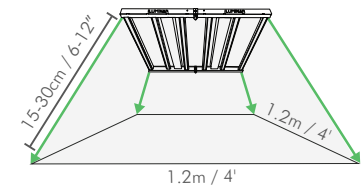
TECHNICAL SPECIFICATIONS

Rated Voltage	120-277V AC	347-480V AC
Voltage Range (+/-10%)	100-277V	347-480V
PPF	1700 $\mu\text{mol/s}$	
Efficacy	2.7 $\mu\text{mol/J}$	
Min Power Factor	0.9	
THD	< 10%	
Crest Factor	0.99	
BTU	2155	
Frequency	50 / 60Hz	
Dimmable	0 - 10V Controllable	
Ambient Temperature	0 - 35°C / 32-95°F	
Relative Humidity	98%	
Plug Type	Power Cord Sold Separately	
Color Temperature	4000k	
Color Rendering Index	88	
Minimum Mounting Height	6-12" (15-30cm) to top of Canopy	
Emitter Cooling	Passive Cooling	
Light Distribution +/- 5%	125°	
Waterproof Rating	IP66 for Damp/Wet Conditions	
LED Lifespan (90% of Life)	36,000+ Hours	

iLi6 630W LED SPECTRUM



MOUNTING & COVERAGE

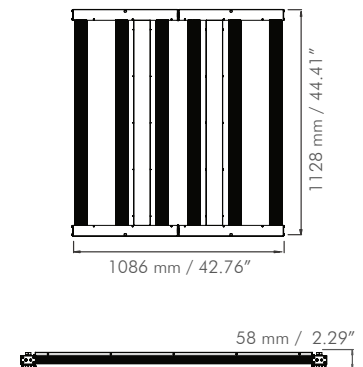


PHYSICAL SPECIFICATIONS

Length	1128mm	44.41"
Width	1086mm	42.76"
Height	58mm	2.29"
Weight	17.6kg	38.8lbs

VOLTAGE AND AMPERAGE

120V	5.38A	646W
208V	3.03A	630W
240V	2.63A	631W
277V	2.27A	629W
347V	1.79A	621W



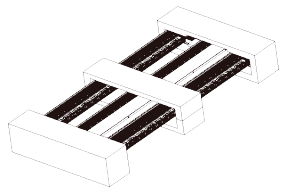
HARDWARE AND ACCESSORIES

The iLi6 can be hung from rope ratchets or can be mounted to a rack.

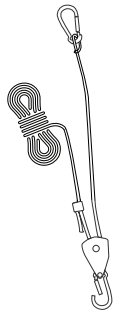
Before you begin installation, check that you have all the necessary parts to begin.



IN THE BOX



1 iLi6 Fixture

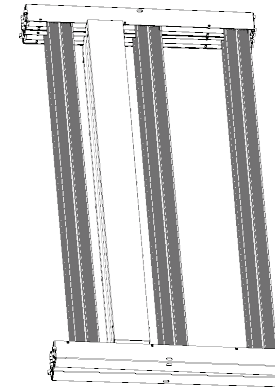


4 hanging rope ratchets with attached cylindrical locks for hanging

ASSEMBLY INSTRUCTIONS

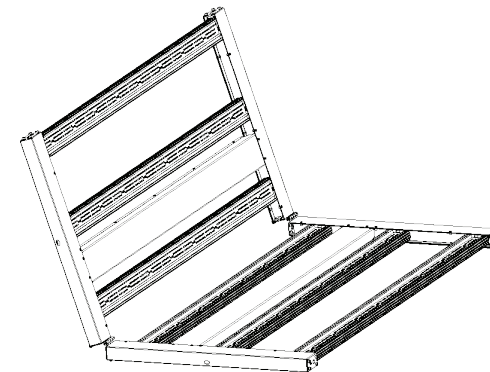
1

Open the package and take out the LED grow light and place it on the table.



2

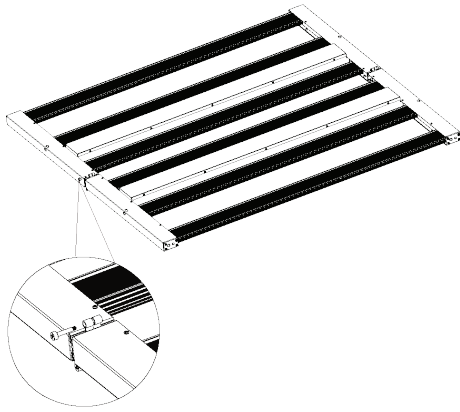
Unfold the LED grow light fixture and ensure the light output surface faces the table.



CAUTION when handling your ILUMINAR iL Fixture. The LED array should NOT come in contact with sharp objects. DO NOT touch diodes or apply direct force to the diodes as this can/will cause permanent damage.

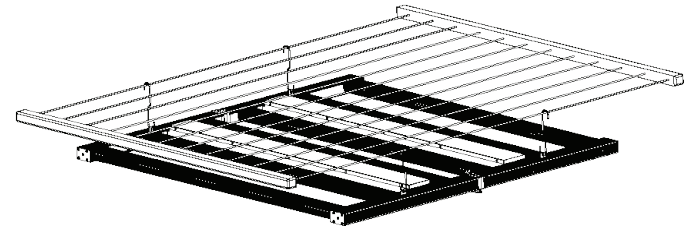
3

Take out the lock-shaft and lock the attachable end cap.



5

Lift the LED fixture and hang it on the long S-hooks.



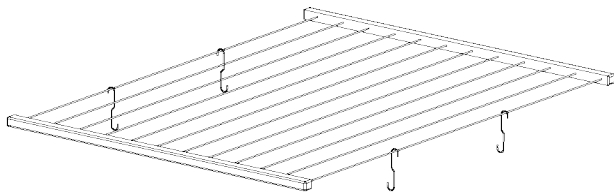
7

HANGING INSTALLATION

SURFACE MOUNTING INSTRUCTIONS

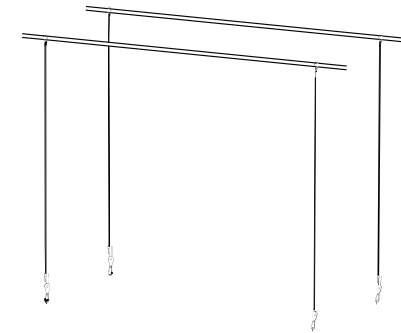
4

There are two ways to mount your LED grow light fixture: Suspending Mounting (default) and Surface Mounting. Surface Mount using long S-hooks (not provided) to hang the fixture from shelving.



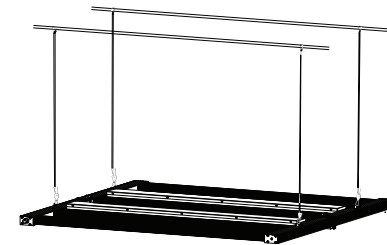
6

To Suspend Mount (default), use the 4 hanging rope ratchets that come packaged with this fixture and hang them from the ceiling.



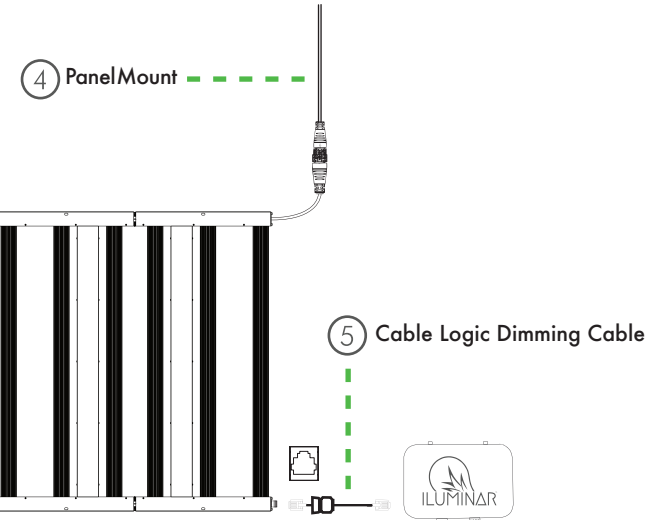
7

Then lift the LED fixture and hang it from the rope ratchets.

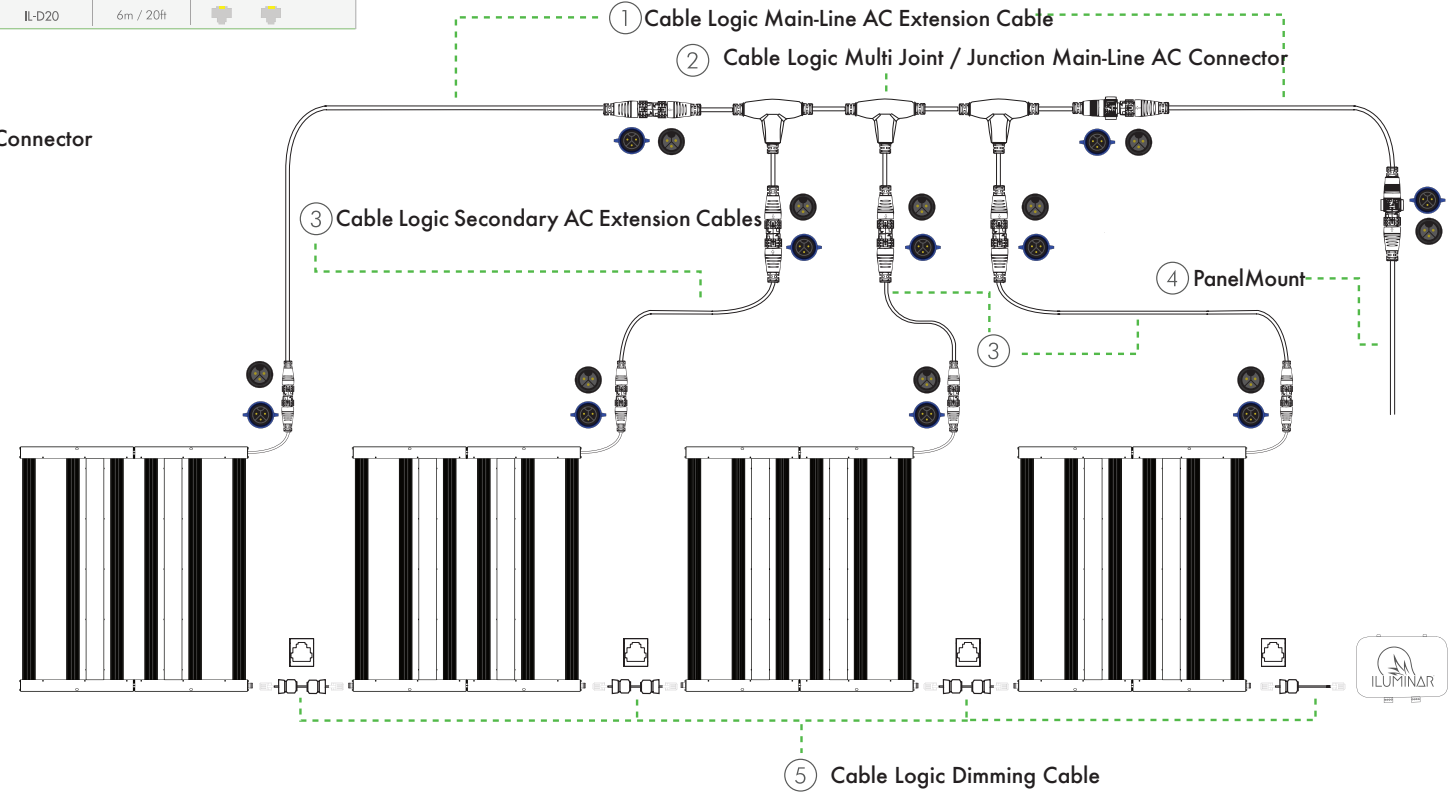
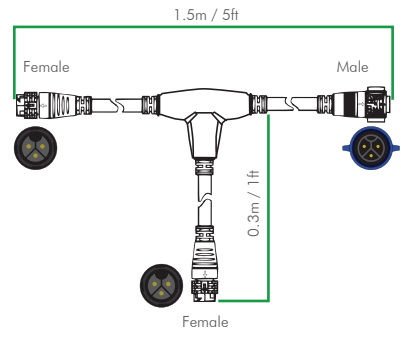


WIRING DIAGRAM

	NAME	VOLTAGE	SKU	LENGTH	DIAGRAM
①	Cable Logic Main-Line AC Extension Cable 16A	120V-480V	IL-TML3	0.9m / 3ft	
	Cable Logic Main-Line AC Extension Cable 16A	120V-480V	IL-TML6	1.8m / 6ft	
	Cable Logic Main-Line AC Extension Cable 16A	120V-480V	IL-TML15	4.5m / 15ft	
②	Cable Logic Single Joint / Junction Main-Line AC Connector	120V-480V	IL-SJC	1.5m / 5ft	
	Cable Logic Multi Joint / Junction Main-Line AC Connector	120V-480V	IL-MJC	4.5 / 15 ft	
③	Cable Logic Secondary AC Extension Cables 10A	120V-480V	IL-TS3	0.9m / 3ft	
	Cable Logic Secondary AC Extension Cables 10A	120V-480V	IL-TS6	1.8m / 6ft	
④	Cable Logic 120V AC Power	120V	IL-T120	0.25m/10"	
	Cable Logic 240V AC Power	240V	IL-T240	0.25m/10"	
	Cable Logic 277V AC Power	277V	IL-T277	0.25m/10"	
	Cable Logic 347V AC Power	347V	IL-T347	0.25m/10"	
	Cable Logic Panel Mount 20A - 480 VAC	480V	IL-PNLM	0.15m / 6"	
⑤	Cable Logic Dimming Cable 1.3ft	0-10V	IL-D1	0.3m / 1.3ft	
	Cable Logic Dimming Cable 3ft	0-10V	IL-D3	0.9m / 3ft	
	Cable Logic Dimming Cable 6ft	0-10V	IL-D6	1.8m / 6ft	
	Cable Logic Dimming Cable 10ft	0-10V	IL-D10	3m / 10ft	
	Cable Logic Dimming Cable 20 ft	0-10V	IL-D20	6m / 20ft	



② Cable Single Joint / Junction Main-Line AC Connector



CAUTION

Please read the following list carefully prior to beginning installation.

1. Leave at least one inch of space between the fixture and the mounting area for maximum performance and lifespan.
2. ALWAYS wear protective eye wear when looking directly at the diodes to prevent eye damage.
3. The LED array should NEVER come in contact with sharp objects.
4. Do not touch or apply force to the diodes - this will cause permanent damage.
5. Only handle, clean or move fixture when it's unplugged and completely cool.
6. Keep the fixture free of dust, debris, deposits to ensure the maximum potential of the fixture.
7. NEVER use cloth to clean the diodes. This will scratch the diodes and could potentially break or dislodge them.
8. DO NOT use chemicals to clean the fixture. Use ONLY low pressure air or low pressure water to remove dust and debris.
9. DO NOT exceed 70% max load for breakers due to Inrush current in LED fixtures.

5 YEAR
WARRANTY

GUARANTEE

At ILUMINAR, we stand behind our products and our technology as well as our customers. All ILUMINAR LED fixtures are backed by our 5-Year Guarantee. Please visit our website iluminarlighting.com/warranty for more information.