



**iL1**  
LED Lighting Solutions



# USER MANUAL

**iL1 530W**  
**iL1 660W**



Intertek



**IL-A153026-FSG-120**  
**IL-A166026-FSG-120**

1-877-540-5588  
iluminarlighting.com  
sales@iluminarlighting.com



Pre-Install Information .....	2
Technical & Physical Specifications.....	3
Hardware & Accessories .....	4
Hanging Instructions .....	5
Connections .....	6-7
PPFD MAP.....	8-11
Important Cautions & Warranty .....	12

## Please read this manual thoroughly prior to installing or operating the ILUMINAR iL1.

- Observe all safety precautions (see page 12), seek the services of a qualified electrician, installation professional, or call ILUMINAR Lighting technicians for assistance.
- DO NOT handle or touch the fixture while in use.
- Connect the fixture only to the power sources of the appropriate voltage using the correct AC plug type. Protect power cables from being pinched, walked on, or otherwise damaged. Be especially careful where the power cable enters the power outlet to the unit. Only connect the fixture to an electrical outlet or extension cord of comparable standard and level rating. Connect the fixture ONLY to the power sources of the correct voltage using the plug received.
- The fixture should only be cleaned as directed. Always seek service for your system by qualified service personnel if any of the following occur:
  1. The fixture shows a noticeable change in performance.
  2. The power-supply cord or plug is damaged.
  3. The fixture has been dropped, or the exterior is damaged.



LED Lighting Solution

TECHNICAL SPECS	530W	660W
PPF	1378 $\mu\text{mol/s}$	1716 $\mu\text{mol/s}$
Heat Output (BTU/h)	1802	2244
Efficacy	2.6 $\mu\text{mol/J}$	
Power Factor	>0.9	
THD	<20%	
Crest Factor	0.99	
Rated Voltage	120-277V AC	
Voltage Range	100-277V	
Frequency	50 / 60Hz	
Dimmable	0-10V Controllable	
Ambient Temperature	0 - 35°C / 32-95°F	
Relative Humidity	98%	
Color Temperature	4000k	
Color Rendering Index	88	
Minimum Mounting Height	> 18" to top of Canopy	
Emitter Cooling	Passive Thermal Management	
Light Distribution +/- 5%	125°	
Waterproof Rating	IP65 for Damp/Wet Conditions	
LED Lifespan (90% of Life)	>54,000 hours	

### VOLTAGE AND AMPERAGE

	530W		660W	
120V	4.52A	541W	5.67A	678W
208V	2.58A	532W	3.26A	671W
240V	2.24A	527W	2.81A	663W
277V	1.93A	521W	2.42A	655W
347V	1.56A	539W	1.96A	676W
480V	1.12A	525W	1.41A	661W

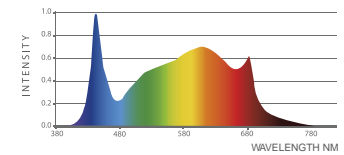
### PHYSICAL SPECIFICATIONS

	530W	660W
Length	1140mm / 44.9"	1500mm / 59.1"
Width	129mm / 5.1"	129mm / 5.1"
Height	200mm / 7.9"	200mm / 7.9"
Weight	10.2 Kg / 22.5 lbs	12.5 Kg / 27.5 lbs

MODEL: 2.6	VOLTAGE: 100-277V
WATTS: 530W	SKU: IL-A153026-FSG-120
660W	IL-A166026-FSG-120

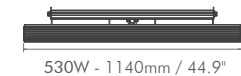
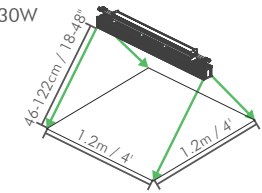


### iL1 LED SPECTRUM

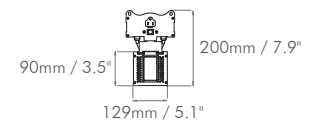
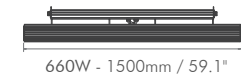
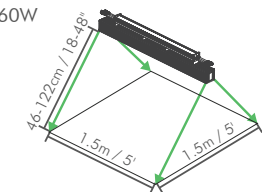


### MOUNTING & COVERAGE

530W



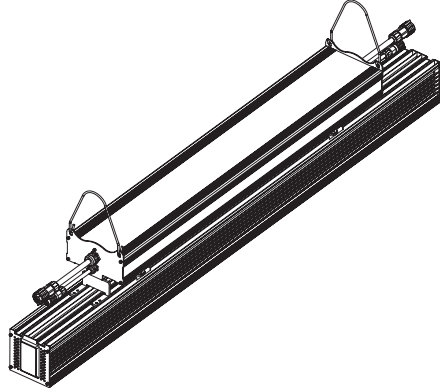
660W



# HARDWARE AND ACCESSORIES

The iL1 can be hung from steel cables or can be mounted to a rack.

Before you begin installation, check that you have all the necessary parts to begin.



# IN THE BOX



1 iL1 Fixture



2 Power Supply

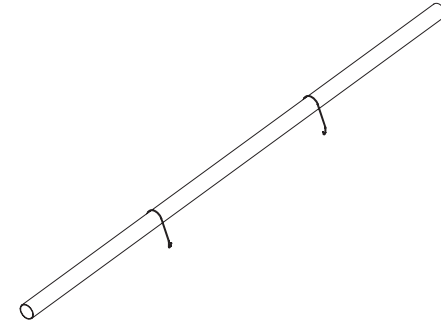


2 Hooks

# HANGING INSTALLATION

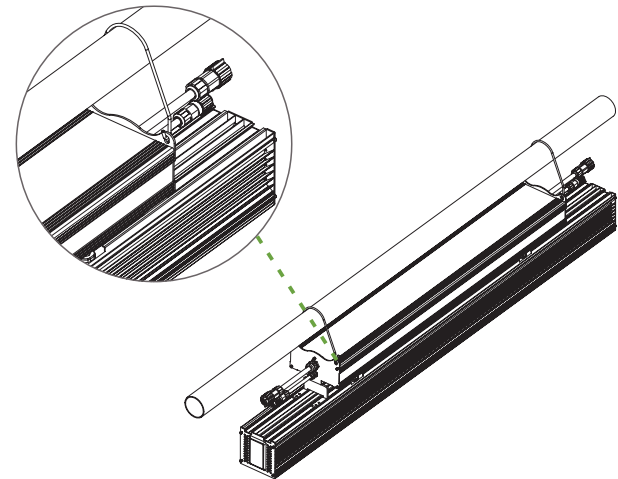
1

Set the hooks on the beam.



2

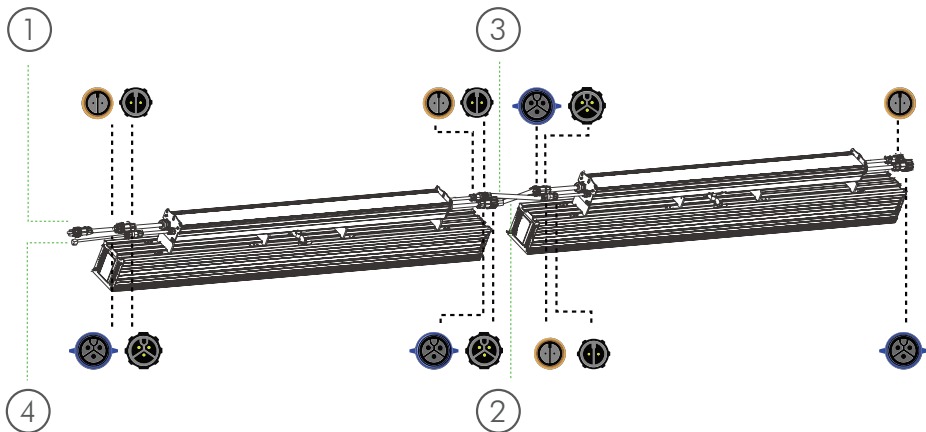
Hang the light into hooks.



# CONNECTION

If you plan to utilize several LEDs in your room or facility, one of the many benefits of the ILUMINAR LED is that you can “daisy chain” one fixture to another to save space and use only one outlet to run several lamps, thus minimizing the amount of cords used in your space.

If you plan to utilize the ILUMINAR HASH Controller, connect the connections from the controller to the fixture and then connect the Daisy Chain Controller Cable from fixture to fixture. Please consult with our lighting layout designers to ensure proper spacing of outlets for your unique setup.



## AVAILABLE CABLES

	NAME	VOLTAGE	SKU	LENGTH	DIAGRAM
①	120V Input Power Connection Cord	120V	IL-LED-120AC	1.7m / 68"	
	240V Input Power Connection Cord	240V	IL-LED-240AC	1.7m / 68"	
	277V Input Power Connection Cord	277V	IL-LED-277AC	1.7m / 68"	
	347V Input Power Connection Cord	347V	IL-LED-347AC	1.7m / 68"	
②	Daisy Chain Power Cable 1.8 Meter	120-277V	IL-LED-DC120	1.8m / 70"	
	Daisy Chain Power Cable 3 Meter	120-277V	IL-LEDDC1203M	3m / 118"	
	Daisy Chain Power Cable 1.8 Meter (Hi-Volt)	200-480V	IL-LED-DC480	1.8m / 70"	
	Daisy Chain Power Cable 3 Meter (Hi-Volt)	200-480V	IL-LED-DC4803M	3m / 118"	
③	Cord Set for LEDs Daisy Chain Dimmer	N/A	IL-1Dim18	1.8m / 70"	
	Cord Set for LEDs Daisy Chain Dimmer	N/A	IL-1Dim3	3m / 118"	
④	Cord Set for LEDs (Fixture to Touch controller)	N/A	IL-1DimRJ9	3m / 10'	
	Cord Set for LEDs (Fixture to HASH controller)	N/A	IL-1DimRJ14	3m / 10'	
	Cord Set for LEDs (Original - Fixture to 2 Wire)	N/A	IL-1Dim	0.7m / 2.3'	

# PPFD MAP (530W)

IL-A166026-FSG-120

PPFD MAP iL1 530W at 1.5ft

164	281	451	610	614	460	290	172
212	378	634	883	888	645	389	221
249	452	769	1077	1083	781	464	259
269	489	833	1165	1171	847	503	279
269	489	833	1165	1171	847	503	279
250	452	769	1077	1083	782	464	259
213	379	636	884	889	645	389	221
166	282	453	611	614	460	289	172

PPFD MAP iL1 530W at 4ft

146	169	187	198	199	189	171	148
163	190	212	225	225	214	192	166
176	206	231	245	245	232	208	178
183	214	241	256	256	242	217	185
183	215	241	256	256	242	217	185
176	206	231	245	245	232	208	178
163	190	212	225	225	213	192	165
146	169	188	198	199	189	170	148

<b>Clearance</b>	1.5	ft
<b>Qty</b>	1	u
<b>Average PPFD</b>	562.14	µmol/m2/s
<b>Max PPFD</b>	1171	µmol/m2/s
<b>Min PPFD</b>	164	µmol/m2/s
<b>Median PPFD</b>	476.5	µmol/m2/s
<b>Min/Average</b>	29.17	%
<b>Watts</b>	557.7	W

<b>Clearance</b>	4	ft
<b>Qty</b>	1	u
<b>Average PPFD</b>	203.39	µmol/m2/s
<b>Max PPFD</b>	256	µmol/m2/s
<b>Min PPFD</b>	146	µmol/m2/s
<b>Median PPFD</b>	202.5	µmol/m2/s
<b>Min/Average</b>	71.78	%
<b>Watts</b>	557.7	W

Legend

>=1000	762-1000	581-762	443-581	338-443	258-338	196-258	150-196	<150
--------	----------	---------	---------	---------	---------	---------	---------	------

Legend

>=1000	762-1000	581-762	443-581	338-443	258-338	196-258	150-196	<150
--------	----------	---------	---------	---------	---------	---------	---------	------

# PPFD MAP (660W)

IL-A153026-FSG-120

PPFD MAP iL1 660W at 1.5ft

200	344	561	760	760	561	344	200
243	428	713	980	980	713	428	243
274	486	809	1108	1108	810	486	274
293	518	859	1174	1174	859	518	293
301	531	878	1195	1195	878	531	301
299	529	875	1192	1192	875	529	299
288	512	852	1166	1166	852	512	288
265	474	796	1093	1093	796	474	265
229	411	693	956	956	693	411	229
183	321	533	731	731	533	321	183

PPFD MAP iL1 660W at 4ft

180	206	227	238	238	227	206	180
201	232	256	269	269	256	232	201
218	252	279	294	294	279	252	218
229	266	296	312	312	296	266	229
235	273	303	320	320	303	273	235
234	272	302	319	319	302	272	234
227	263	293	309	309	293	263	227
213	247	275	289	289	275	247	213
195	225	250	263	263	250	225	195
172	199	220	231	231	220	199	172

<b>Clearance</b>	1.5	ft
<b>Qty</b>	1	u
<b>Average PPFD</b>	626.34	µmol/m2/s
<b>Max PPFD</b>	1195	µmol/m2/s
<b>Min PPFD</b>	183	µmol/m2/s
<b>Median PPFD</b>	532	µmol/m2/s
<b>Min/Average</b>	29.22	%
<b>Watts</b>	661.2	W

<b>Clearance</b>	4	ft
<b>Qty</b>	1	u
<b>Average PPFD</b>	252.1	µmol/m2/s
<b>Max PPFD</b>	320	µmol/m2/s
<b>Min PPFD</b>	172	µmol/m2/s
<b>Median PPFD</b>	251	µmol/m2/s
<b>Min/Average</b>	68.23	%
<b>Watts</b>	661.2	W

Legend

>=1000	762-1000	581-762	443-581	338-443	258-338	196-258	150-196	<150
--------	----------	---------	---------	---------	---------	---------	---------	------

Legend

>=1000	762-1000	581-762	443-581	338-443	258-338	196-258	150-196	<150
--------	----------	---------	---------	---------	---------	---------	---------	------

# CAUTION

---

1. Leave at least one inch of space between the fixture and the mounting area for maximum performance and lifespan.
2. ALWAYS wear protective eyewear when looking directly at the diodes to prevent eye damage.
3. Only handle, clean or move fixture when it's unplugged and completely cool.
4. Keep the fixture free of dust, debris, deposits to ensure the maximum potential of the fixture.
5. NEVER use cloth to clean the diodes. This will scratch the diodes and could potentially break or dislodge them.
6. DO NOT use chemicals to clean the fixture. Use ONLY low pressure air or low pressure water to remove dust and debris.
7. Do NOT use sulfur vaporizers.

**5** YEAR  
WARRANTY

## GUARANTEE

At ILUMINAR, we stand behind our products and our technology as well as our customers. All ILUMINAR fixtures are backed by our 5-Year Guarantee. Please visit our website [iluminarlighting.com/warranty](http://iluminarlighting.com/warranty) for more information.