

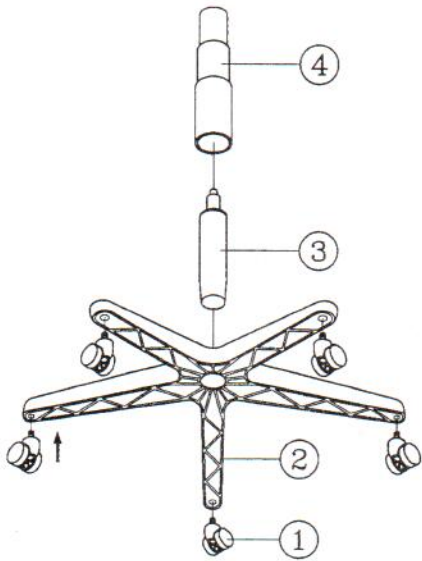
# ASSEMBLY INSTRUCTION

Remove all items from the carton . Verify all pieces before assembly.

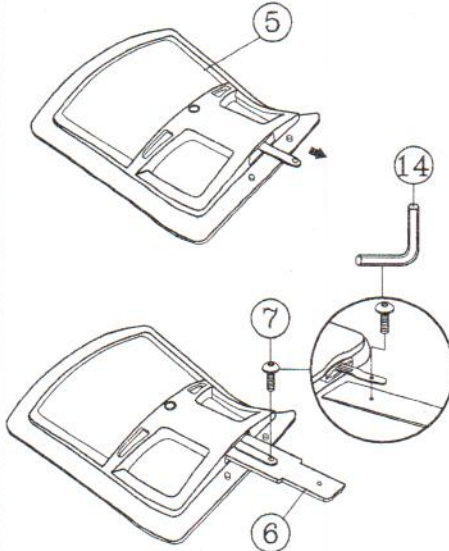
## PART LIST

KEY QTY	DESCRIPTION	KEY QTY	DESCRIPTION	KEY QTY	DESCRIPTION	
1	5	Caster	7	1	Backrest Screw	
2	1	Base	8	1	Seat	
3	1	Seat Post	9	1	Mechanism	
4	1	Seat Post Cover	10	6	Mechanism Screw	
5	1	Backrest	11	1	Backrest Tight Screw + Washers	
6	1	Backrest Post	12	1	Backrest Post Bellow	
				13	2	Backrest Post Bellow Screw
				14	1	M5.M6 Size Allen Wrench

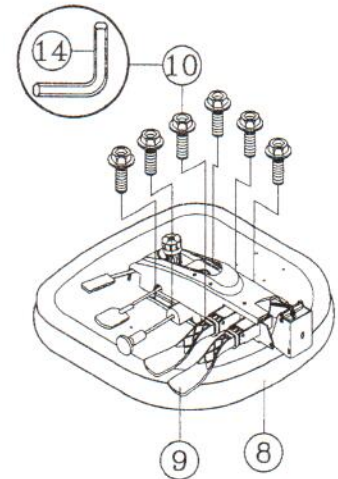
### STEP 1.



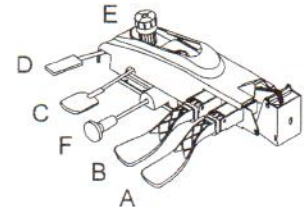
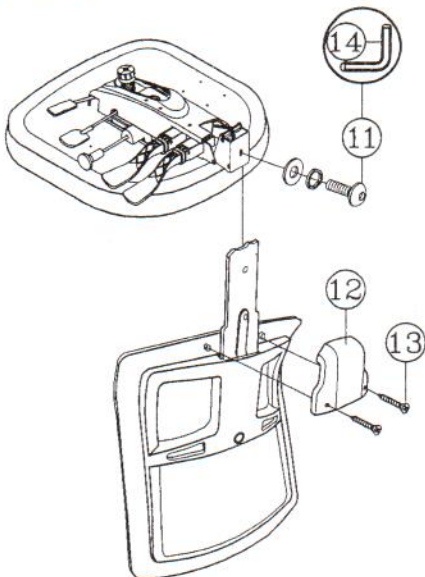
### STEP 2.



### STEP 3.



### STEP 4.



#### MECHANISM INSTRUCTIONS:

- (A) Back angle adjustment lever.
- (B) Combination seat / back angle adjustment lever with infinite lock.
- (C) Seat height adjustment lever.
- (D) Forward tilt lever  
\*While seated, lift lever B and then *leanback* to activate locking mechanism;  
\*Pull lever D backward to allow seat to tilt forward- or -push lever D forward to straighten seat;  
\*To lock in desired position, push lever B downward.
- (E) Tension control knob-Turn clockwise to increase tension and counter - clockwise to decrease tension.
- (F) Sliding seat:  
Seat depth adjusts for different user leg lengths.

#### PREVENTIVE MAINTENANCE AND WARNING!

- USE THIS PRODUCT ONLY FOR SEATING ONE PERSON AT A TIME.
- DO NOT USE THIS CHAIR AS A STEP STOOL / LADDER.
- DO NOT SIT ON ANY PART OF THE CHAIR EXCEPT THE SEAT.
- DO NOT USE CHAIR ON UNEVEN FLOOR SURFACES.
- DO NOT USE CHAIR UNLESS ALL BOLTS, SCREWS AND KNOBS ARE TIGHTENED.
- EVERY SIX MONTHS, PLEASE MAKE SURE ALL BOLTS, SCREWS AND KNOBS ARE FULLY TIGHTENED TO ENSURE STABILITY.
- IF ANY PARTS ARE MISSING, BROKEN, DAMAGED OR WORN, STOP USE OF THE PRODUCT UNTIL REPAIRS ARE MADE USING FACTORY AUTHORIZED PARTS.
- DISPOSE OF PACKAGING PROPERLY. PLASTIC BAG IS NOT A TOY. DO NOT USE PLASTIC BAG AS HEAD COVERING - IT MAY CAUSE SUFFOCATION.
- FAILURE TO FOLLOW THESE WARNINGS COULD RESULT IN SERIOUS INJURY.
- NOTE:SOME SCREWS MAY BE PREASSEMBLED.  
IF PREASSEMBLED, IGNORE ASSEMBLY INSTRUCTIONS.

SEVILLE H/B ■ SEVILLE M/B