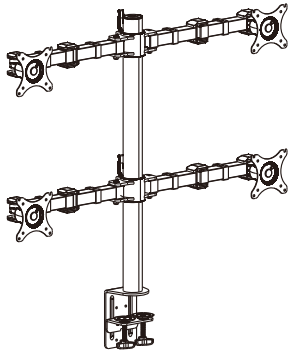


Item No.:RMA4 BL

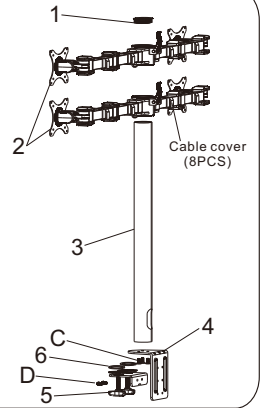
Installation guide



- M4x12MM A(16PCS) M5x12MM B(16PCS) M6x16MM C(3PCS) M6x10MM D(2PCS)

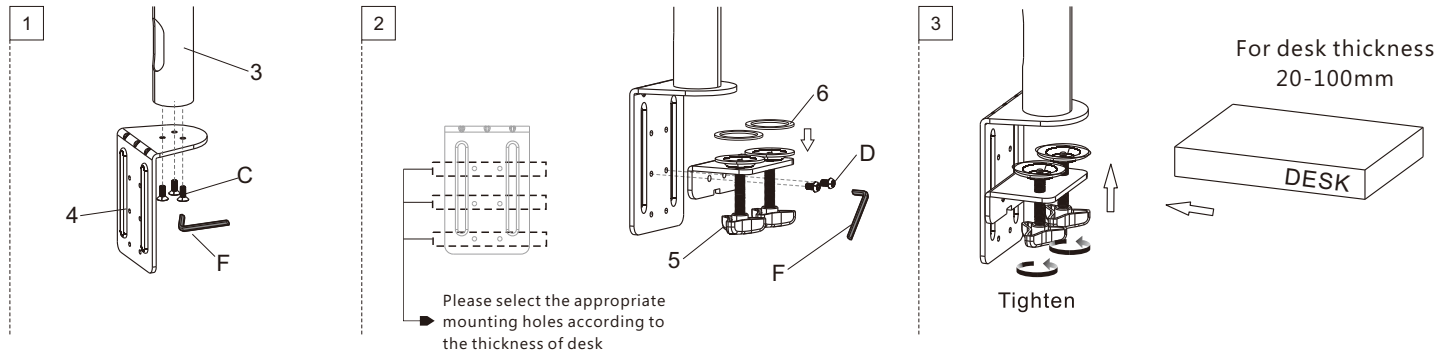
- φ6.5x13x2 E(32PCS) 4X4MM F(1PCS) 5X5MM G(1PCS)

1. Tube Cover (2PCS)
2. TV plate (2PCS)
3. Tube (1PCS)
4. Bottom support (1PCS)
5. Knob (1PCS)
6. Anti-slip rubber (2PCS)



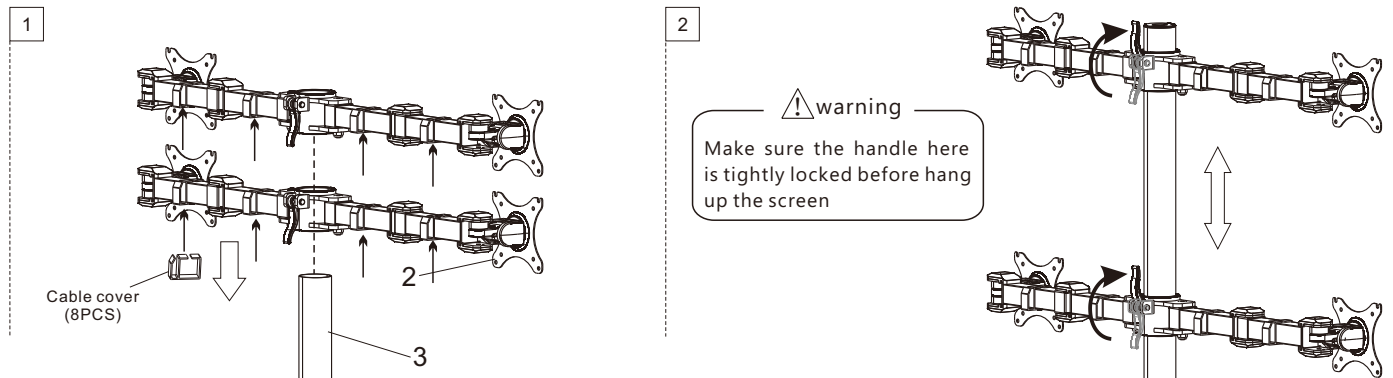
STEP 1

Fitting the bottom support on the desk



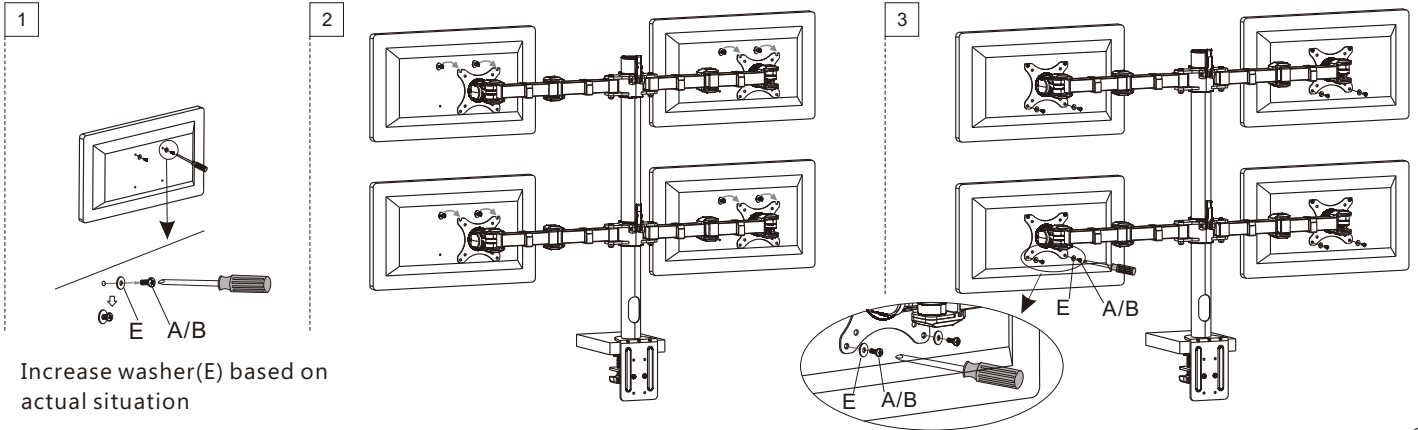
STEP 2

Install TV plate



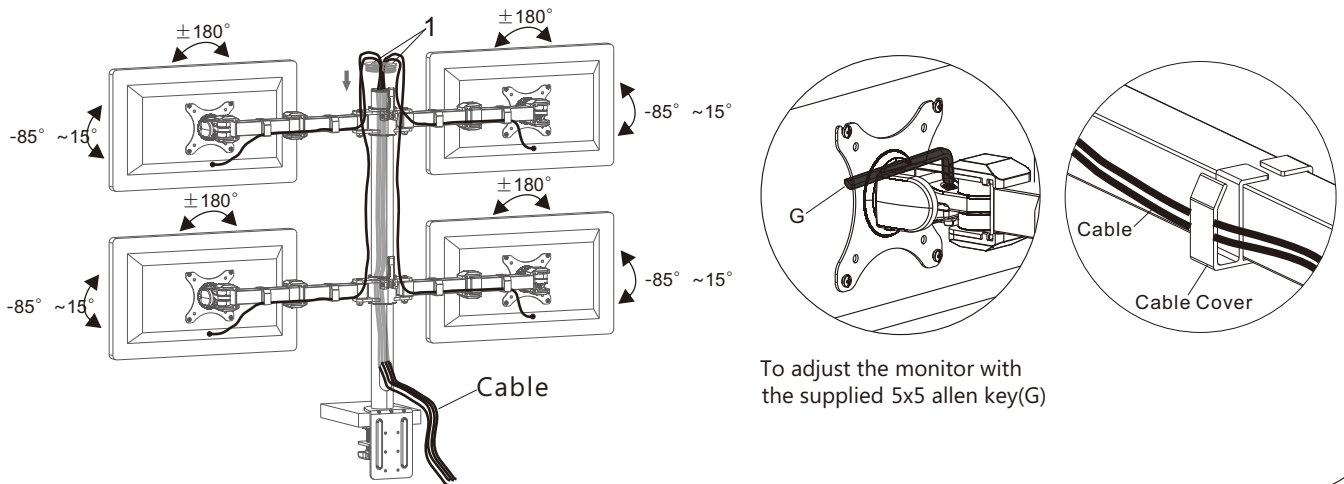
STEP 3

Attaching screen to TV plate



STEP 4

Adjusting screen



CAUTION

This product contains small items that could be a choking hazard if swallowed. Keep these items away from young children.

- Make Sure these instructions are read and completely understood before attempting installation. If you are unsure of any part of this installation, please contact a professional installer for assistance.
- The desk or mounting surface must be capable of supporting the combined weight of the mount and the display, otherwise the structure must be reinforced.
- please check joint parts every two months, making sure the screws are loosened or not.

This product was designed to be installed on desk. Before installing, make sure the mount will support the combined load of the equipment and hardware. Never exceed the maximum load capacity 10 KG, or else it may result in product failure or personal injury.

Note: this product is intended for indoor use only. Use of this product outdoors could lead to product failure or personal injury.