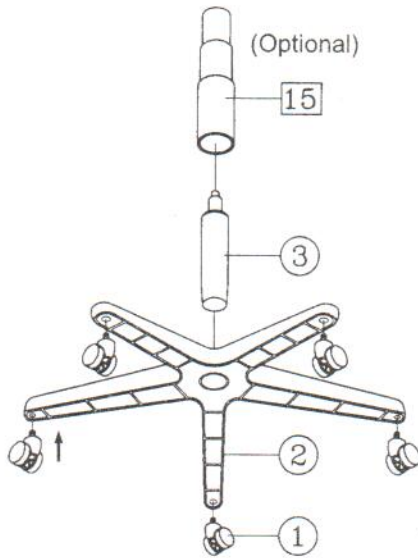


# ASSEMBLY INSTRUCTIONS

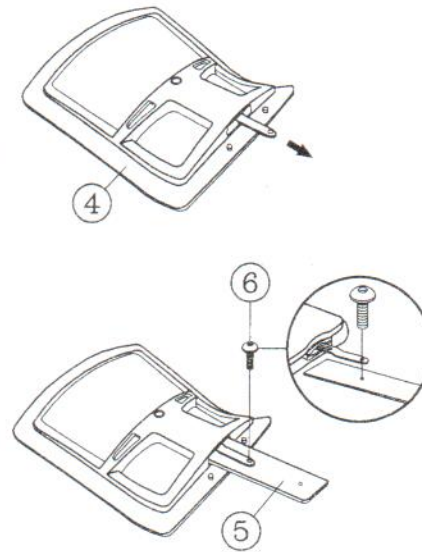
## PARTS LIST

KEY QTY DESCRIPTION	KEY QTY DESCRIPTION	KEY QTY DESCRIPTION
1 5 Caster	8 1 Mechanism	15 1 Seat Post Cover
2 1 Base	9 6 Mechanism Screw	<b>OPTIONAL (for chairs with arm only)</b>
3 1 Seat Post	10 1 Backrest Bolt+ Washers	16 2 Arm Bracket
4 1 Backrest	11 1 Back Post Bellow	17 8 Arm Bracket Screw
5 1 Backrest Post	12 2 Back Post Bellow Screw	18 2 Armrest
6 1 Backrest Post Screw	13 1 M5 Size Allen Wrench	19 2 Arm Width Adjustment Knob + Washers
7 1 Seat	14 1 M6 Size Allen Wrench	

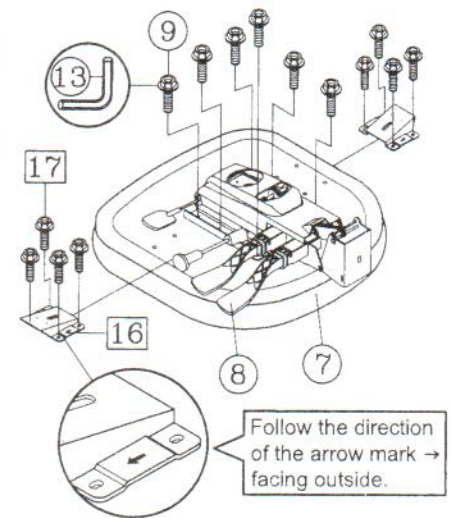
### STEP 1.



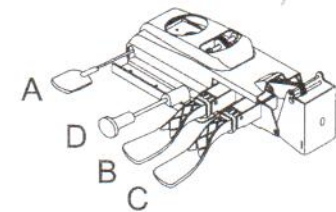
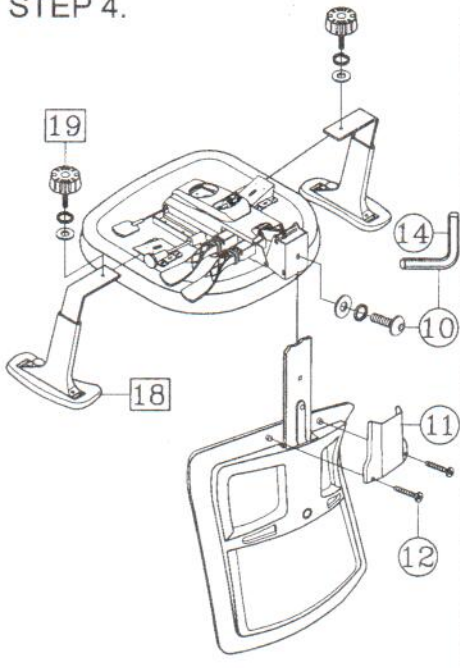
### STEP 2.



### STEP 3.



### STEP 4.



#### MECHANISM INSTRUCTIONS:

- A** Pneumatic seat height adjustment
- B** Seat angle adjustment :  
Seat angle adjusts independently with a single lever.
- C** Backrest angle adjustment :  
Back angle adjusts independently with a single lever.
- D** Sliding seat:  
It provides seat depth adjustment for different user leg lengths.

#### ATTENTION

1. THIS ASSEMBLY INSTRUCTION IS ONLY FOR ASSEMBLING THE CHAIR. THE CHAIR DRAWING MAY BE DIFFERENT FROM CHAIR APPEARANCE.
2. SOME SCREWS MAY PREASSEMBLED, ASSEMBLERS CAN IGNORE THE STEP.
3. REMOVE ALL ITEMS FROM THE CARTON. VERIFY ALL PIECES BEFORE ASSEMBLY.

#### PREVENTIVE MAINTENANCE AND WARNING!

- IF ANY PARTS ARE MISSING, BROKEN, DAMAGED OR WORN, STOP USE OF THE PRODUCT UNTIL REPAIRS ARE MADE USING FACTORY AUTHORIZED PARTS.
- DISPOSE OF PACKAGING PROPERLY.
- FAILURE TO FOLLOW THESE WARNINGS COULD RESULT IN SERIOUS INJURY.
- EVERY SIX MONTHS, PLEASE MAKE SURE ALL BOLTS, SCREWS AND KNOBS ARE FULLY TIGHTENED TO ENSURE STABILITY.

MARID H/B / MARID M/B