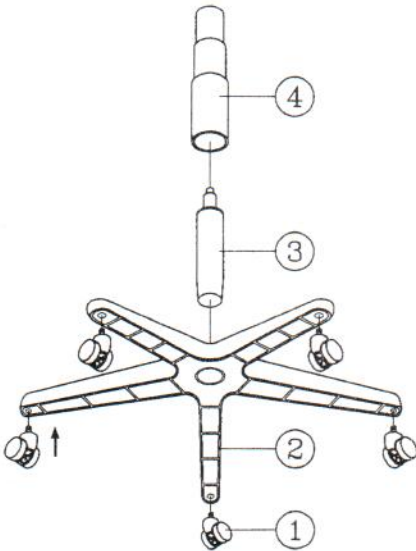


ASSEMBLY INSTRUCTIONS

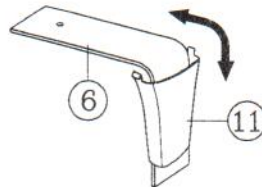
PARTS LIST

KEY	QTY	DESCRIPTION	KEY	QTY	DESCRIPTION	KEY	QTY	DESCRIPTION
1	5	Caster	6	1	Backrest Post	11	1	Back Post Bellow
2	1	Base	7	1	Backrest Post Screw	12	3	Back Tight Bolt + Washer
3	1	Seat Post	8	1	Seat	13	1	M5 Size Allen Wrench
4	1	Seat Post Cover	9	1	Mechanism			
5	1	Backrest	10	6	Mechanism Screw			

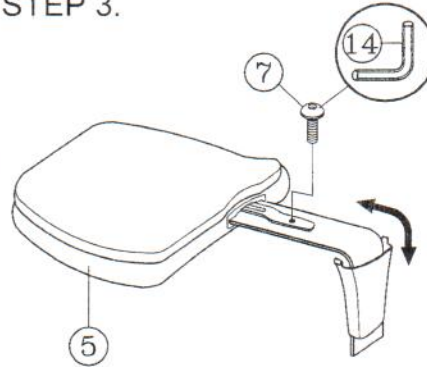
STEP 1.



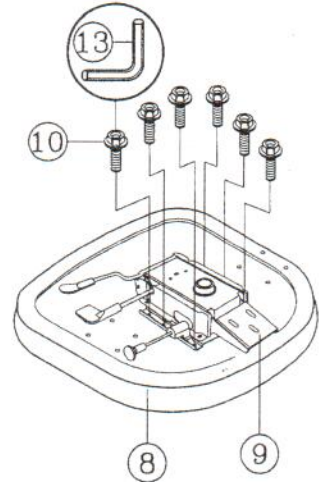
STEP 2.



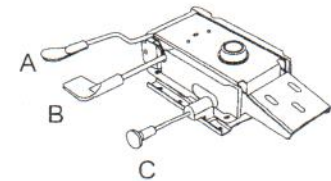
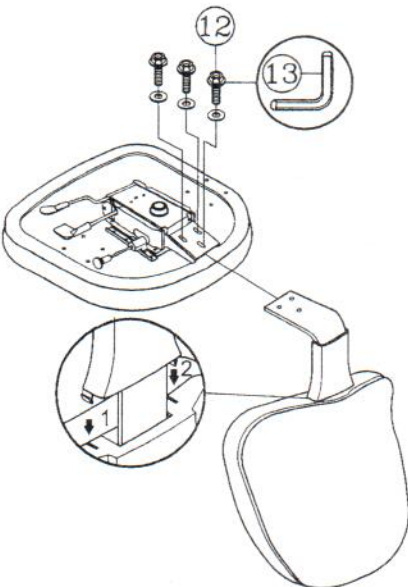
STEP 3.



STEP 4.



STEP 5.



MECHANISM INSTRUCTIONS :

- (A) Pneumatic seat height adjustment
- (B) **Seat & Back angle adjustment :**
Synchronised seat and back angle with 4 locking positions.
Body weight tension adjustment.
- (C) Pull handle bar out, allows seat to slide forward and backward.
Release handle bar to lock desired seat position.

ATTENTION

1. THIS ASSEMBLY INSTRUCTION IS ONLY FOR ASSEMBLING THE CHAIR. THE CHAIR DRAWING MAY BE DIFFERENT FROM CHAIR APPEARANCE.
2. SOME SCREWS MAY PREASSEMBLED , ASSEMBLERS CAN IGNORE THE STEP.
3. REMOVE ALL ITEMS FROM THE CARTON. VERIFY ALL PIECES BEFORE ASSEMBLY.

PREVENTIVE MAINTENANCE AND WARNING!

- IF ANY PARTS ARE MISSING, BROKEN, DAMAGED OR WORN, STOP USE OF THE PRODUCT UNTIL REPAIRS ARE MADE USING FACTORY AUTHORIZED PARTS.
- DISPOSE OF PACKAGING PROPERLY.
- FAILURE TO FOLLOW THESE WARNINGS COULD RESULT IN SERIOUS INJURY.
- **EVERY SIX MONTHS, PLEASE MAKE SURE ALL BOLTS, SCREWS AND KNOBS ARE FULLY TIGHTENED TO ENSURE STABILITY.**

ERGO SYNCHRO