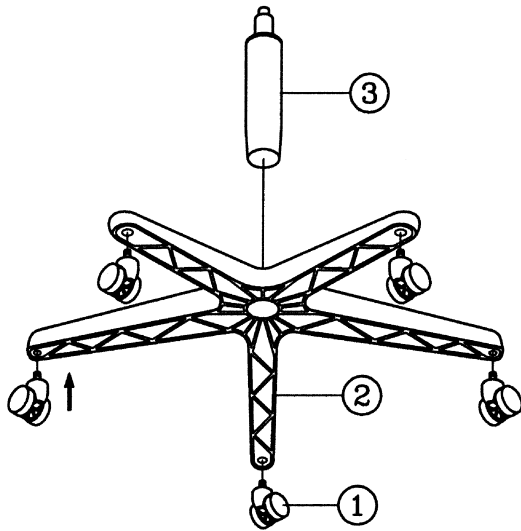


ASSEMBLY INSTRUCTION

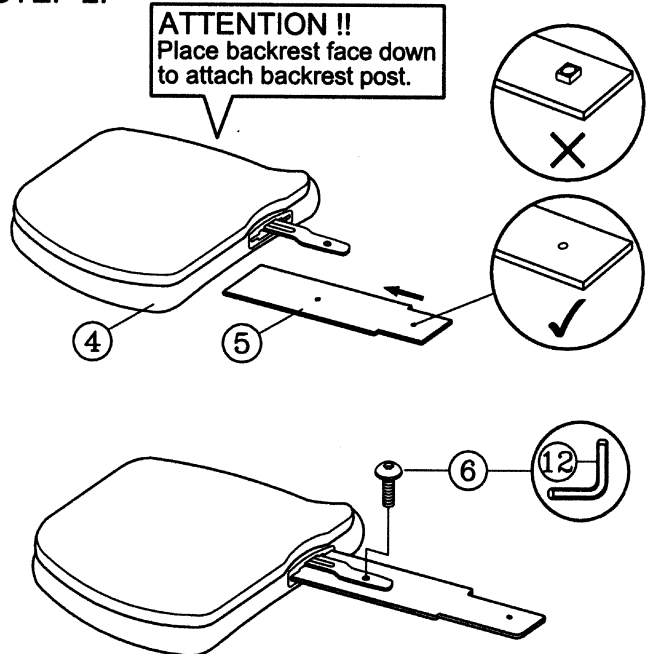
PART LIST

KEY QTY DESCRIPTION	KEY QTY DESCRIPTION	KEY QTY DESCRIPTION
1 5 Caster	6 1 Backrest Screw	11 1 Backrest Bolt + Washers
2 1 Base	7 1 Seat	12 1 Allen Wrench
3 1 Seat Post	8 1 Mechanism	
4 1 Backrest	9 6 Mechanism Screw	
5 1 Backrest Post	10 1 Back Post Bellow	

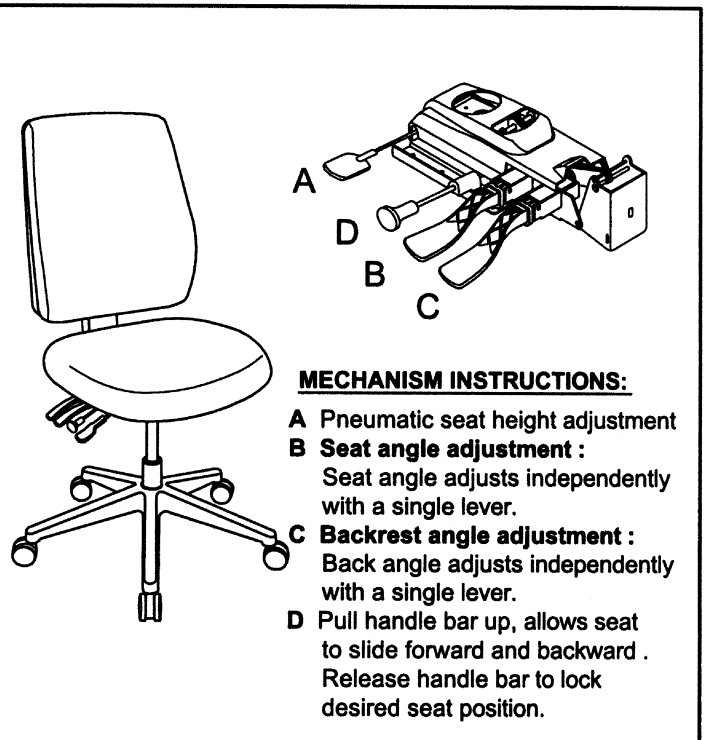
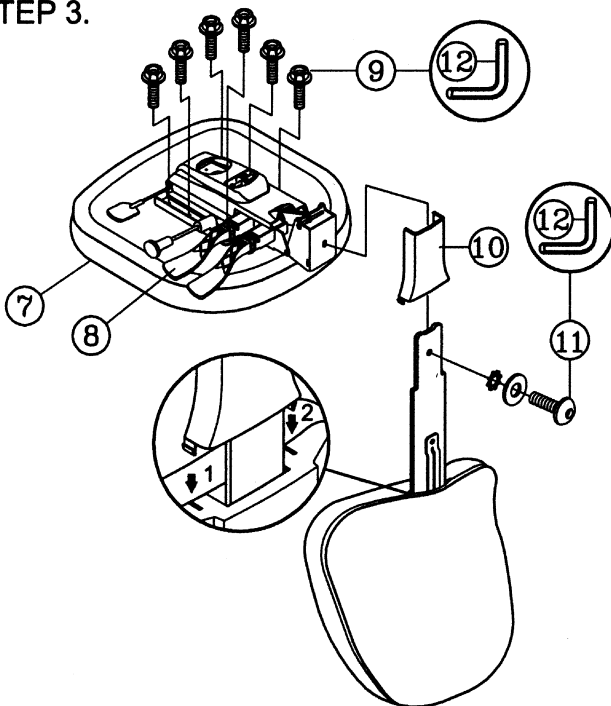
STEP 1.



STEP 2.



STEP 3.



ATTENTION

1. THIS ASSEMBLY INSTRUCTION IS ONLY FOR ASSEMBLING THE CHAIR. THE CHAIR DRAWING MAY BE DIFFERENT FROM CHAIR APPEARANCE.
2. SOME SCREWS MAY PREASSEMBLED , ASSEMBLERS CAN IGNORE THE STEP.
3. REMOVE ALL ITEMS FROM THE CARTON. VERIFY ALL PIECES BEFORE ASSEMBLY.

PREVENTIVE MAINTENANCE AND WARNING!

- IF ANY PARTS ARE MISSING, BROKEN, DAMAGED OR WORN, STOP USE OF THE PRODUCT UNTIL REPAIRS ARE MADE USING FACTORY AUTHORIZED PARTS.
- DISPOSE OF PACKAGING PROPERLY.
- FAILURE TO FOLLOW THESE WARNINGS COULD RESULT IN SERIOUS INJURY.
- EVERY SIX MONTHS, PLEASE MAKE SURE ALL BOLTS, SCREWS AND KNOBS ARE FULLY TIGHTENED TO ENSURE STABILITY.

ERGOFORM / ERGOFORM (NF)