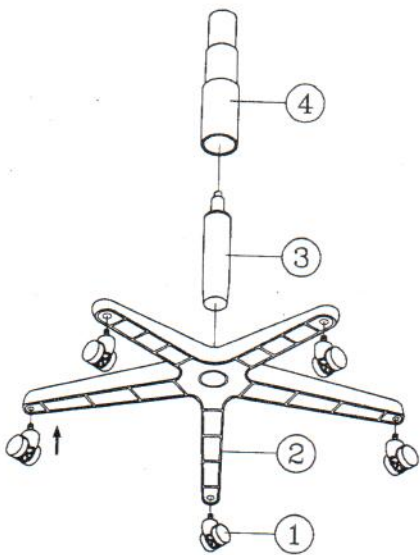


# ASSEMBLY INSTRUCTIONS

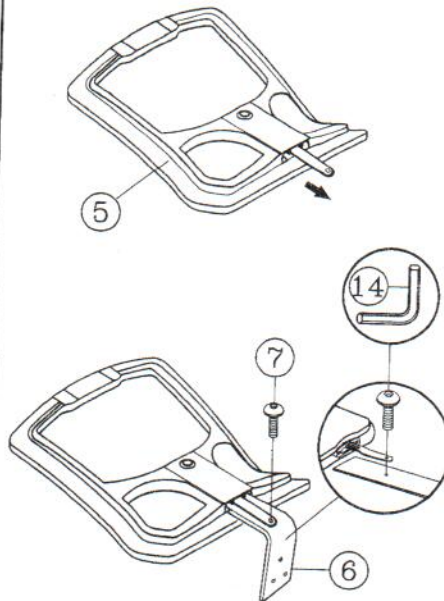
## PARTS LIST

KEY	QTY	DESCRIPTION	KEY	QTY	DESCRIPTION	KEY	QTY	DESCRIPTION
1	5	Caster	6	1	Backrest Post	11	1	Back Post Bellow
2	1	Base	7	1	Backrest Post Screw	12	2	Back Post Bellow Screw
3	1	Seat Post	8	1	Seat	13	3	Back Tight Bolt + Washer
4	1	Seat Post Cover	9	1	Mechanism	14	1	M5 Size Allen Wrench
5	1	Backrest	10	6	Mechanism Screw			

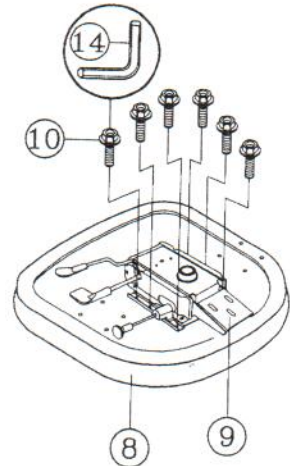
### STEP 1.



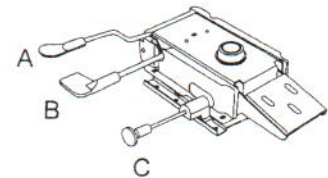
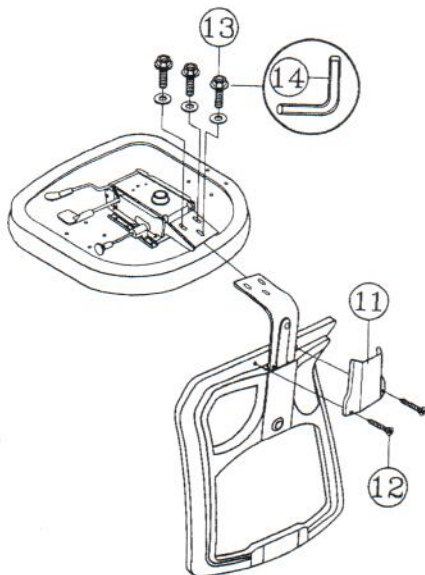
### STEP 2.



### STEP 3.



### STEP 4.



#### MECHANISM INSTRUCTIONS :

- (A) Pneumatic seat height adjustment
- (B) **Seat & Back angle adjustment :**  
Synchronised seat and back angle with 4 locking positions.  
Body weight tension adjustment.
- (C) Pull handle bar out, allows seat to slide forward and backward.  
Release handle bar to lock desired seat position.

#### ATTENTION

1. THIS ASSEMBLY INSTRUCTION IS ONLY FOR ASSEMBLING THE CHAIR. THE CHAIR DRAWING MAY BE DIFFERENT FROM CHAIR APPEARANCE.
2. SOME SCREWS MAY PREASSEMBLED , ASSEMBLERS CAN IGNORE THE STEP.
3. REMOVE ALL ITEMS FROM THE CARTON. VERIFY ALL PIECES BEFORE ASSEMBLY.

#### PREVENTIVE MAINTENANCE AND WARNING!

- IF ANY PARTS ARE MISSING, BROKEN, DAMAGED OR WORN, STOP USE OF THE PRODUCT UNTIL REPAIRS ARE MADE USING FACTORY AUTHORIZED PARTS.
- DISPOSE OF PACKAGING PROPERLY.
- FAILURE TO FOLLOW THESE WARNINGS COULD RESULT IN SERIOUS INJURY.
- EVERY SIX MONTHS, PLEASE MAKE SURE ALL BOLTS, SCREWS AND KNOBS ARE FULLY TIGHTENED TO ENSURE STABILITY.

ASPIRE MESH H/B. ASPIRE MESH M/B. ASPIRE FABRIC H/B. ASPIRE FABRIC M/B.  
MESH MIRAE SYNCHRO. SIENA SYNCHRO