


















electric height adjustable desk



ASSEMBLY & USE INSTRUCTIONS

CAUTION / INFORMATION

	Make sure no obstacles are in the desk's path. Make sure the desktop is not touching any walls. Make sure all cords are appropriate length to accommodate the change in height.			WARNING Pinch Point Keep hands and fingers clear.
	Keep children away from electric height-adjustable desks, control units and handsets. There is a risk of injury and electric shock.			
	Keep all electrical components away from liquids.			
	Do not sit or stand on the desk frame. Do not crawl or lie under the desk frame.			
	Do not place any objects taller than 20" underneath the desk.			
	Do not open any of the components - the Legs, Control Box, or Switch. There is a danger of electric shock.			
	This product is designed with a duty cycle of 10% (2 min. on, 18 min. off).			
	In the event of a power outage or if the power cord is unplugged, a manual reset may be necessary - see USE section.			

USE / LIABILITY

This height adjustable desk has electric motors and is designed for use in dry work areas only.

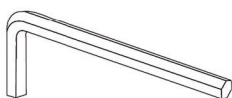
The desk height is adjustable so that it can be positioned at the most ergonomically suitable height.

Any other use is at user's risk.

Under no circumstances does the manufacturer accept warranty claims or liability claims for damages caused from improper use or handling of the desk frame.

IMPORTANT:
Please read this manual carefully.
If this desk is sold, please provide this manual to the buyer.

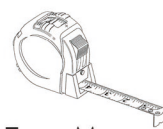
TOOLS



4mm Allen Wrench (included)

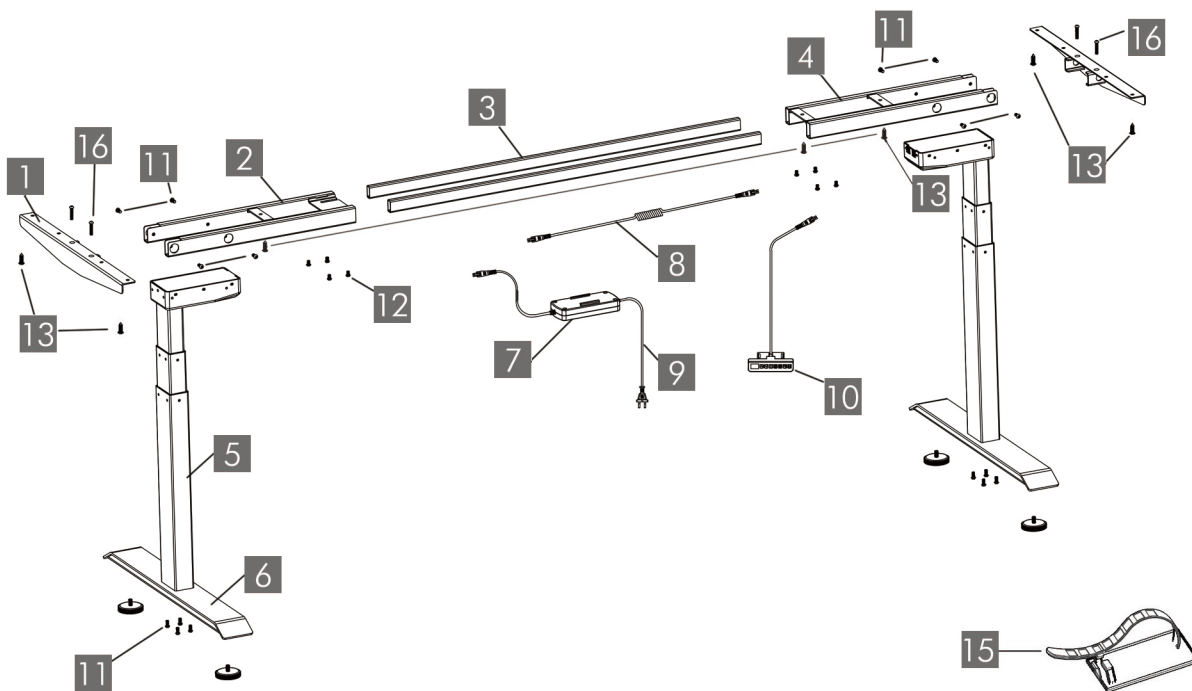


Phillips Head Screwdriver
and/or Power Drill



Tape Measure

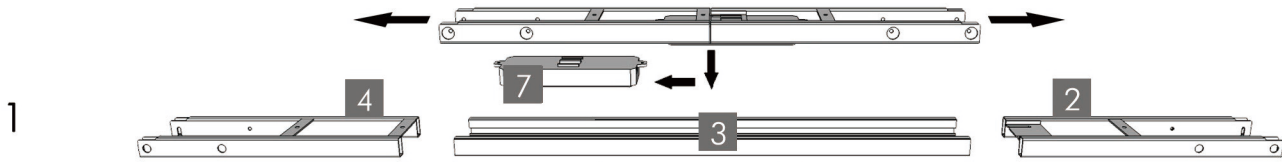
PARTS LIST



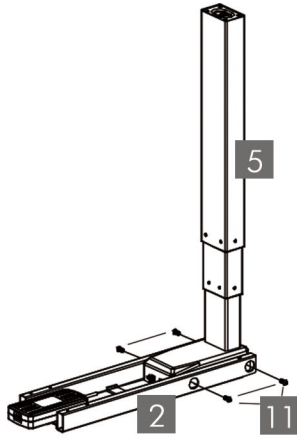
Part	Qty
1 Side Bracket	2
2 Frame End-CB	1
3 Center Rail	2
4 Frame End	1
5 Leg	2

Part	Qty
6 Foot	2
7 Power adaptor	1
8 Cable	1
9 Power Cord	1
10 Handset	1

Part	Qty
11 M6×14 Machine Screw	16
12 M6×10 Machine Screw	8
13 ST5×20 Wood Screw	7
14 ST5×16 Wood Screw	2
15 Cable Clip	10
16 M6x35 Machine Screw	4



1 Lay out all components and hardware to ensure that you have all the components and hardware listed on the parts page. Slide the Control Box (part 7) off the Frame End-CB (part 2) and set aside. Fully separate Frame End (part 4) from Frame End-CB (part 2). You will find the Center Rails (part 3) inside.



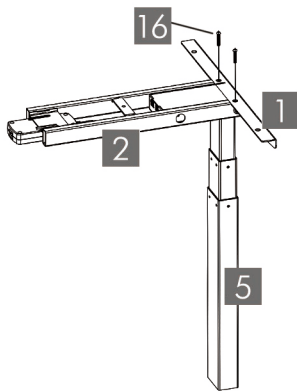
2 Place one of the Legs (part 5) into the Frame End-CB (part 2) ensuring that the bar (arrow) is on "top" in relation to the Leg (part 5).

Line up the holes on the Leg (part 5) with the holes on the Frame End-CB (part 2).

Using the supplied Allen Wrench, insert four (4) M6x14 Machine Screws (part 11) through the holes in the Frame End-CB (part 2), going into the Leg (part 5) and rotate each screw just a few turns. After all four (4) M6x14 Machine Screws (part 11) are inserted, tighten all four (4) screws.

Do the same for the other Leg (part 5) and the Frame End (part 4).

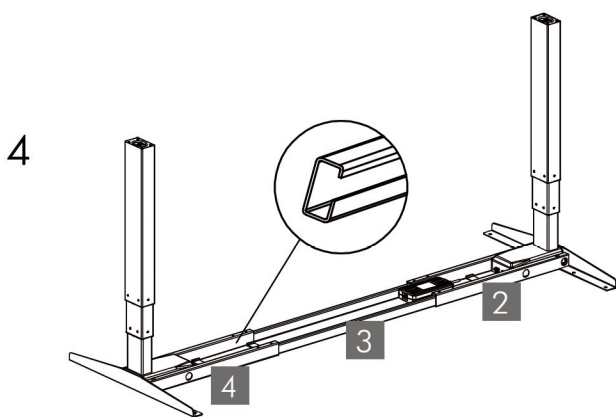
i if you drop a screw inside the frame end, simply tilt to retrieve. **i**



3 The Frame End-CB (part 2) should be placed on the side of the desk where you plan to mount the Power adaptor (part 7) and the Handset (part 10).

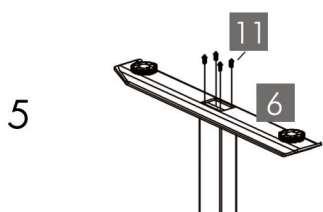
Insert two (2) M6x35mm Machine Screws through the two(2) holes on the top of the frame end

Do the same for the other frame end/leg assembly.



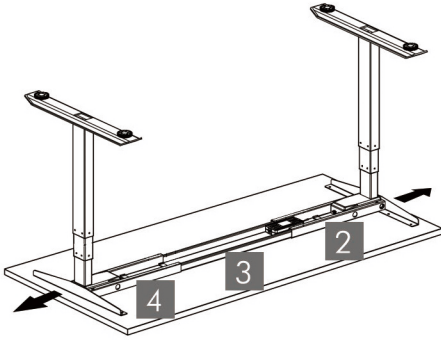
4 Slide the two (2) Center Rails (part 3) into the two Frame Ends (parts 2 & 4) ensuring:

- a) the slots in the Center Rails (part 3) face inward
- b) the slots in the Center Rails (part 3) are closer to the top edge when the assembly is upside down (see inset).



5 For each leg assembly, attach a Foot (part 6) with four (4) M6x14 Machine Screws (part 11) and tighten in a cross-pattern.

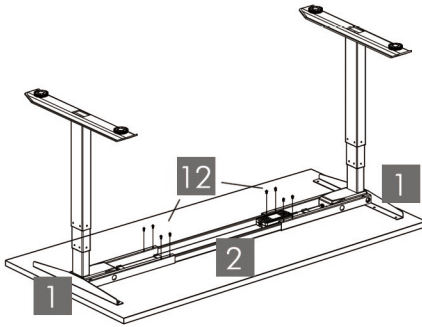
6



Your desktop may or may not be pre-drilled. Check both sides of the desktop before placing the desk base on the underside of the desktop.

Adjust the width of the desk base to fit the desktop by sliding the two halves outward. We recommend leaving at least 1/2" of the desktop width (on each end) protruding beyond the frame width and centering the Side Brackets (part 1) fore and aft.

7



If the desktop is pre-drilled, perform Step 8 before Step 7.

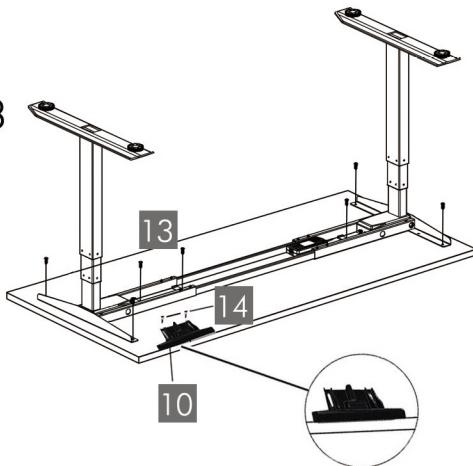
If the desktop is not pre-drilled, lock the position of the Center Rails (part 3) using eight (8) M6x10 Machine Screws (part 12).

⚠ Ensure that the M6x10 Machine Screws (part 12) contacts the Center Rails (part 3) by sliding the Center Rails (part 3) as needed. **⚠**

⚠ Double-check that the wood screws are not too long for your desktop and won't puncture the surface when screwed all the way in. **⚠**

i We recommend that you pre-drill any holes needed for fasteners if your desktop is not pre-drilled. Never use countersunk screws. **i**

8



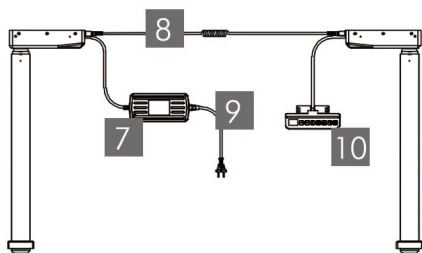
Double-check that the desk base is properly positioned on the underside of the desktop.

Attach the desk base to the underside of the desktop using seven (7) ST5x20 Wood Screws (part 13).

Attach the Handset (part 10) so the front of the handset is flush with the front desktop edge (or recessed up to 1/8"). The handset may be placed anywhere along the front edge of the desktop but we recommend placing it toward an end so it does not interfere with your chair when seated. Use two (2) ST5x16 Wood Screws (part 14) to attach the handset to the desktop.

⚠ Do not overtighten screws in this step. **⚠**
Overtightening could cause damage to the components. **⚠**

9



Slide the (part 7) onto the Frame End-CB (part 2).

Connect the cable exiting the Leg (part 5) that is attached to the Frame End-CB (part 2) directly into the Power adaptor (part 7).

Connect the Cable (part 8) to the other Leg (part 5) and to the Power adaptor (part 7).

Connect the Handset (part 10) cable to the Power adaptor (part 7).



Connect the Power Cord (part 9) to the Power adaptor (part 7).

Use the adhesive-backed Cable Clips (part 15) to secure the cables so they do not sag.

ASSEMBLY

- 10 Turn the assembled desk right-side up. With at least two people, grab the DESK BASE (not the desktop) and turn the desk right-side up. Adjust the pre-installed glides on the Feet (part 6) as needed.

USE

 Make sure no obstacles are in the desk's path.  Make sure the desktop is not touching any walls.
Make sure all cords are appropriate length to accommodate the change in height.

IMPORTANT: You must RESET the desk prior to use.

RESET PROCEDURE: Press and hold the DOWN button on the Handset (part 10) until the desk reaches its lowest height. Release the DOWN button. Press and hold the DOWN button again until the LED display reads "RST" or about 10 seconds on non-LED handset models. Release the DOWN button. Press and hold the DOWN button again until the desk lowers a little bit more, slightly rises and stops. Release the DOWN button. Your desk is now ready to use.

The desk base can be adjusted by pressing and holding either the UP or DOWN button until the desired height is reached.

To program up to four presets (on some models): Use the up/down buttons to find a desired height, then press "M" followed by a number 1 - 4.

CAUTION: Once a preset button is pushed, the desk will move to the programmed height (see caution box above).

TROUBLE SHOOTING

If your desk is not functioning properly it may need to be reset. Follow the RESET procedure outlined in the USE section.

If your desk has a handset with an LED readout and it displays "RST" (reset), perform the reset procedure outlined in the USE section.

If the LED readout displays an error message ("Er1" - "Er13") confirm that all wired connections are secure (legs to cables, cables to control box). Then perform the reset procedure outlined in the USE section.

If the error message persists after the reset procedure, contact your seller.

If the height between the legs exceeds 1.5 inches, stop the reset procedure & contact your seller.

If the handset displays "HOT", let the base cool down for 20 minutes.

SPECIFICATIONS

Height Range	23.5" - 49" (without desktop)
Base Width	42" min. - 74" max.
Travel Speed	1.5" per second (no load)
Load Capacity	1000N
Duty Cycle	10%. Max. 2 mins on, 18 mins off
	Soft start/stop
	Adjustable leveling studs
	4 Memory presets (some models)