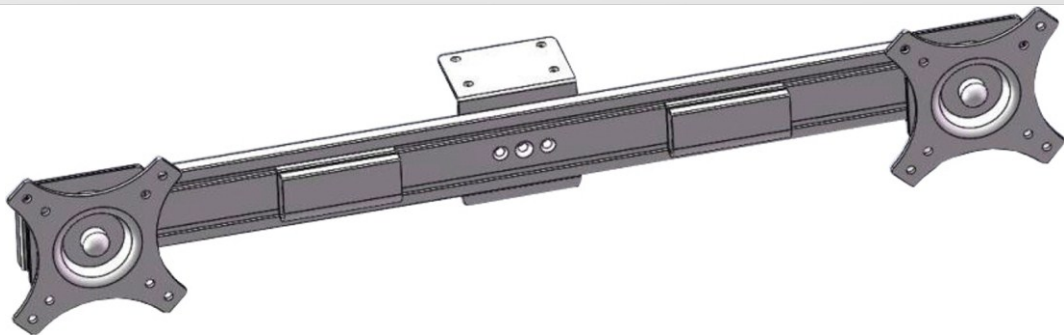
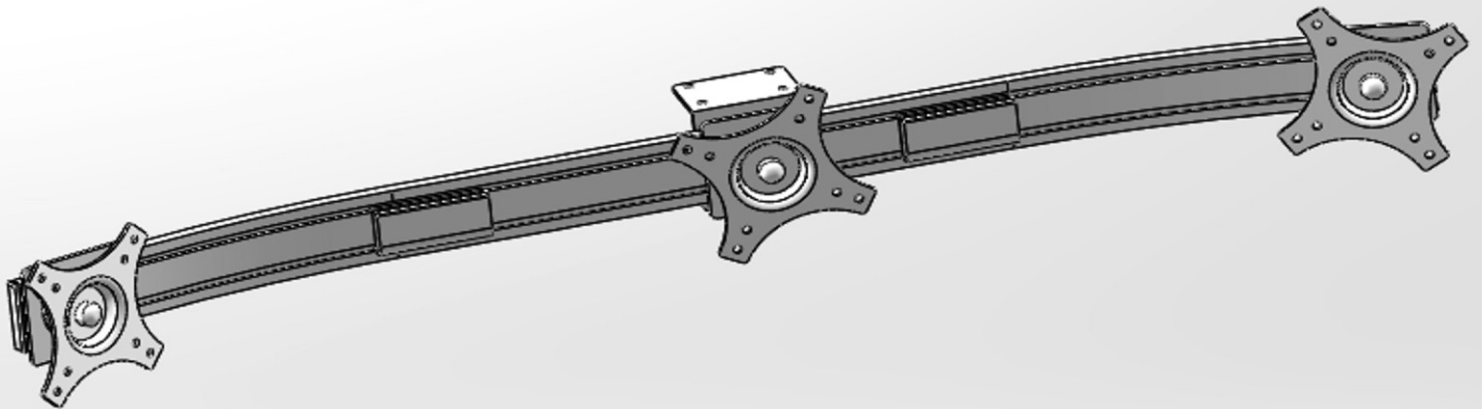


STANDESK

2 MONITOR BRACKET

3 MONITOR BRACKET CURVED



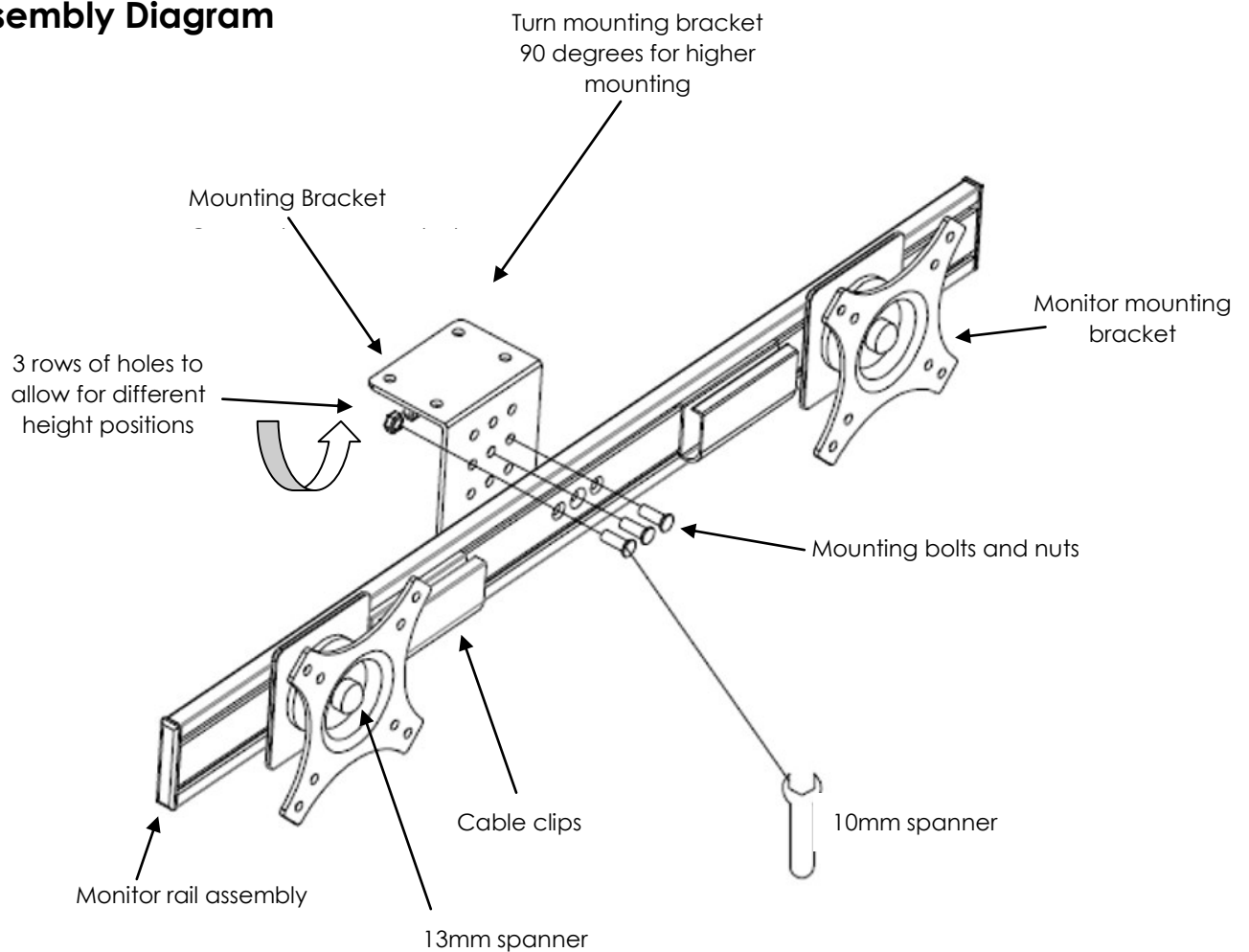
Assembly Instructions

MODEL STANDESK 2 MONITOR BRACKET

STANDESK 3 MONITOR BRACKET CURVED

ASSEMBLY APPLIES FOR BOTH THE 2 MONITOR AND 3 MONITOR CURVED BRACKETS

1. Assembly Diagram



2. Packing list

1.	Mounting Bracket	1PC
2.	Monitor rail assembly	1PC
3.	M6×18 Screw	3PCS
4.	M6 nut	3PCS
5.	4mm x 4mm Allen key	1PC
6.	10mm spanner	1PC
7.	13mm spanner	1PC

3、 How to assemble the 2 and 3 Monitor Bracket and Rail assembly

Assemble the mounting bracket to the top of the adjustment column.

Tool: Allen key 4mm; Parts: M6X10, 4PCS,

Fasten the Monitor Rail Assembly

Tool: 10mm Spanner + Allen key 4mm Parts: M6x18 Screw 3PCS; M6 Nut 3PCS.

The Standesk 2 & 3 Monitor Bracket allows for 6 different height settings based on the user's preference.

4. Adjusting the Monitor Height

The 'L' Mounting Bracket can be mounted with the 3 sets of holes pointing down for a lower height monitor, or it can be mounted up allowing for a higher monitor height. The Mounting Bracket can be set at 6 different heights to suit the user's preference.

