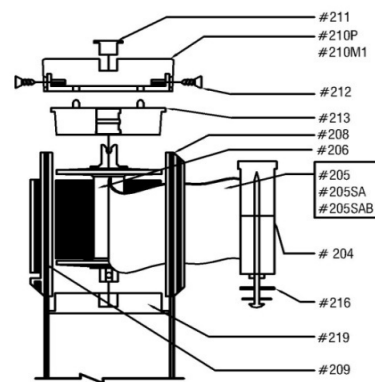


## Retracta-Belt Replacement Parts

### Model 300 Retracta-Belt Replacement Parts

Part Name	Model #	List
Belt End with Screw & Lock Clip	204	\$11.50
Belt - 10' Length <small>See Notes 4-5</small>	205-10	\$21.00
7'6" Belt on Spool w/ Belt Guide <small>See Notes 1-5</small>	205SA	\$28.75
10' Belt on Spool w/ Belt Guide <small>See Notes 1-5</small>	205SA-10	\$31.25
10' Belt on Spool w/ Belt Guide & Belt End <small>See Notes 1-5</small>	206	\$41.25
Spool <small>See Notes 1-3</small>	208	\$11.00
Belt Guide	209	\$7.40
Belt Clip (Price is per piece - 3 Required)	210P	\$7.40
Plastic Post Cap with (2) Cap Screws & Plug		\$17.00
Metal Post Cap with (2) Cap Screws & Plug	210-M1	\$30.00
Metal Post Cap with Plug (factory-applied to new posts)	SUB-210-M1	\$30.00
Plug	211	\$2.00
Screws for Plastic Post Cap (Price is per piece - 2 Required)	212	\$0.70
Screws for Metal Post Cap (Price is per piece - 2 Required)	212M	\$0.70
Spring Case Assembly <small>See Notes 1-3,5</small>	213	\$33.00
Lock Clip	216	\$3.75
Brake Assembly	219	\$25.50
Complete Replacement Assembly - 10' <small>See Notes 4-6</small>	229-10	\$62.50



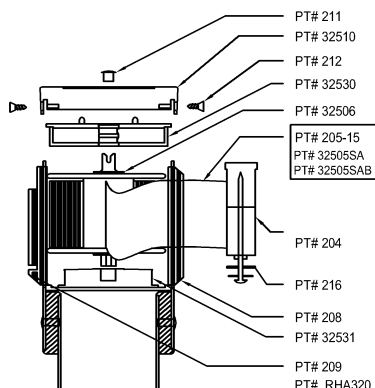
MODEL 300

### MODEL SPECIFIC NOTES:

- 1) We have improved our Spool/Spring connection design to provide a more reliable product, some parts are no longer compatible with the new design. Follow the rules below or view our flyer online to understand the difference.
- 2) **New** hexagonal shaped **Spools** (2008-present) **ONLY** work with **new** hexagonal shaped **Springs** so a replacement spool also needs a replacement spring.
- 3) **New** hexagonal shaped **Springs** (2008-present) work with **ALL** round and hexagonal shaped **Spools**.
- 4) Specify belt color when ordering. See pg. 5 for belt options.
- 5) All 7' 6" and 10' replacement parts are the same except the belt length. A customer CANNOT use an old 7'6" spring with a 10' belt, but a customer CAN use a new spring with a new or old 7'6" belt.
- 6) **229** includes all parts except **210, 211, & 212**.

### Model 320 Retracta-Belt Replacement Parts

Part Name	Model #	List
Belt End with Screw & Lock Clip	204	\$11.50
Belt - 15' Length <small>See Note 10</small>	205-15	\$30.00
Belt Guide	208	\$7.40
Belt Clip (Price is per piece - 3 Required)	209	\$7.40
Post Cap Plug	211	\$2.00
Post Cap Screws (Price is per piece - 2 Required)	212	\$0.70
Belt End Lock Clip	216	\$3.75
Spool <small>See Notes 7-9</small>	32506	\$12.50
Plastic Post Cap with (2) Cap Screws & Plug	32510P	\$19.50
Metal Post Cap with (2) Cap Screws & Plug	32510M	\$63.00
Metal Post Cap with Plug (factory-applied to new posts)	SUB-32510M	\$63.00
Spring Case Assembly <small>See Notes 7-9</small>	32530	\$35.00
Brake Assembly with Adapter	32531	\$29.75
Belt wound on Spool w/ Belt Guide - 15' <small>See Notes 7-10</small>	32505SA	\$40.00
Belt wound on Spool w/ Belt Guide & Belt End - 15' <small>Notes 7-10</small>	32505SAB	\$49.25
Complete Replacement Assembly - 15' <small>See Notes 10-11</small>	RA320	\$100.00



MODEL 320

### MODEL SPECIFIC NOTES:

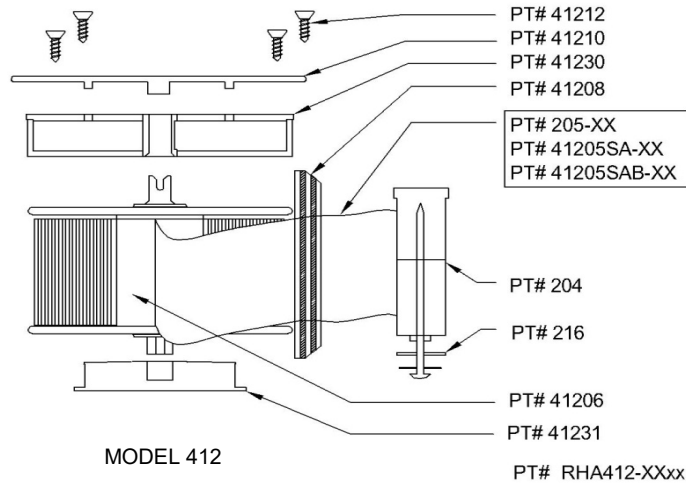
- 7) We have improved our Spool/Spring connection design to provide a more reliable product, some parts are no longer compatible with the new design. Follow the rules below or view our flyer online to understand the difference.
- 8) **New** hexagonal shaped **Spools** (2008-present) **ONLY** work with **new** hexagonal shaped **Springs** so a replacement spool also needs a replacement spring.
- 9) **New** hexagonal shaped **Springs** (2008-present) work with **ALL** round and hexagonal shaped **Spools**.
- 10) Specify belt color when ordering. See pg. 5 for options.
- 11) **RA320** includes all parts except **211, 212 & 32510P**.



Advanced Stanchions, Inc.

Phone: 844-831-8400 | info@advancedstanchions.com

## Retracta-Belt Replacement Parts



MODEL 412

PT# RHA412-XXxx

### Model 412 Retracta-Belt Replacement Parts

Part Name	Model #	List
Belt End with Screw & Lock Clip	204	\$11.50
Belt - 15' <small>See Note 4</small>	205-15	\$30.00
Belt - 20' <small>See Note 4</small>	205-20	\$41.75
Belt - 25' <small>See Note 4</small>	205-25	\$55.00
Belt - 30' <small>See Note 4</small>	205-30	\$66.00
Belt End Lock Clip	216	\$3.75
Belt wound on Spool - 15' <small>See Notes 1-4</small>	41205SA-15	\$45.75
Belt wound on Spool - 20' <small>See Notes 1-4</small>	41205SA-20	\$56.00
Belt wound on Spool - 25' <small>See Notes 1-4</small>	41205SA-25	\$66.00
Belt wound on Spool - 30' <small>See Notes 1-4</small>	41205SA-30	\$76.00
Belt wound on Spool w/ Belt End & Belt Guide - 15' <small>Notes 1-4</small>	41205SAB-15	\$55.00
Belt wound on Spool w/ Belt End & Belt Guide - 20' <small>Notes 1-4</small>	41205SAB-20	\$64.50
Belt wound on Spool w/ Belt End & Belt Guide - 25' <small>Notes 1-4</small>	41205SAB-25	\$75.00
Belt wound on Spool w/ Belt End & Belt Guide - 30' <small>Notes 1-4</small>	41205SAB-30	\$85.00
Spool <small>See Notes 1-3</small>	41206	\$12.50
Belt Guide	41208	\$14.75
Top Case Cap with (4) Cap Screws	41210	\$23.00
Top Cap Screws (4 Required) Priced per Screw	41212	\$0.75
Spring Case Assembly for 15' and 20' models <small>See Notes 1-3</small>	41230	\$57.50
Spring Case Assembly for 25' and 30' models <small>See Notes 1-3</small>	41230-1	\$57.50
Brake Assembly for 15' and 20' models (for polycarbonate body only) <small>See note 6</small>	41231-1	\$29.75
Brake Assembly for 25' and 30' models (for polycarbonate body only) <small>See note 6</small>	41231-2	\$29.75
Complete Replacement Assembly - 15' <small>See Notes 4-5</small>	RA412-15	\$69.00
Complete Replacement Assembly - 20' <small>See Notes 4-5</small>	RA412-20	\$87.00
Complete Replacement Assembly - 25' <small>See Notes 4-5</small>	RA412-25	\$111.00
Complete Replacement Assembly - 30' <small>See Notes 4-5</small>	RA412-30	\$129.00
412 Body - Black Polycarbonate (mounting plate sold separately)	412BODY-SB	\$34.00
412 Body - Yellow Polycarbonate (mounting plate sold separately)	412BODY-YW	\$34.00

#### MODEL SPECIFIC NOTES:

- 1) We have improved our Spool/Spring connection design to provide a more reliable product, some parts are no longer compatible with the new design. Follow the rules below or view our flyer online to understand the difference.
- 2) **New** hexagonal shaped **Spools** (2008-present) **ONLY** work with **new** hexagonal shaped **Spings** so a replacement spool also needs a replacement spring.
- 3) **New** hexagonal shaped **Spings** (2008-present) work with **ALL** round and hexagonal shaped **Spools**.
- 4) Specify belt color when ordering. See pg. 5 for options.
- 5) **RA412** includes all parts except **41212**, **41210** & **412BODY**.
- 6) Model 412 body and mount plates are made of high strength polycarbonate material as of 7/22/2009. Old metal bodies have a top cap and a bottom cap and require 8 cap screws total. New polycarbonate bodies require a top cap only with 4 cap screws.

