

Stainless Steel Outdoor Loop Post



Featured Product: Model ST620R-SS

Simple Design. Durable Construction.

- ▶ Fully customizable: choose from two or four loops, single or dual line, and five base options
- ▶ Superior welded construction to withstand busy environments and the outdoor elements
- ▶ Pair with your choice of chains or ropes
- ▶ Ideal for amusement parks and outdoor venues



Fully Welded Loop Construction



Chains, Snap Ends & Quick Links



Chains (from top): 1/8" Zinc Plated (lighter duty), 3/16" Polished Stainless Steel (heavy duty).

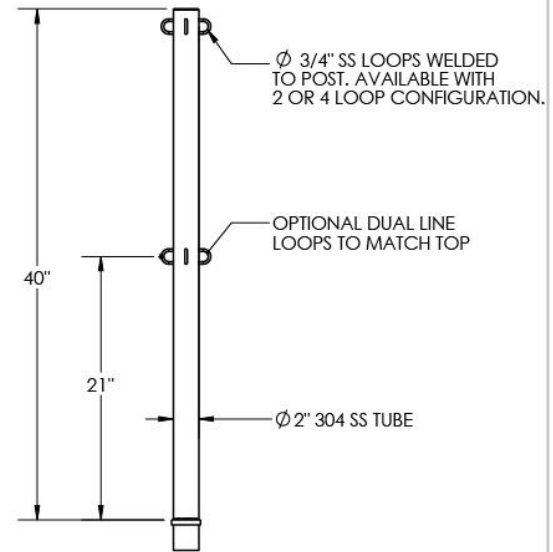


Snap Ends w/ Quick Links: Enables easy removal of chain. Stainless Steel.



Quick Links: Connect pre-cut chains to posts or walls easily.

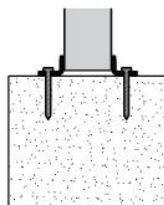
Specs	
Post Material	304 Alloy Stainless Steel
Post Diameter	2"
Overall Post Height	40"
Overall Weight	21 lbs.



Base Options for Loop Post

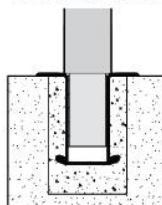
ST6__ F-SS

Fixed
(Permanent Post)

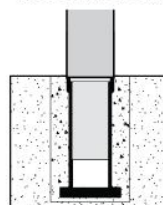


ST6__ R-SS

Removable
(Permanent Socket, Removable Post)

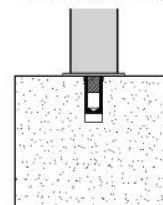


Slim Socket
(Permanent Socket, Removable Post)



ST6__ MS-SS

Mini Socket
(Permanent Socket, Removable Post)



ST6__ S-SS

Sloped Base
(Portable)

