



THE WORLD'S MOST ADVANCED OUTDOOR KITCHEN BUILDING SYSTEM

Profresco
OUTDOOR LIVING



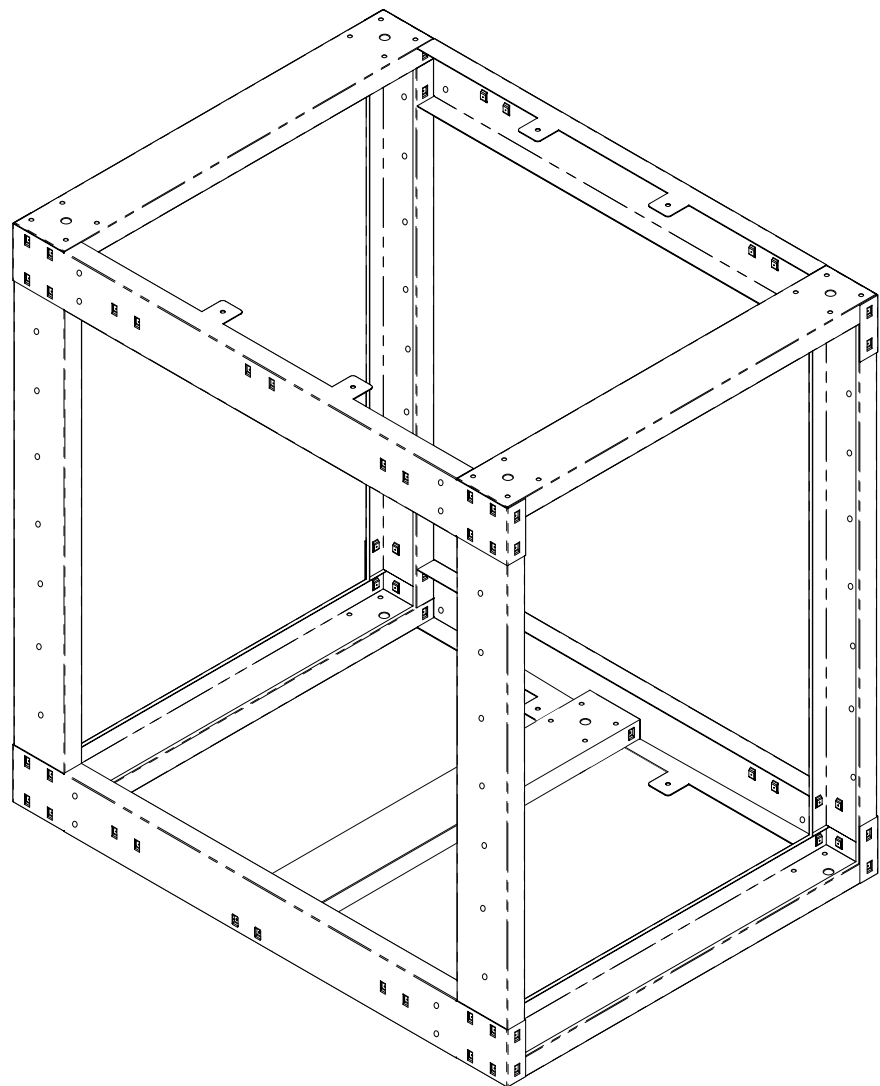
QUATRO BEEFEATER 4 & 5 BURNER OUTDOOR KITCHEN

ASSEMBLY & INSTALLATION MANUAL

STEP 1



680 FRAME ASSEMBLY



680 Appliance Module/Fridge

STEP 1 - FRAME ASSEMBLY

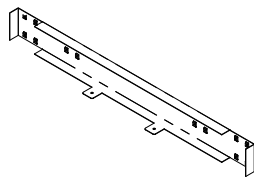


BEGIN HERE!

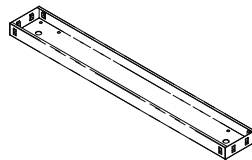
1. Arrange and identify Step 1 boxes.
2. Open **Step 1- 680 Module Box** and check that all components are included.

Module Components

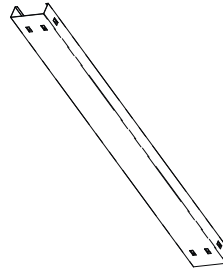
ITEM 1
BASE CHANNELS X 4



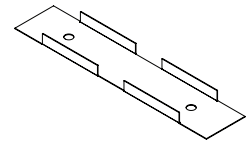
ITEM 2
CROSS CHANNELS X 5



ITEM 3
HEIGHT CHANNELS X 4



ITEM 4
floor base (separate box)
to be used in Step 2

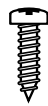


Hardware

M6 X 20mm Bolts x4
M6 hex nuts X 8
to be used during kitchen
configuration - refer to
step 3 of 7



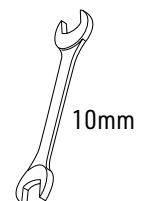
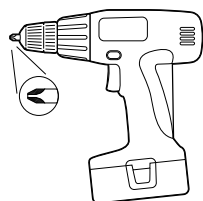
8G X 12mm
self tapper X 110



Levelling foot plate and
foot X4



Tools Required

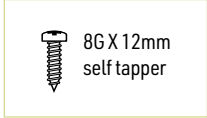
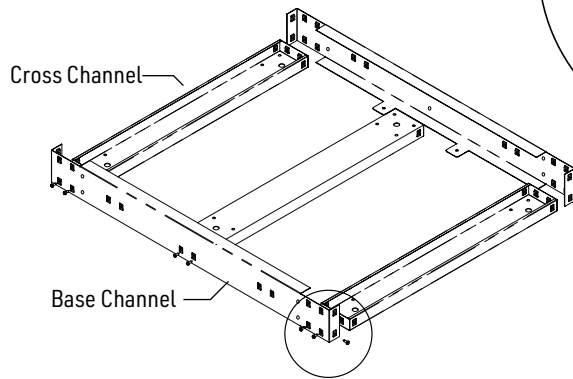


680 Appliance Module/Fridge

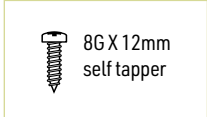
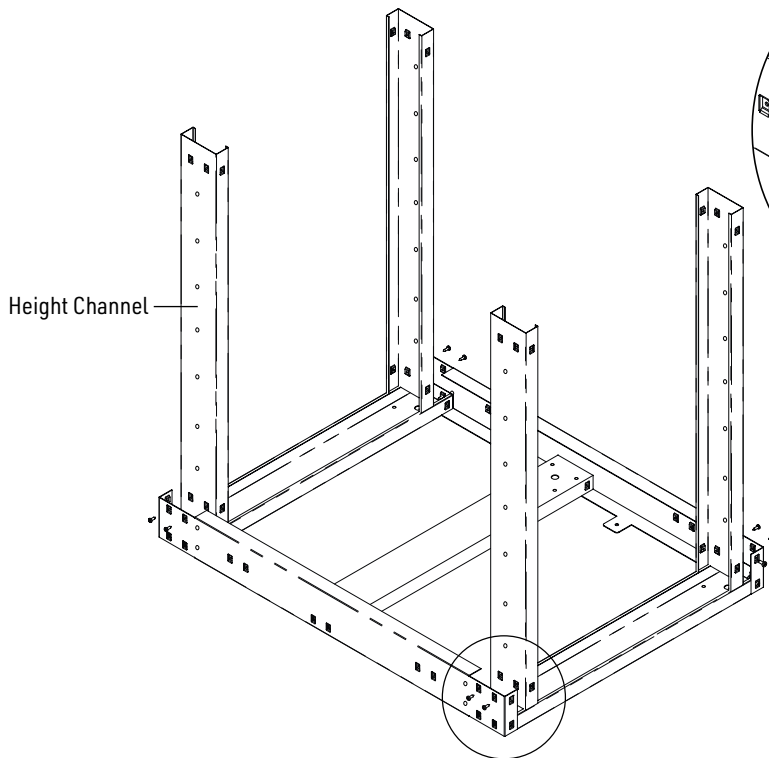
STEP 1 - COUNTER FRAME ASSEMBLY



1 lay out the 3 Cross Channel pieces together with 2 Bases and screw together as shown



2 Attach 4 Height Channels as shown



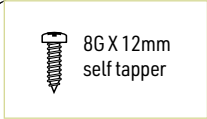
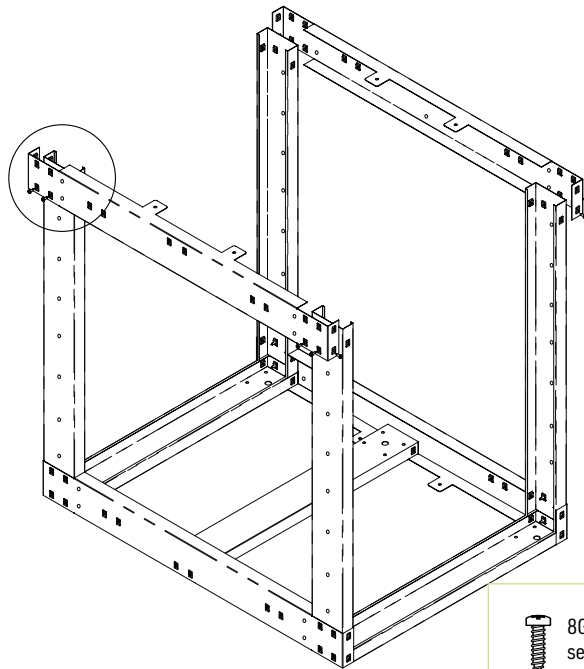
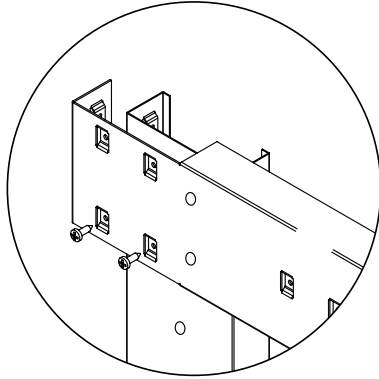
680 Appliance Module/Fridge

STEP 1 - COUNTER FRAME ASSEMBLY



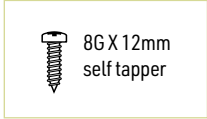
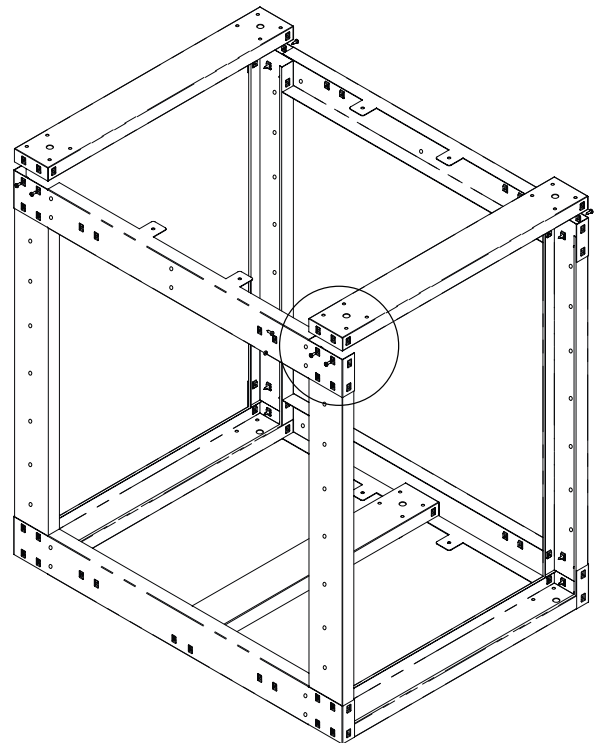
3

Repeat to Top section of Frame X4



4

Attach 2 remaining Cross Channels to complete module



NOTE:

Your fresco frames counter and appliance module will also house a Fresco Frames door or drawer cabinet.

appliance max height - 840 mm

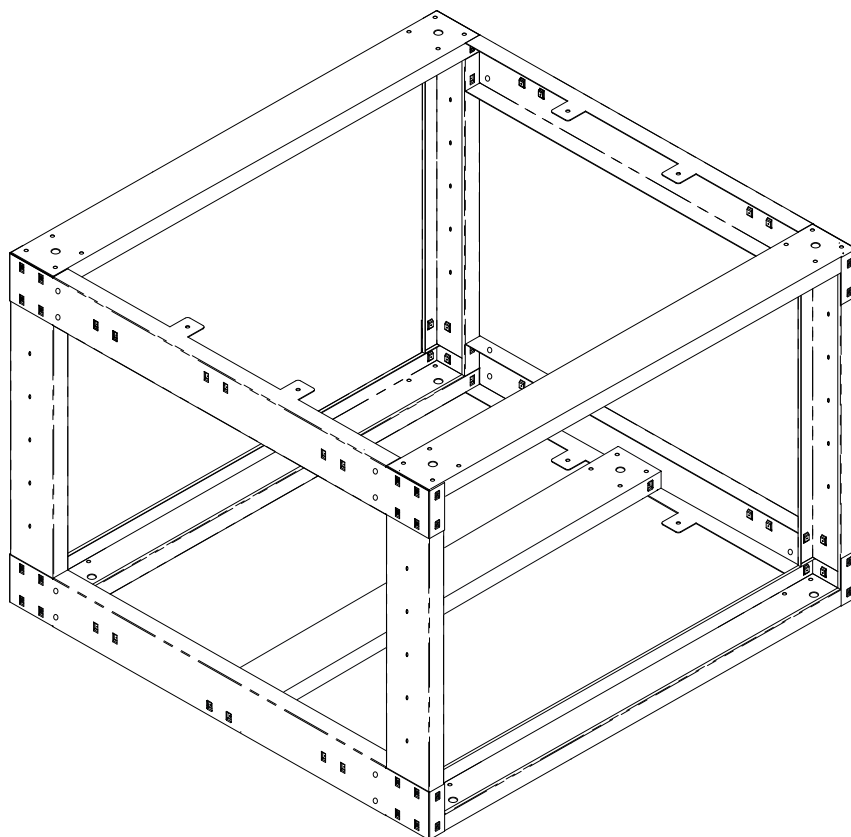
appliance max width - 595 mm

appliance max depth - 595 mm

STEP 1



GRILL BASE ASSEMBLY



Grill Base 4&5 Burner Beefeater Module

STEP 1 - GRILL BASE FRAME ASSEMBLY

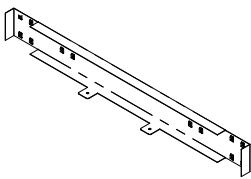


BEGIN HERE!

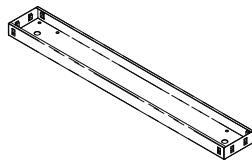
1. Arrange and identify Step 1 boxes.
2. Open **Step 1- Grill Base** and check that all components are included.

Module Components

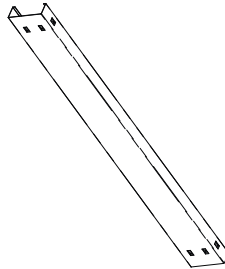
ITEM 1
BASE CHANNELS x4



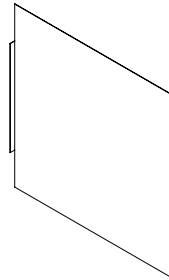
ITEM 2
CROSS CHANNELS x5



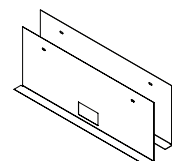
ITEM 3
HEIGHT CHANNELS x4



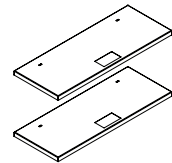
ITEM 4
SEAT
(to be used in Step 2)



ITEM 5
RISERS
(to be used in Step 2)



5 Burner Signature Series



4 Burner Signature Series
(20mm)

Hardware

M6 x 20mm Bolts x4
M6 hex nuts x8



8x12mm
self tapper x 110



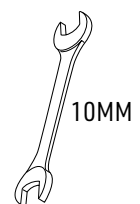
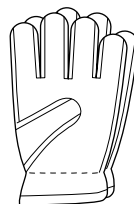
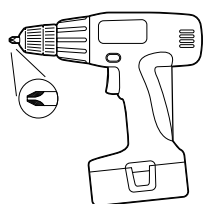
Levelling Foot and
Plate x4



M6 x 20mm Seat & Riser
Bolt Set x4
M6 hex nuts x4



Tools Required

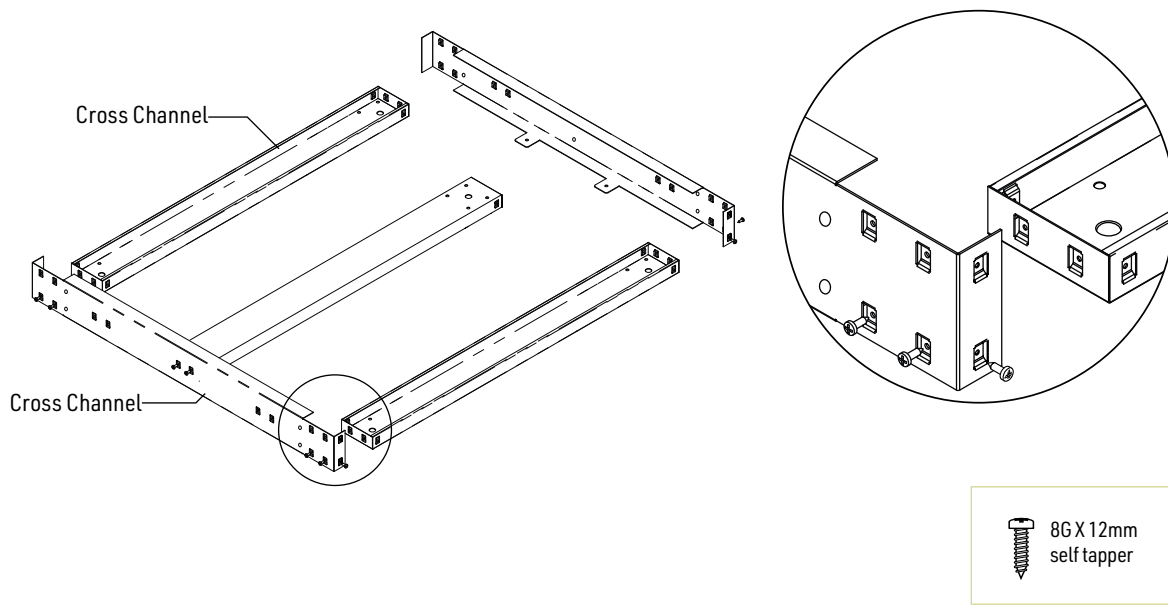


Grill Base 4&5 Burner Beefeater Module

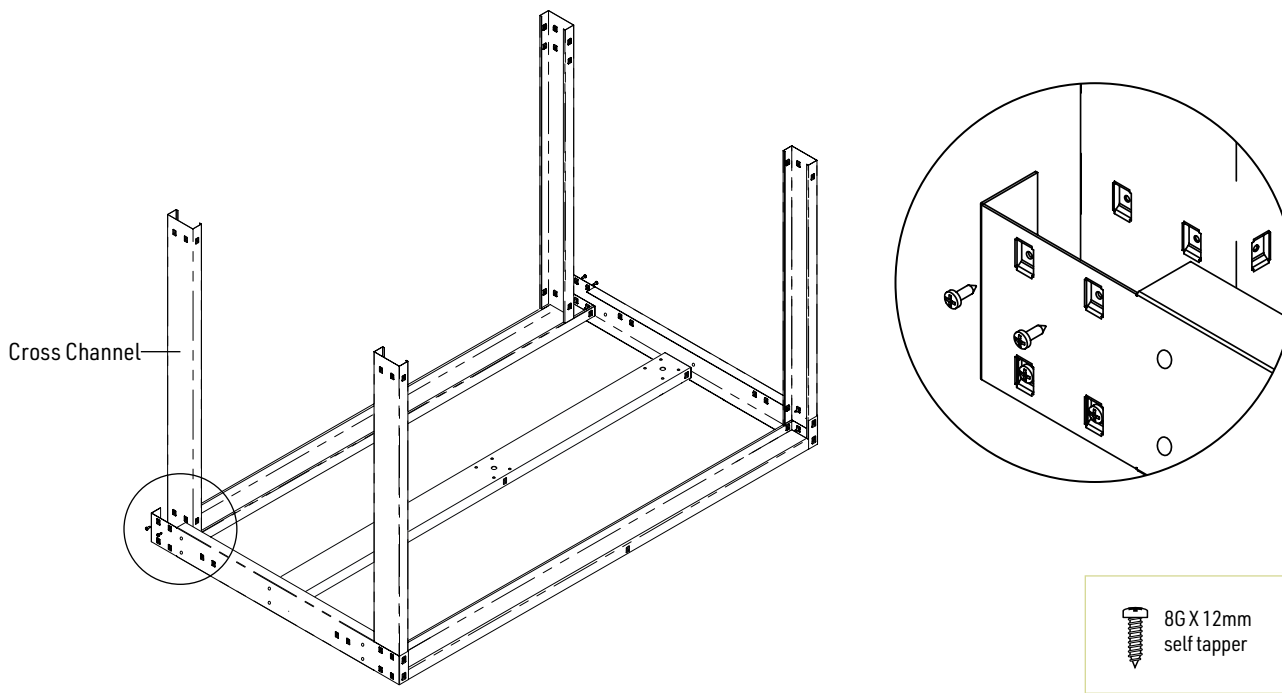
STEP 1 - GRILL BASE FRAME ASSEMBLY



- 1 lay out the 3 Cross Channel pieces together with 2 Bases and screw together as shown.



- 2 Attach 4 Height Channels as shown



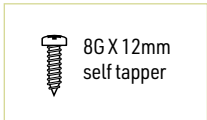
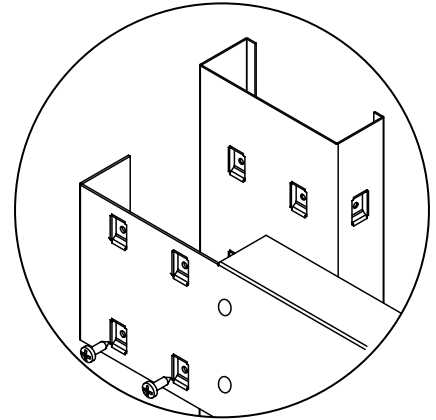
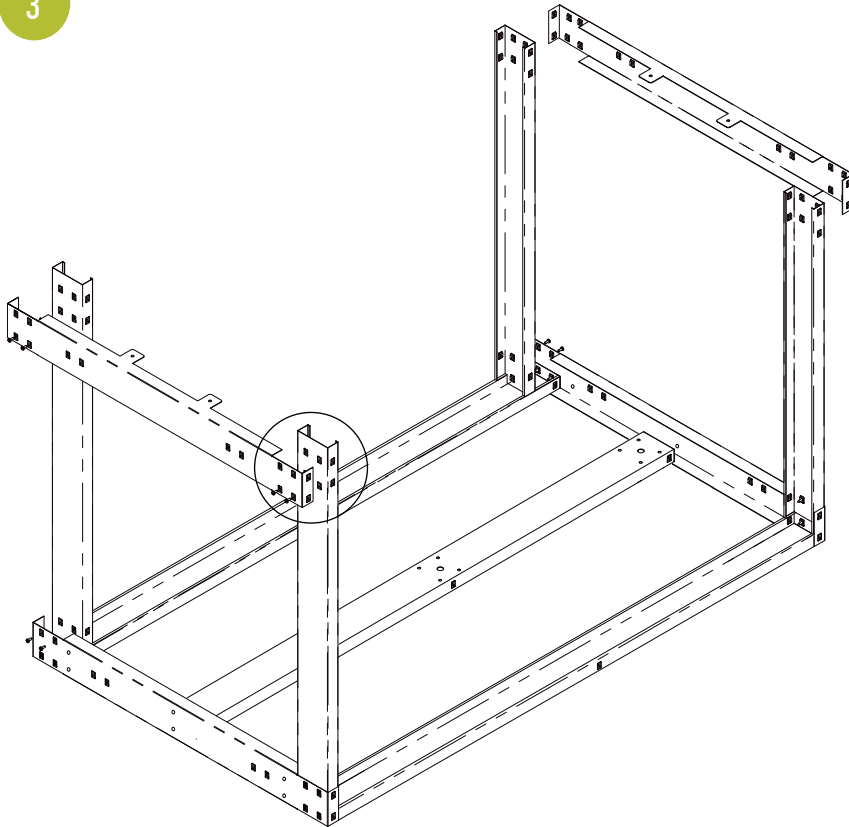
Grill Base 4&5 Burner Beefeater Module

STEP 1 - GRILL BASE FRAME ASSEMBLY



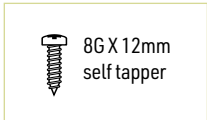
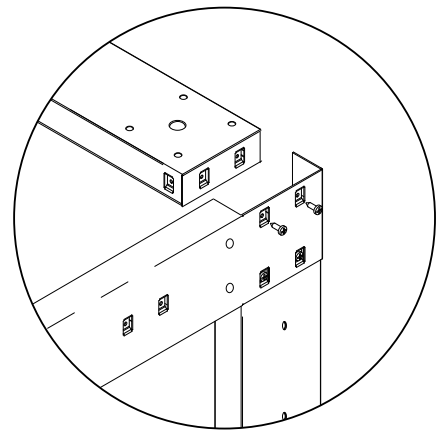
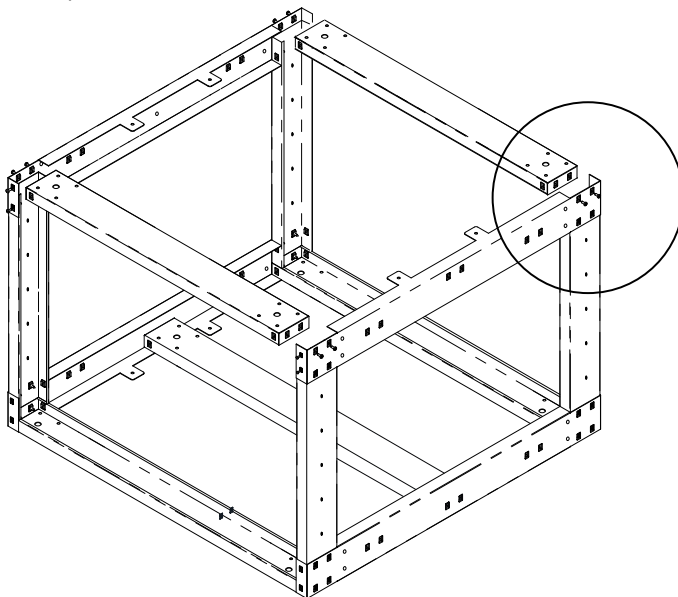
3

Repeat to Top section of Frame X2



4

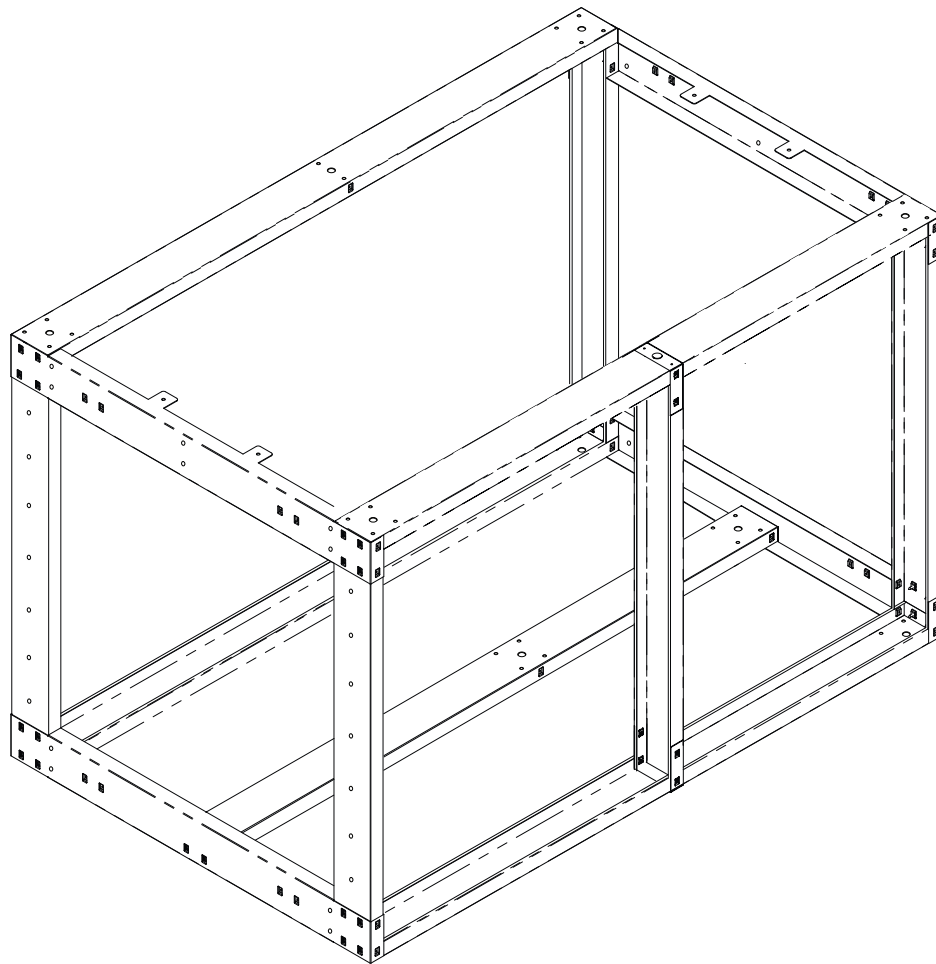
Attach 2 remaining Cross Channels to complete the module



STEP 1



DOUBLE COMBO FRAME ASSEMBLY



Double Combo Module

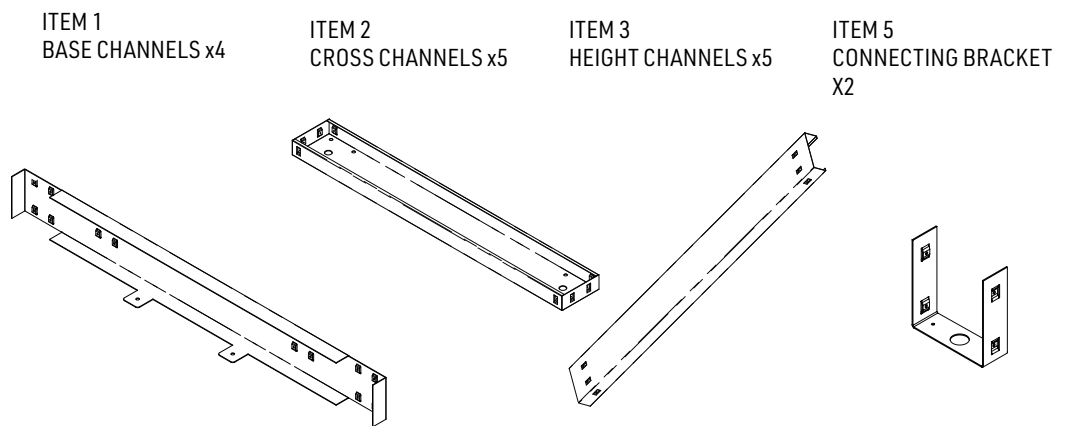
STEP 1 - COMBO FRAME ASSEMBLY



BEGIN HERE!

1. Arrange and identify Step 1 boxes.
2. Open **Step 1- 1320 Combo Module** and check that all components are included.

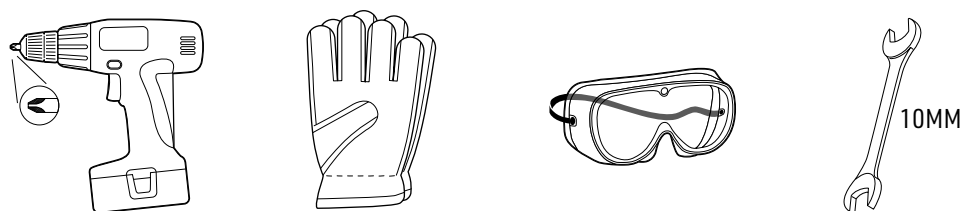
Module Components



Hardware



Tools Required

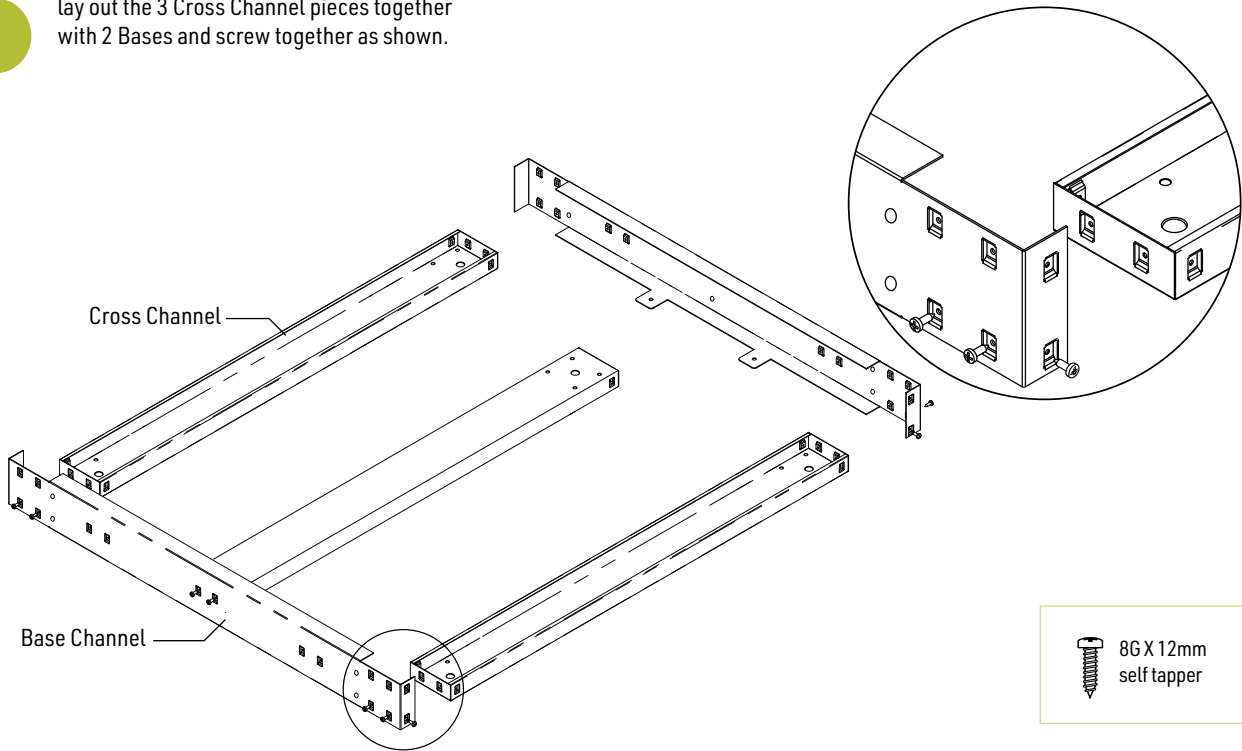


Double Combo Module

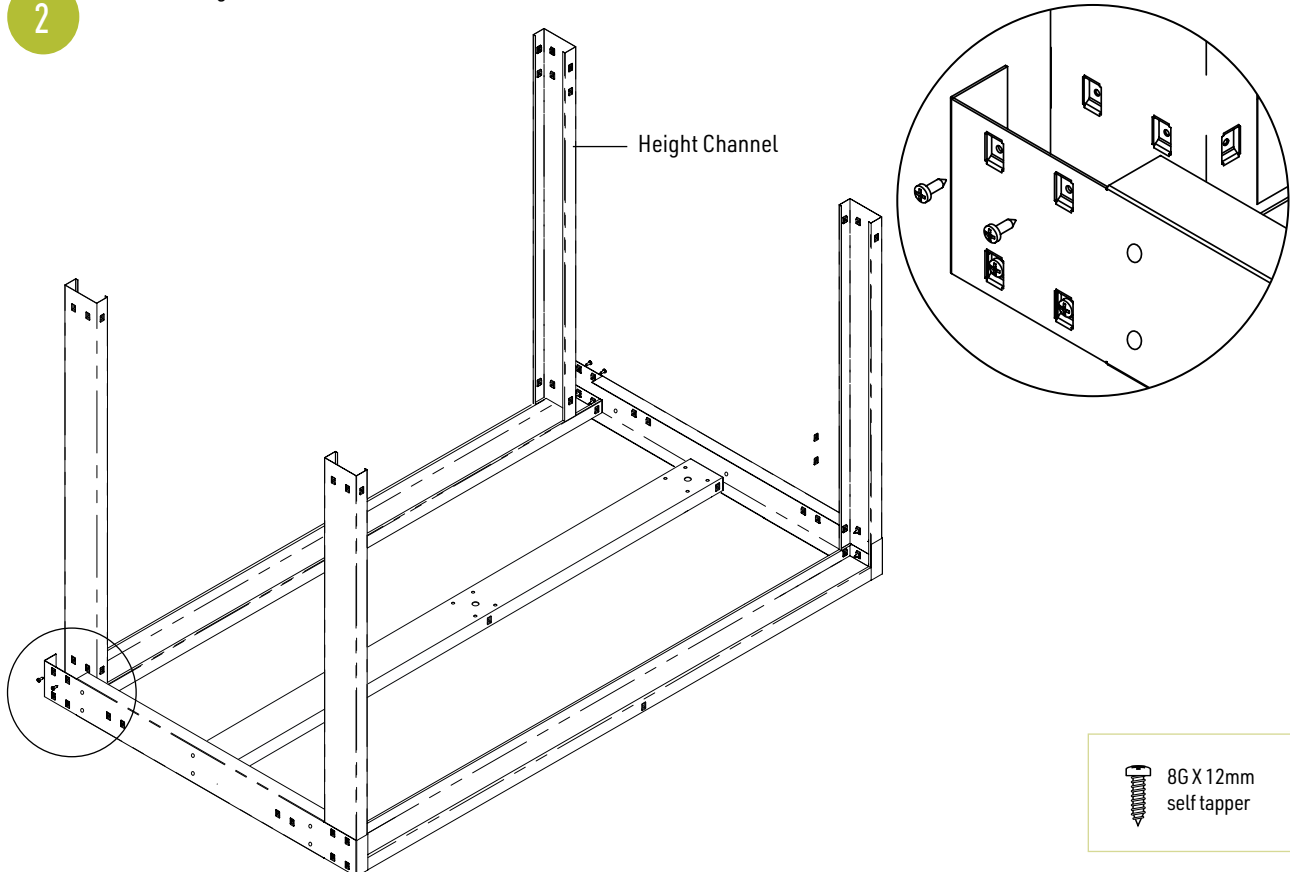
STEP 1 - COMBO FRAME ASSEMBLY



1 lay out the 3 Cross Channel pieces together with 2 Bases and screw together as shown.



2 Attach 4 Height Channels as shown



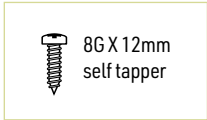
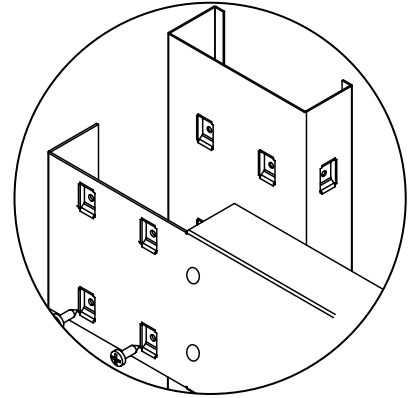
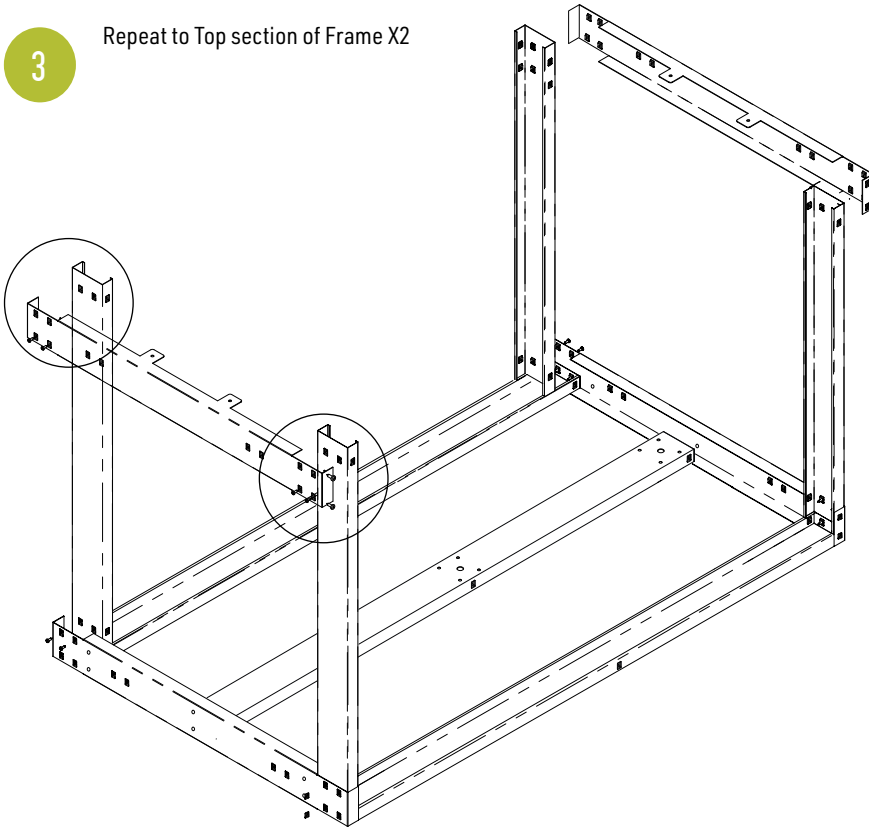
Double Combo Module

STEP 1 - COMBO FRAME ASSEMBLY



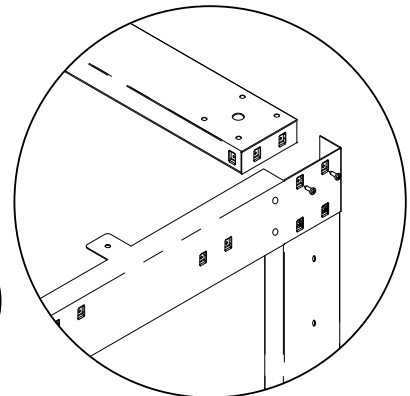
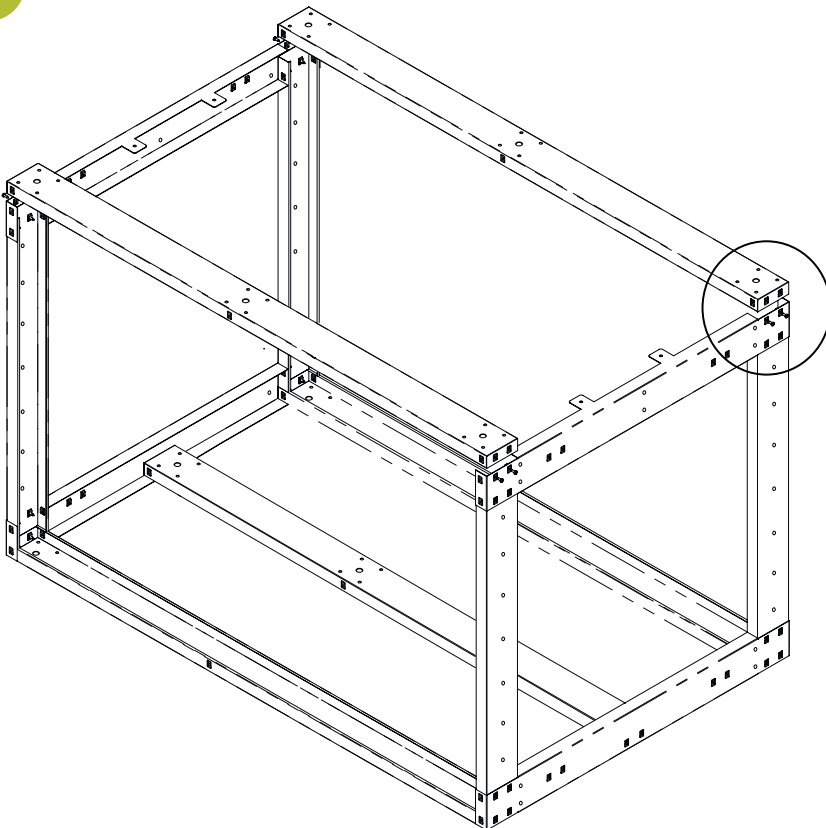
3

Repeat to Top section of Frame X2



4

Attach 2 remaining Cross Channels to complete the module.



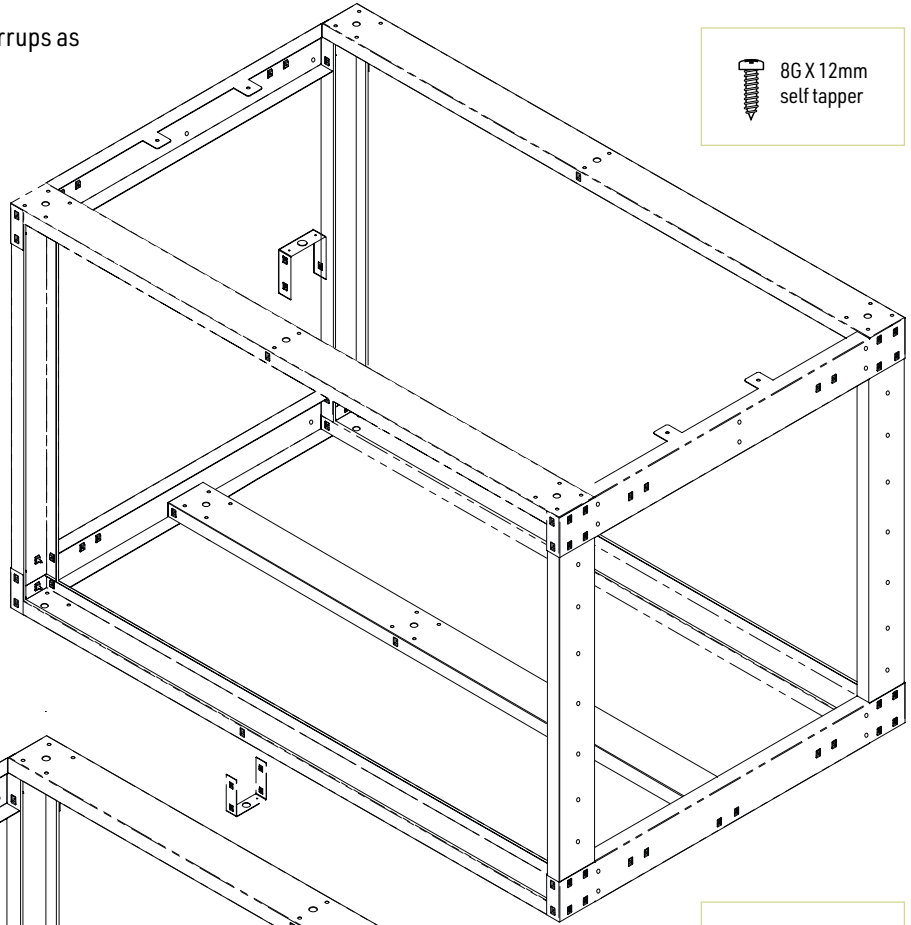
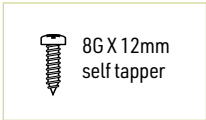
Double Combo Module

STEP 1 - COMBO FRAME ASSEMBLY



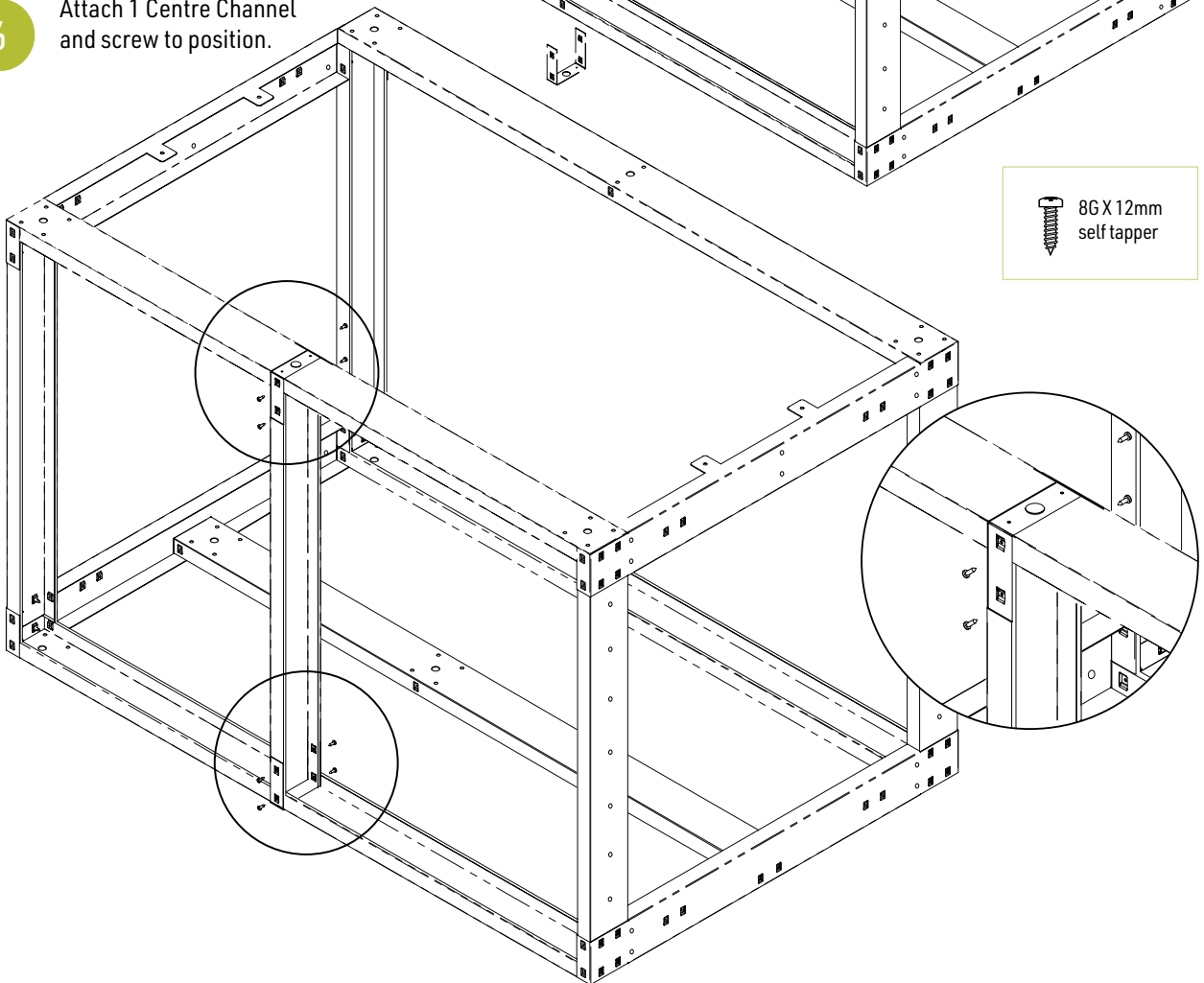
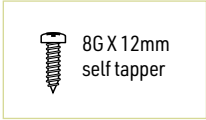
5

Attach 2 Centre Channel Stirrups as shown.



6

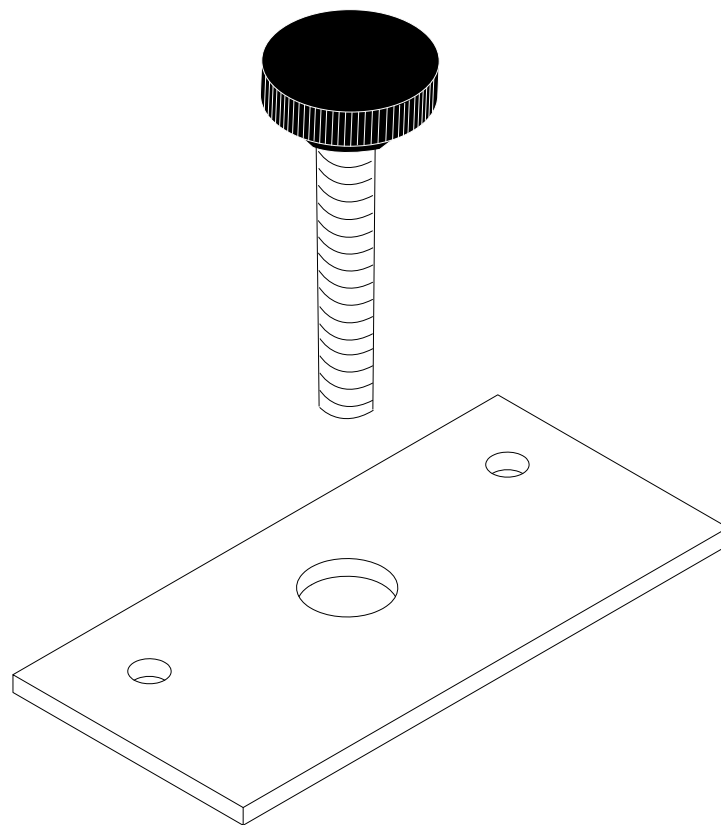
Attach 1 Centre Channel and screw to position.



STEP 1



ATTACHING LEVELLING FEET

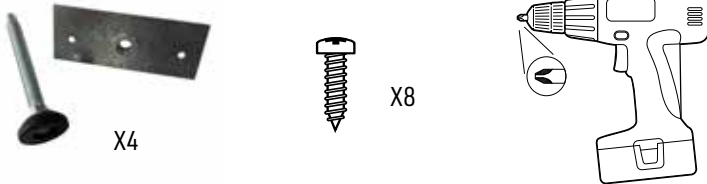


Module Feet

STEP 1 - ATTACHING LEVELLING FEET



Hardware and tools required



NOTE!
Your Levelling Feet and Plates are included in each Module Box. x4 sets. Use 8GX12mm self taper screws for this step. Levelling Plates are attached to Base Channels.

- 1 Position Foot Plate to Base Channel. (refer to note)

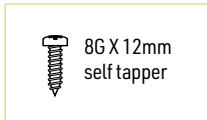


IMPORTANT!
When attaching level-ling plates to **joining modules**, ensure overhang is on the inside of base channel.

- 2 Screw 2X 8GX12mm self taper screws to Base Plate. Screw Levelling Foot to Base Plate.

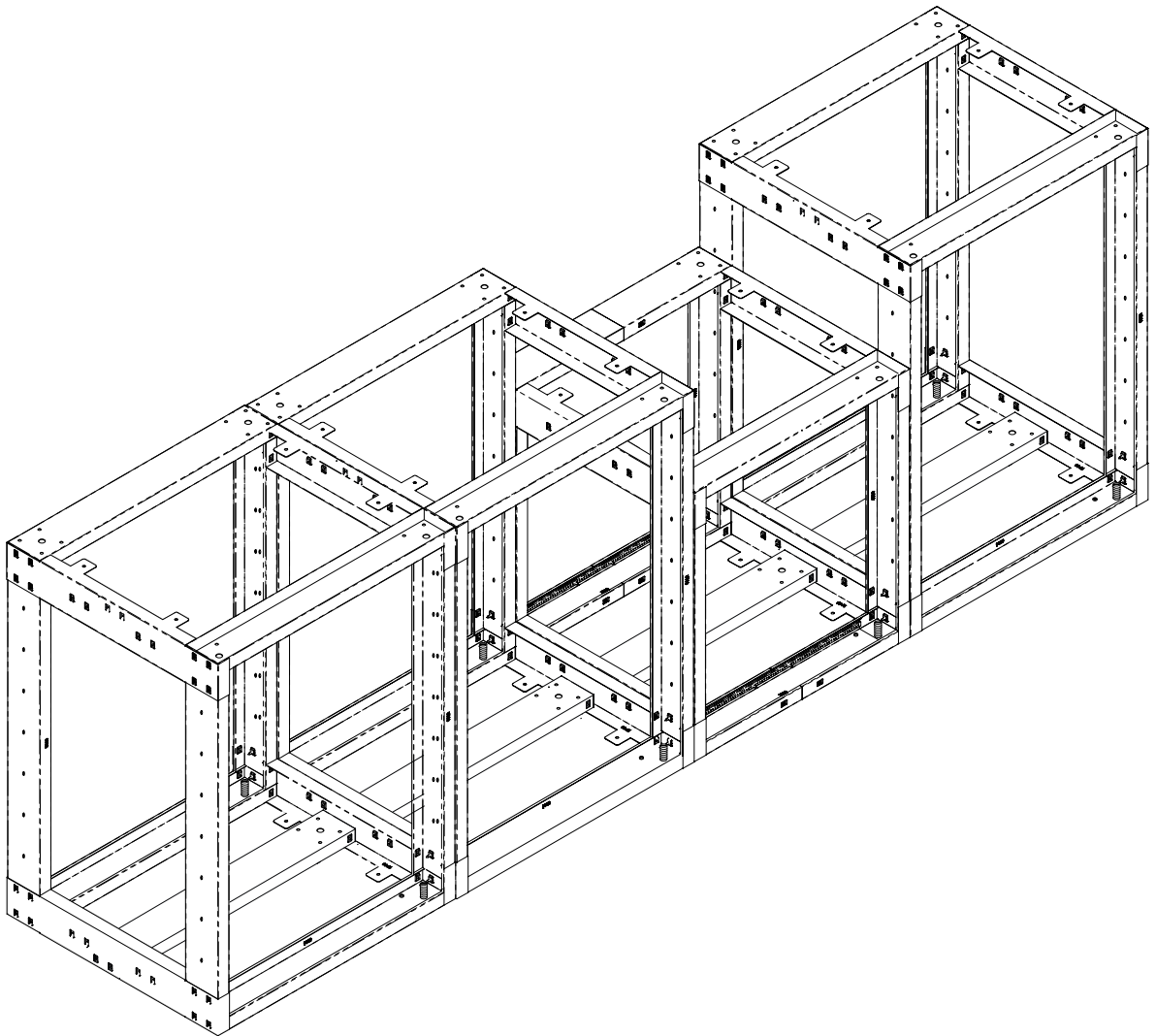


IMPORTANT!
Overhang of levelling plate to **end modules** only.



STEP 1

COMBINING & ATTACHING MODULES



STEP 1 - CONFIGURATION, LEVELLING & BOLTING

NOTE:

Since floor and ground substrates vary, fixing screws to ground are not included. Please contact your local hardware retailer for advice on a suitable fixing system.

1

Decide on orientation of Appliance & Combo Modules.
To join your counter modules, insert M6 X 20mm bolt into an aligning hole to the front and back height channels.

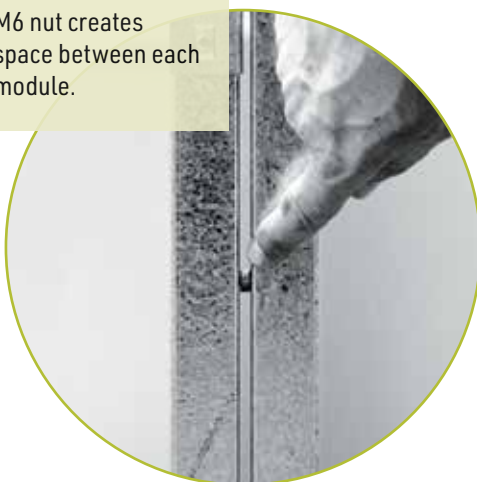


2

Fasten firmly with M6 nut.

NOTE:


M6 nut creates space between each module.



STEP 1 - CONFIGURATION, LEVELLING & BOLTING

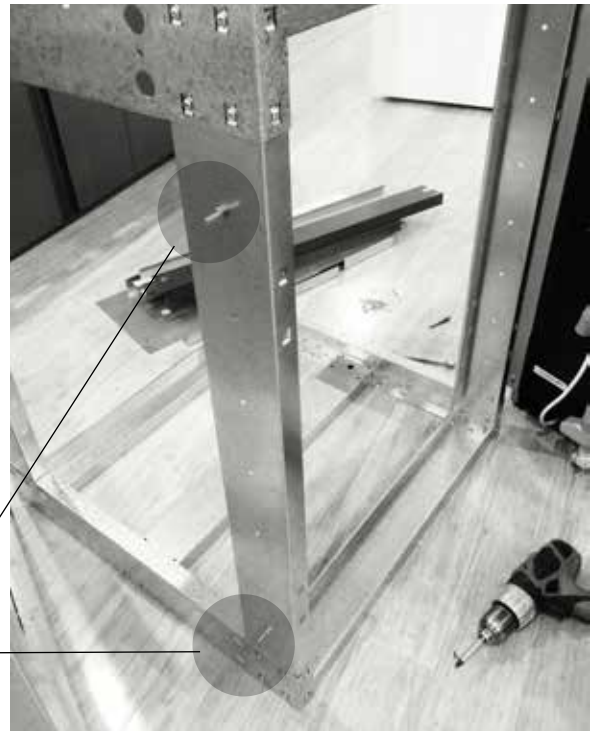
3

Repeat the same process to the bottom last hole of your modules, ensuring they match.




M6 hex nuts

NOTE: The nuts & bolts are only placed on one side of each module.



4

To join your grill base to the counter module, insert M6 x 20mm bolt into an aligning hole closest to the top & bottom of your grill base.



M6 X 20mm
M6 hex nuts

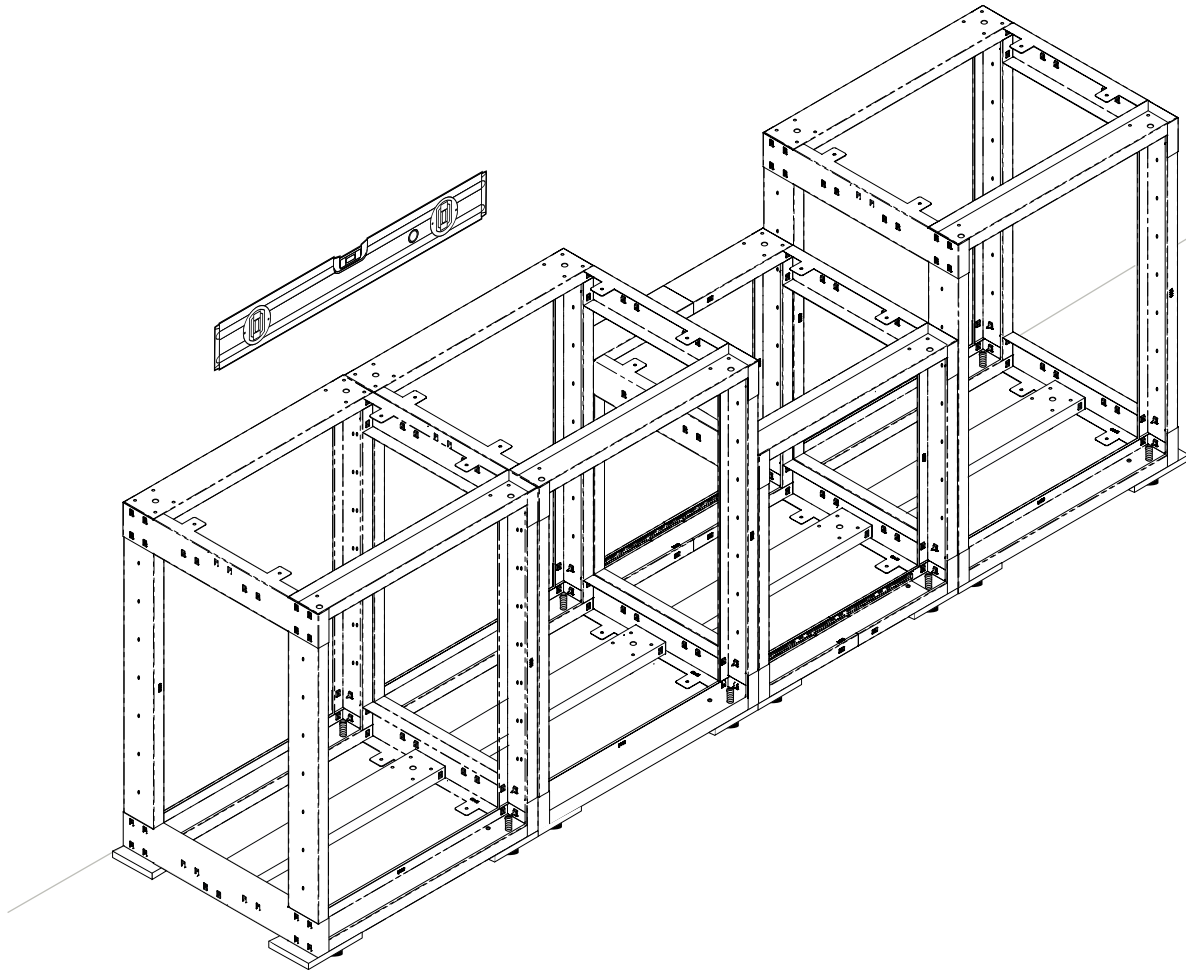


STEP 1 - CONFIGURATION, LEVELLING & BOLTING

5

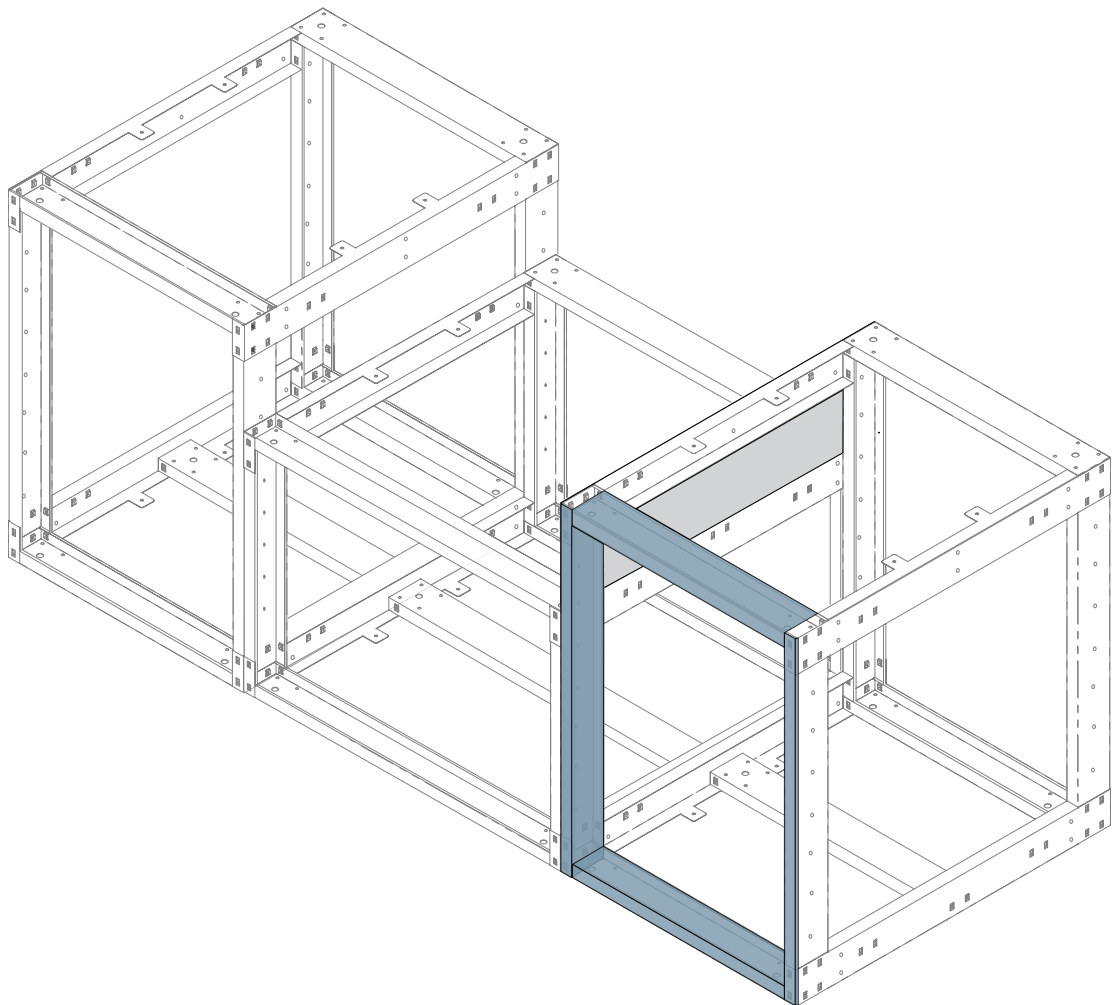
Now that the frames are connected, level and brace your Fresco Frames onto your floor or wall.

Step 1 is now complete



STEP 2

ATTACHING FASCIAS



Single, Double and Grill Base Modules

STEP 2 - ATTACHING FASCIAS

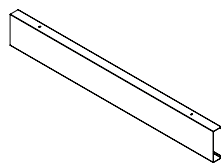


BEGIN HERE!

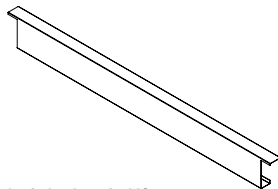
1. Arrange and identify Step 2 boxes.
2. Select **Step 2 Fascia Set** you wish to complete first and check that all components are included.

Module Components

SINGLE FASCIA SET

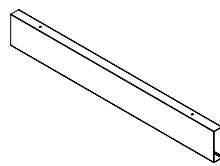


cross fascia X2

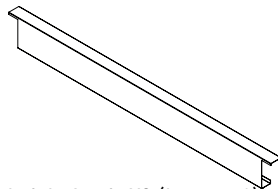


height fascia X2

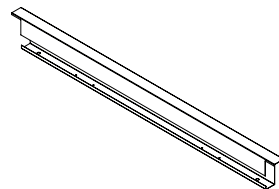
D/COMBO FASCIA SET



cross fascia X4 (box part2)

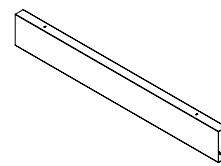


height fascia X2 (box part1)

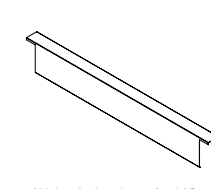


centre height fascia X1 (box part1)

GRILL BASE FASCIA SET



cross fascia X2



grill height fascia X2

Hardware

8GX35mm SELF TAPPER
X4 (found in module
hardware bag)



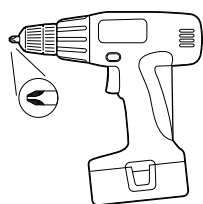
(2020 Models ONLY)

8GX12mm SELF TAPPER
X4 (found in module
hardware bag)



(2019 Models ONLY)

Tools Required



Single, Double and Grill Base Modules

STEP 2 - ATTACHING FASCIAS



- 1 Align the height fascia bottom and insert over module lip.



- 2 Repeat and place all height fascias on all modules.



NOTE:
Ensure all vertical lines are even.

Single, Double and Grill Base Modules

STEP 2 - ATTACHING FASCIAS

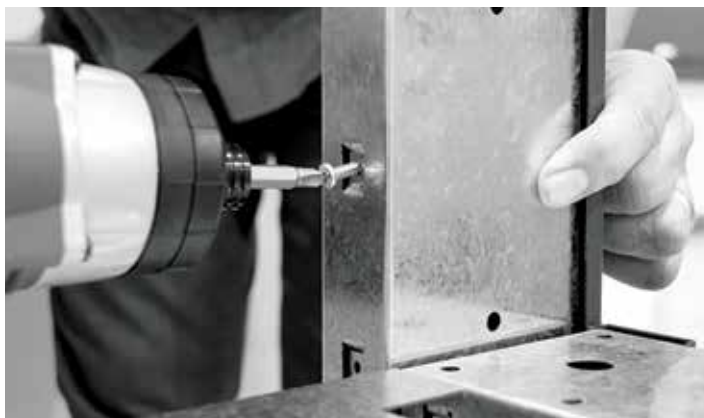


3

Screw your fascia trims onto frame using 35mm as illustrated. see below photo for screw point.



or

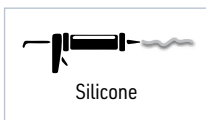


NOTE:

Do not over tighten the screws and ensure all fascias are aligned flush to the front.

4

When all the height fascias are firmly placed, you can now silicone all cross fascias on counte modules and grill base module.



NOTE:

Ensure all silicone dries to manufacturers specification prior to installing benchtops.

Double Combo Module

STEP 2 - ATTACHING FASCIAS



1

double combo centre height fascia (wide lip)

standard height fascia



2

place the solid side of the fascia to cover the open side of the height channel, slide into position and screw to rear



Double Combo Module

STEP 2 - ATTACHING FASCIAS

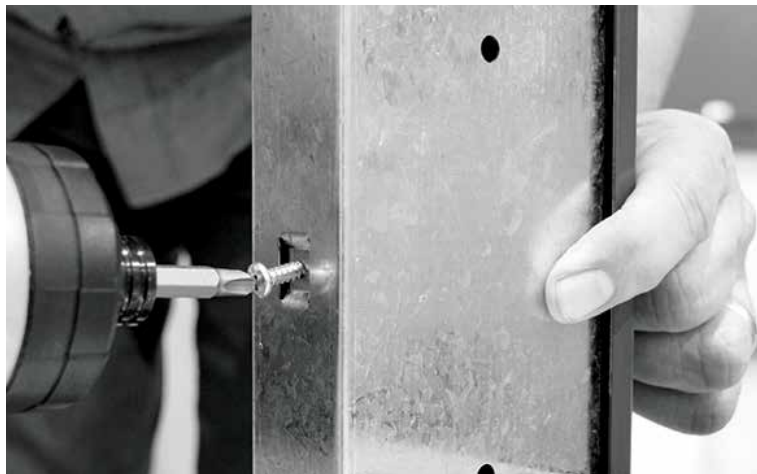


3

Screw your centre fascia trim onto frame as illustrated. see below photo for screw point.
note: do not over tighten the screws and ensure all fascias are aligned flush to the front



or



4

When centre fascia is firmly placed, you can now silicone all cross fascias on double combo module X4 into place.

NOTE:
Silicone is only required for top fascias.



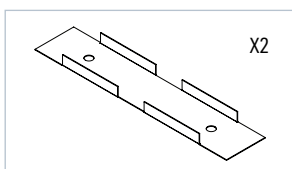
Appliance Module

STEP 2 - FLOORING FOR APPLIANCES



- 1 Place the floor into position. Taking note of cutouts to ensure correct fit.
Max height of appliances with floors is 840mm.

NOTE:
Appliance floor has been deliberately cut short to hide unpainted metal floor.



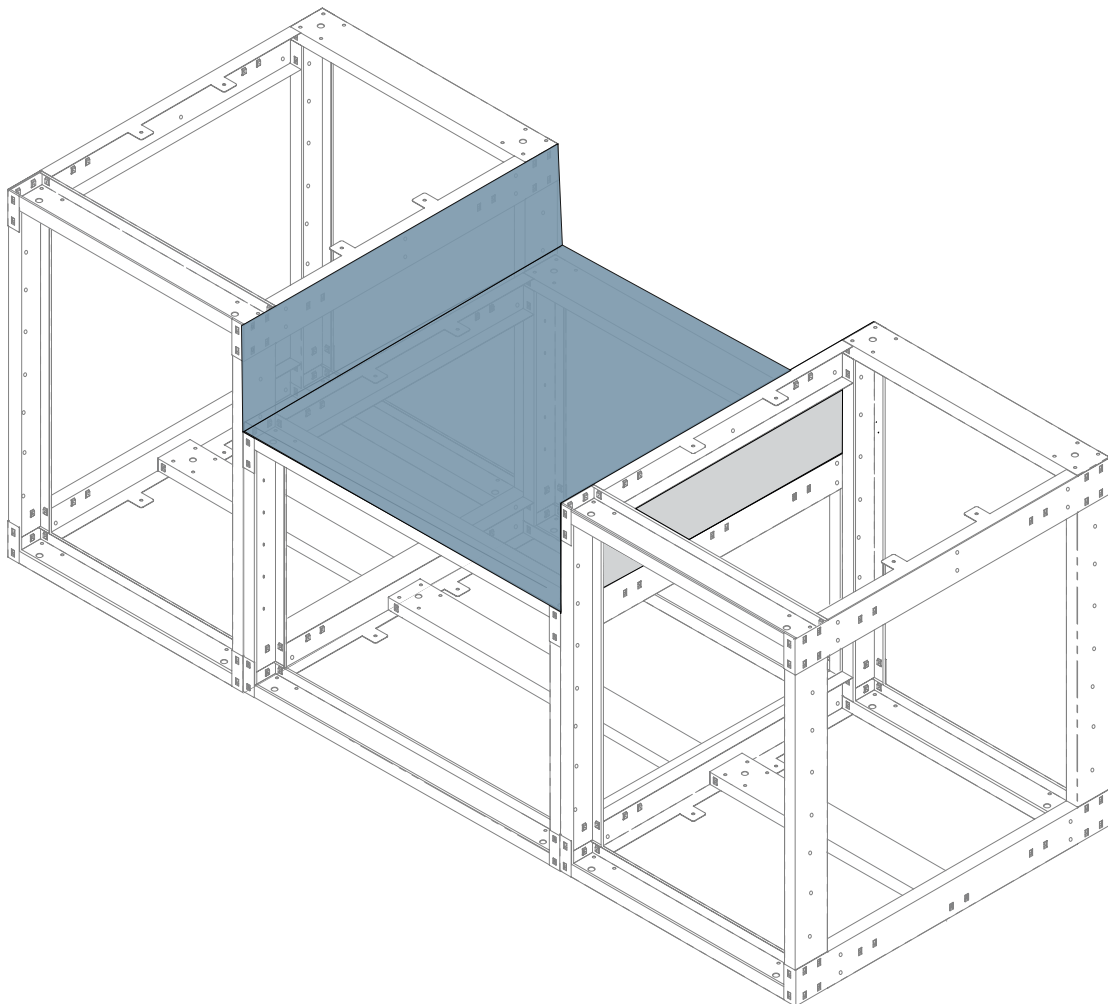
NOTE:
Floor widths may vary between models.

- 2 Tilt appliance forward, placing base of appliance onto frame.
Square appliance and push in until appliance is flush with fascia trim.



STEP 2

ATTACHING SEAT & RISERS



4&5 Burner Beefeater Grill Base Modules

STEP 2 - ATTACHING SEAT AND RISERS



BEGIN HERE!

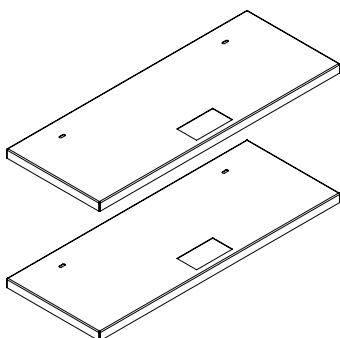
1. Arrange and identify your parts
2. Your **Seat and Risers** are packed within your Grill Base Module box and check that all components are there

NOTE:

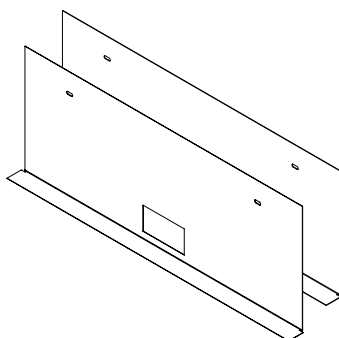
Seat and risers to be attached after all fascias have been attached.

Module Components

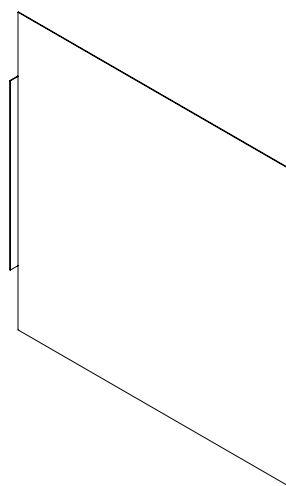
ITEM 1
4 Burner Riser Set



ITEM 2
5 Burner Riser Set



ITEM 3
Seat



Hardware

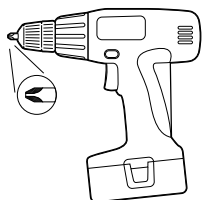
4 BURNER:
M6 X 30mm Bolts X4
M6 hex nuts X4



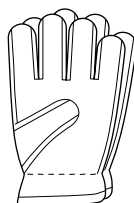
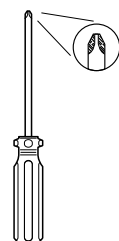
5 BURNER:
M6 X 20mm Bolts X4
M6 hex nuts X4



Tools Required



OR



4&5 Burner Beefeater Grill Base Modules

STEP 2 - ATTACHING SEAT AND RISERS



1 Please make sure you have attached all your fascias trims before installing your seat & riser.
Place seat onto grill base, screw or silicone (for a neater finish) to frame.



4 BURNER

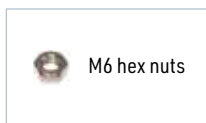


5 BURNER



NOTE:
Material colours may vary between models.

2 Place riser(s) on side of counter module.
Tighten bolts to counter module frame as shown.

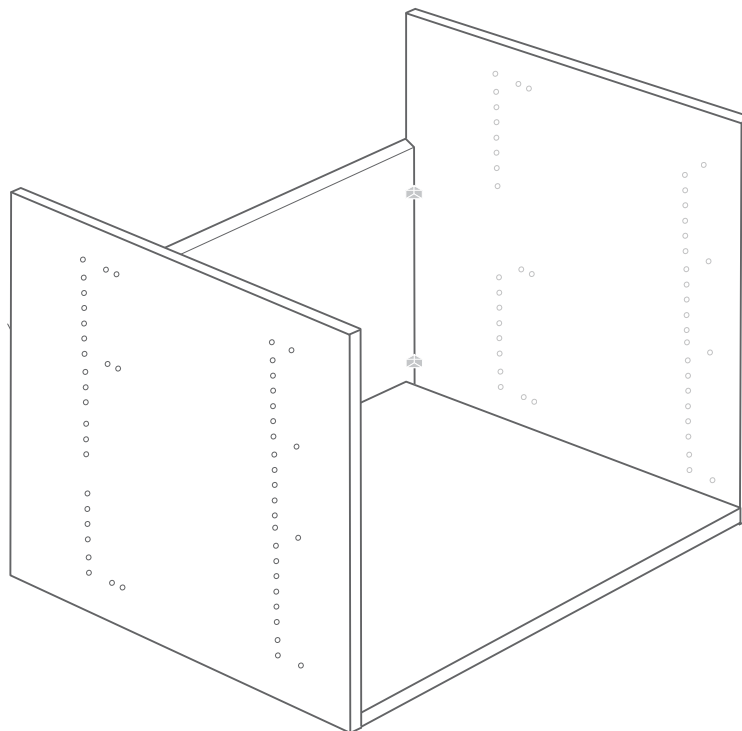


Step 2 is now complete

NOTE:
If using silicon or metal adhesive, please refer to manufacturer's instructions and specifications regarding heat resistance and drying time prior to placing your bbq.

STEP 3

PVC CABINET ASSEMBLY



STEP 3 – CABINET ASSEMBLY

COUNTER AND GRILL BASE



BEGIN HERE!

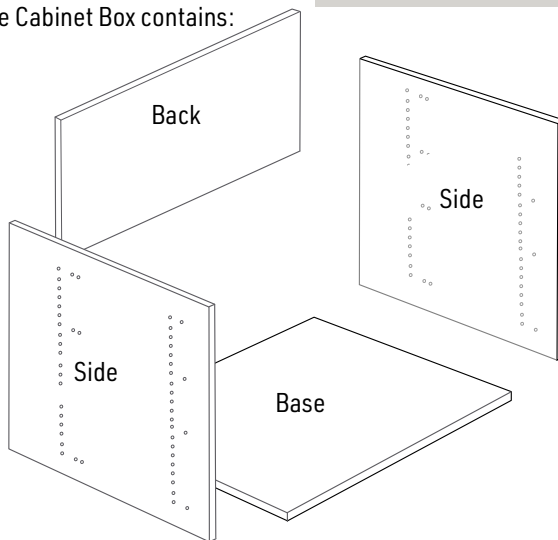
1. Arrange and identify all of **STEP 3** and **STEP 4** boxes
2. Cabinet screws and hardware is boxed within Door & Drawer Fronts **STEP 4**
3. Each box of **STEP 3** contains one base cabinet
4. Shelves are packed individually
5. Drawer bases and backs are boxed separately (Counter Modules Only)

Module Components

1

Identify your panels

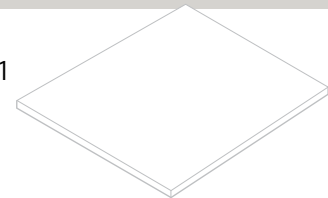
Base Cabinet Box contains:



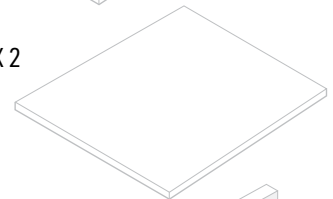
NOTE:

Grill Base Drawers are packed with Base Cabinet. Shelf is boxed separately.

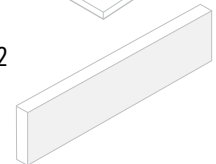
Door Shelf X1



Grill base drawers X 2



Grill base drawers back X 2



Hardware

32mm Countersunk screw X18



Corner connector X4



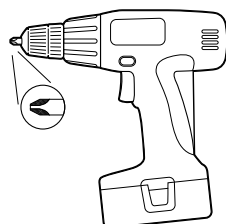
Shelf Support X4



Screw covers X4



Tools Required



STEP 3 – cabinet assembly

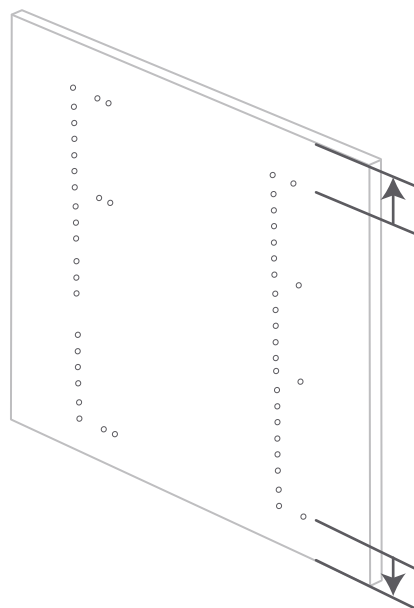
COUNTER AND GRILL BASE



1

Determining top and bottom of side panels

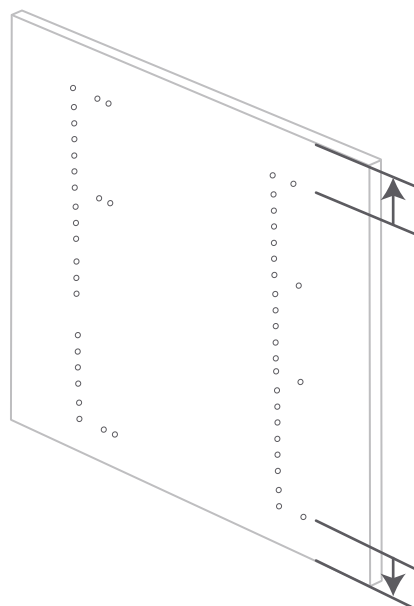
COUNTER TOP CABINET



First hole from the top measures 80mm

First hole from the bottom measures 51mm

GRILL BASE CABINET



First hole from the top measures 63 mm

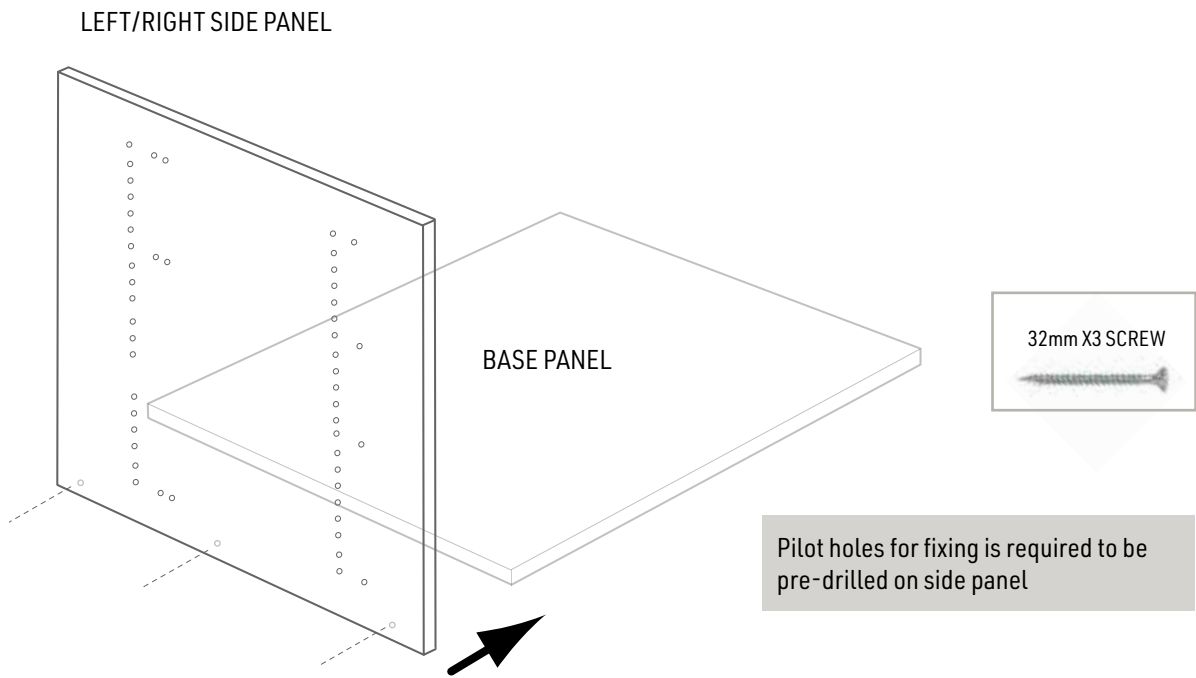
First hole from the bottom measures 51mm

STEP 3 – cabinet assembly

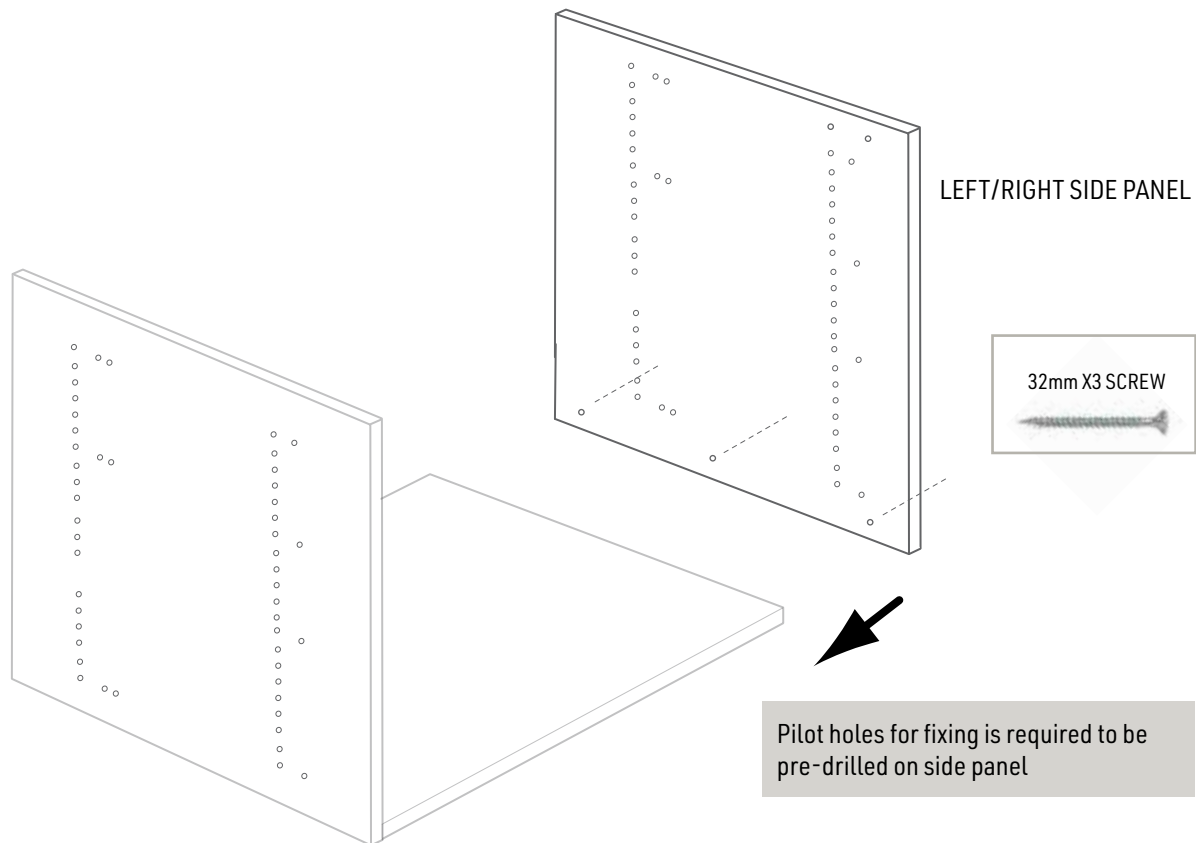
COUNTER AND GRILL BASE



2



3



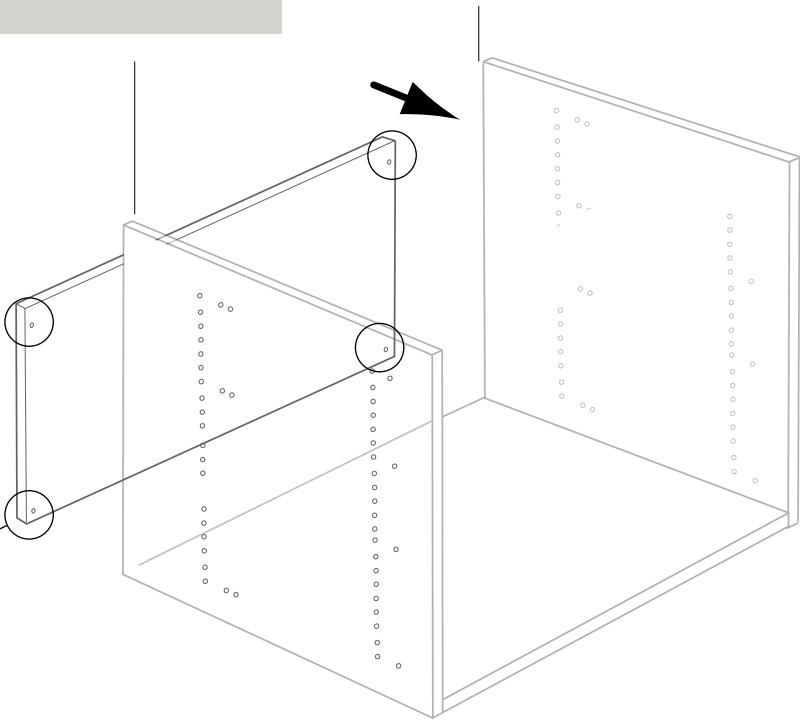
STEP 3 – cabinet assembly

COUNTER AND GRILL BASE



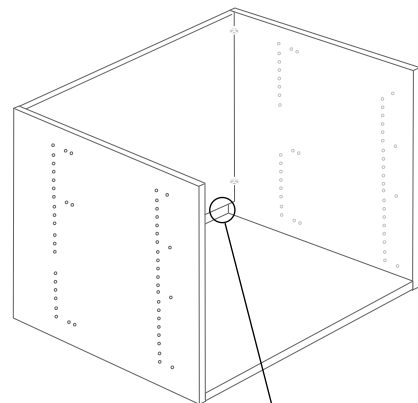
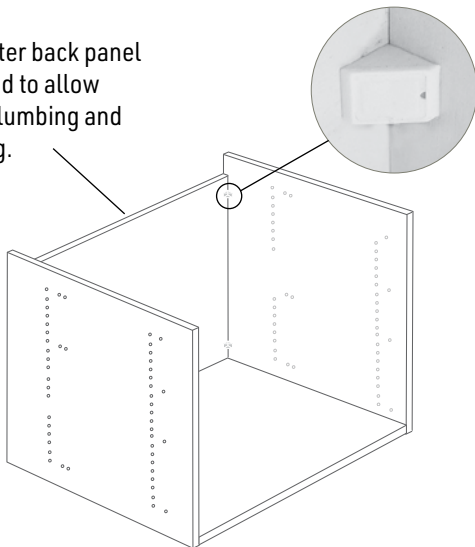
4 NOTE: Back panel sits flushed between side panels and on top of base panel.

NOTE: Back panel may be positioned to allow for GAS ventilation to bottom of cabinet.



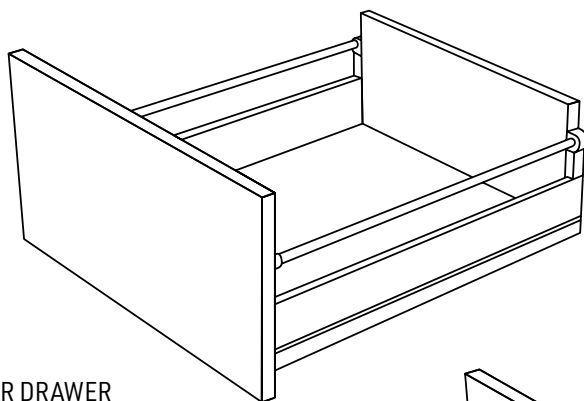
NOTE: Back panels do not come with pre-drilled holes. this step will need to be undertaken.

NOTE: The shorter back panel has been created to allow for tap hoses, plumbing and electrical wiring.

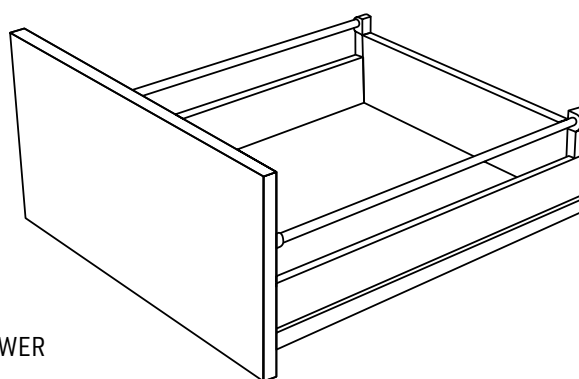


NOTE: panel gap for LPG installations

DRAWER BASE ASSEMBLY



REGULAR DRAWER



POT DRAWER

STEP 3 – DRAWER BASE assembly (Optional)

4 & 5 BURNER GRILL BASE & PROLINE CLASSIC



BEGIN HERE!

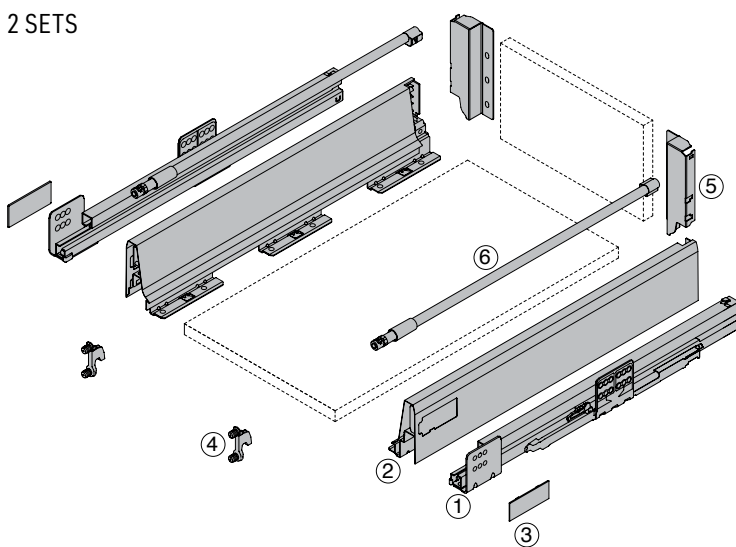
1. Arrange and identify all Drawer Sets (**STEP 3**)
Note that one box contains one complete set
2. Arrange and identify your HARN runners sets
(2 sets for Grill Base, 3 sets for Counter)

To complete this step you will require:

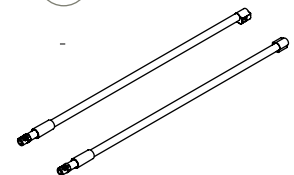
NOTE: screws to be found as part of hardware bag in your drawer front box

Drawer Components

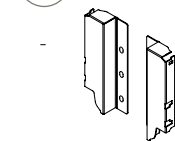
2 SETS



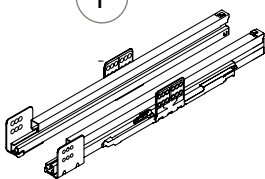
6 2 Sets



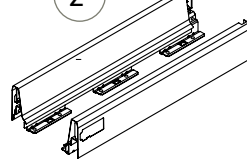
5 2 Sets



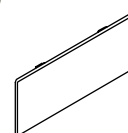
1 2 Sets



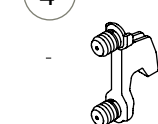
2 2 Sets



3 2 Sets

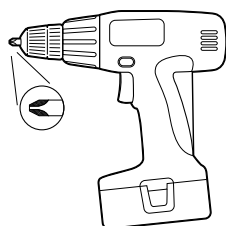


4 2 Sets



Tools & Hardware

Cordless Drill



8GX12mm
SELF TAPPER
x 64



8 mm EURO screw
X 4 per runner (24 total)

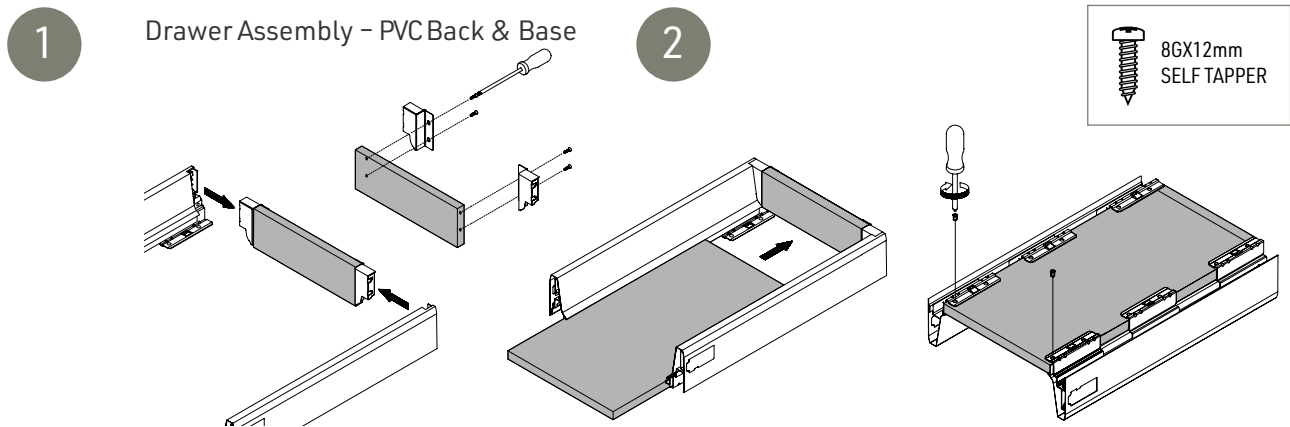


HANDLES X 2
Grill Base
HANDLES X 3
Counter

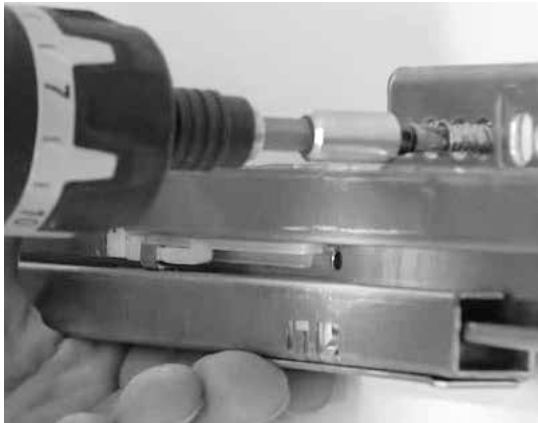


STEP 3 – DRAWER BASE assembly (Optional)

4 & 5 BURNER GRILL BASE & PROLINE CLASSIC

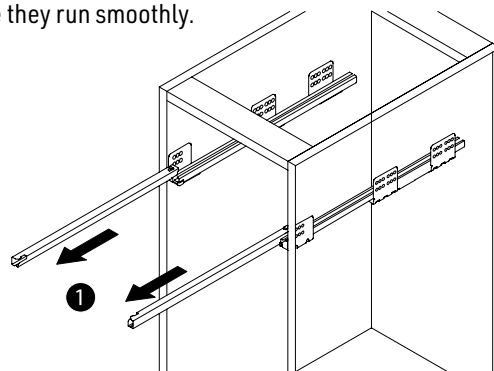


3 Attach runner to side wall and screw flush.



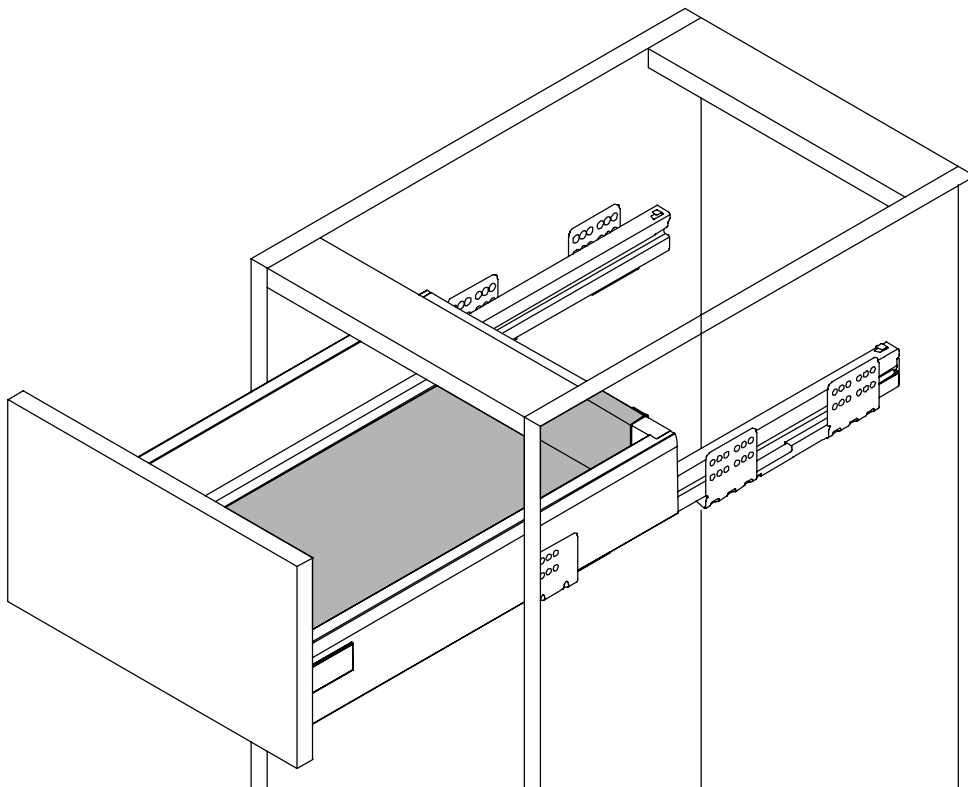
Repeat 4 times (Grill Base Modules)
Repeat 6 times (Counter Modules)

4 Test runners to ensure they run smoothly.



STEP 4

DRAWER FRONT ATTACHMENT



STEP 4 – Attaching Drawer Front

4 & 5 BURNER GRILL BASE & PROLINE CLASSIC



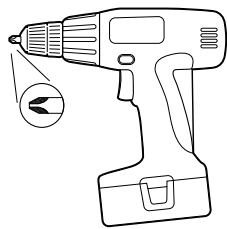
BEGIN HERE!

1. Arrange and identify all Drawer Sets (STEP 4)
Note that one box contains one complete set

NOTE: screws to be found as part of hardware bag in your drawer front box

To complete this step you will require:

Cordless Drill

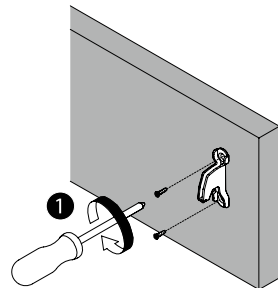


Drawer Fronts
SCREW X 18

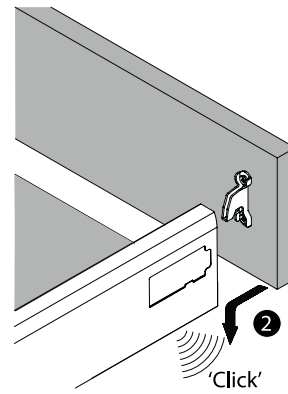


1

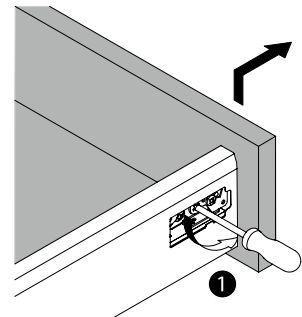
Screw-on



Assembly



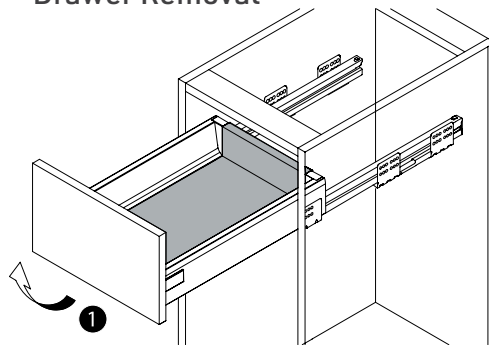
'Click'



Removal

2

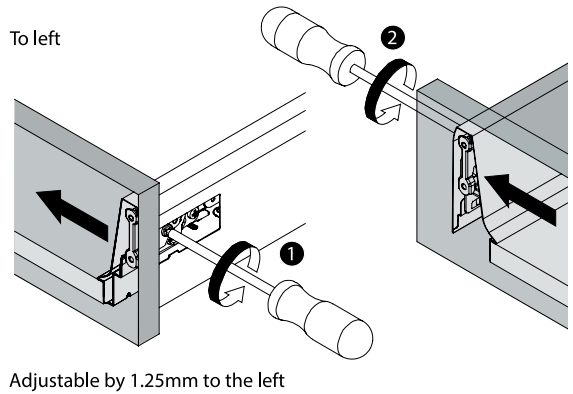
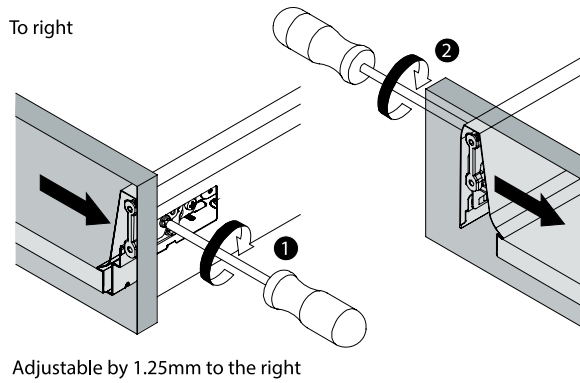
Drawer Removal



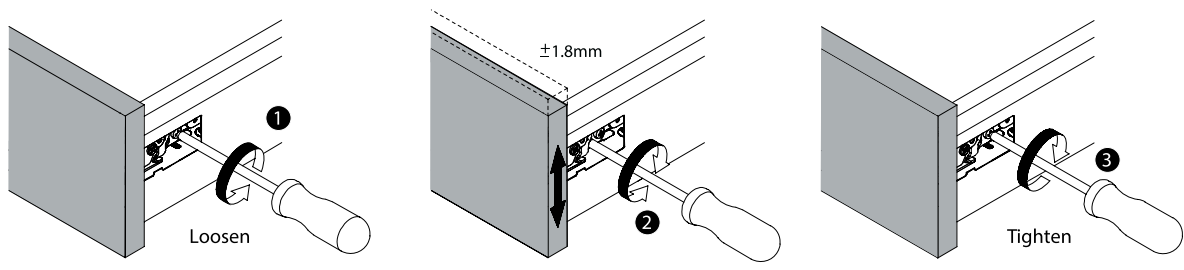
STEP 4 – Removing and Adjusting ALUMINIUM DRAWERS



3 Drawer Front – Side Adjustment

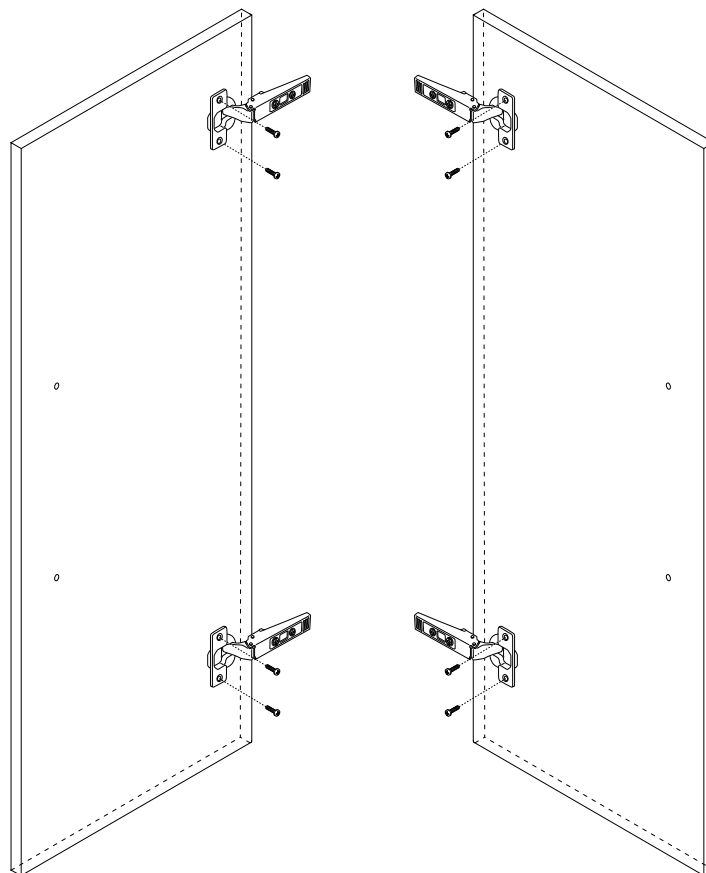


4 Drawer Front – Height Adjustment



STEP 4

DOOR FRONT ATTACHMENT



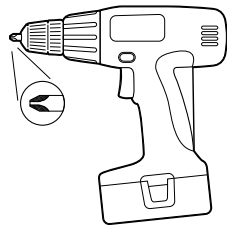
STEP 4 - ATTACHING HINGES

BEGIN HERE!

1. Arrange and identify all Door Sets (STEP 4)
Note that one box contains one complete set

To complete this step you will require:

Cordless Drill



3.5mm metal drill bit
suitable for aluminium
(not supplied)



NOTE: screws to be found as part of hardware bag in
your drawer front box

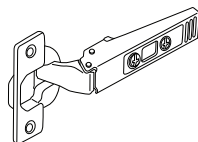
HANDLES X 2
(2 drawer cabinets)



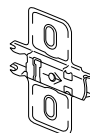
X 4 shelf supports



X 4 DOOR HINGE
(X 2 for single door
cabinet)



X 4 HINGE PLATE
(x 2 for single door
cabinet)



X 8 FOR DOOR FRONTS
Stainless M4 Countersunk



STEP 4 - ATTACHING HINGES

1

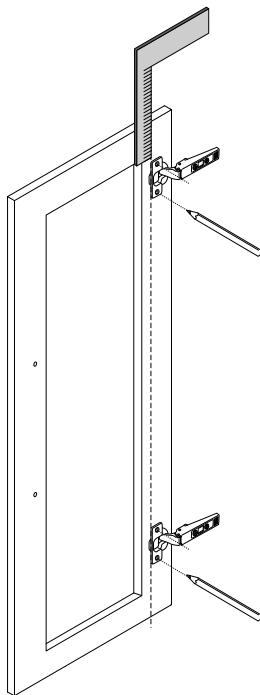
Screw hinge base plate onto cabinet.

NOTE: Cordless drill required for this step.



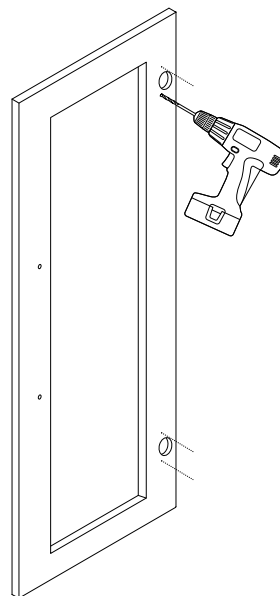
2

Accurately mark hinge holes
X4



3

Accurately drill hinge holes
X4

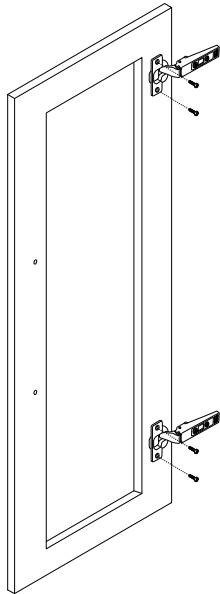


IMPORTANT!
3.5mm
metal drill bit
suitable for
aluminium
(not supplied)

STEP 4 - ATTACHING HINGES

3

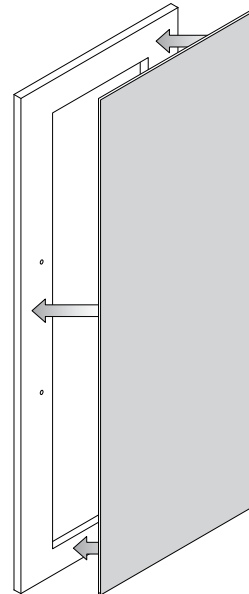
Screw M4 countersunk to door.



back view

4

Adhere door insert to front of frame.



front view

Recommended



5

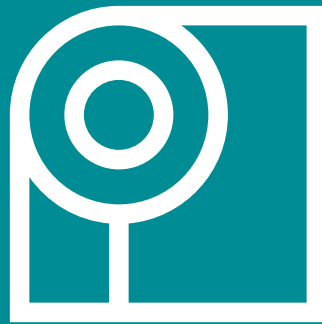
Attach doors to cabinet.



6

Adjust as required. Your door hinges can be adjusted vertically and horizontally to adjust gaps and alignment.





Profresco
OUTDOOR LIVING

Profresco Outdoor Living
Unit 9, LDL Business Park, Station Road West Ash Vale
United Kingdom, GU12 5RT

The material in this manual is copyright. You may not, display, print, upload or reproduce material in this manual in any format.
It is only for your personal reference, non-commercial use or use within your organisation.
USA and International Patent Pending.