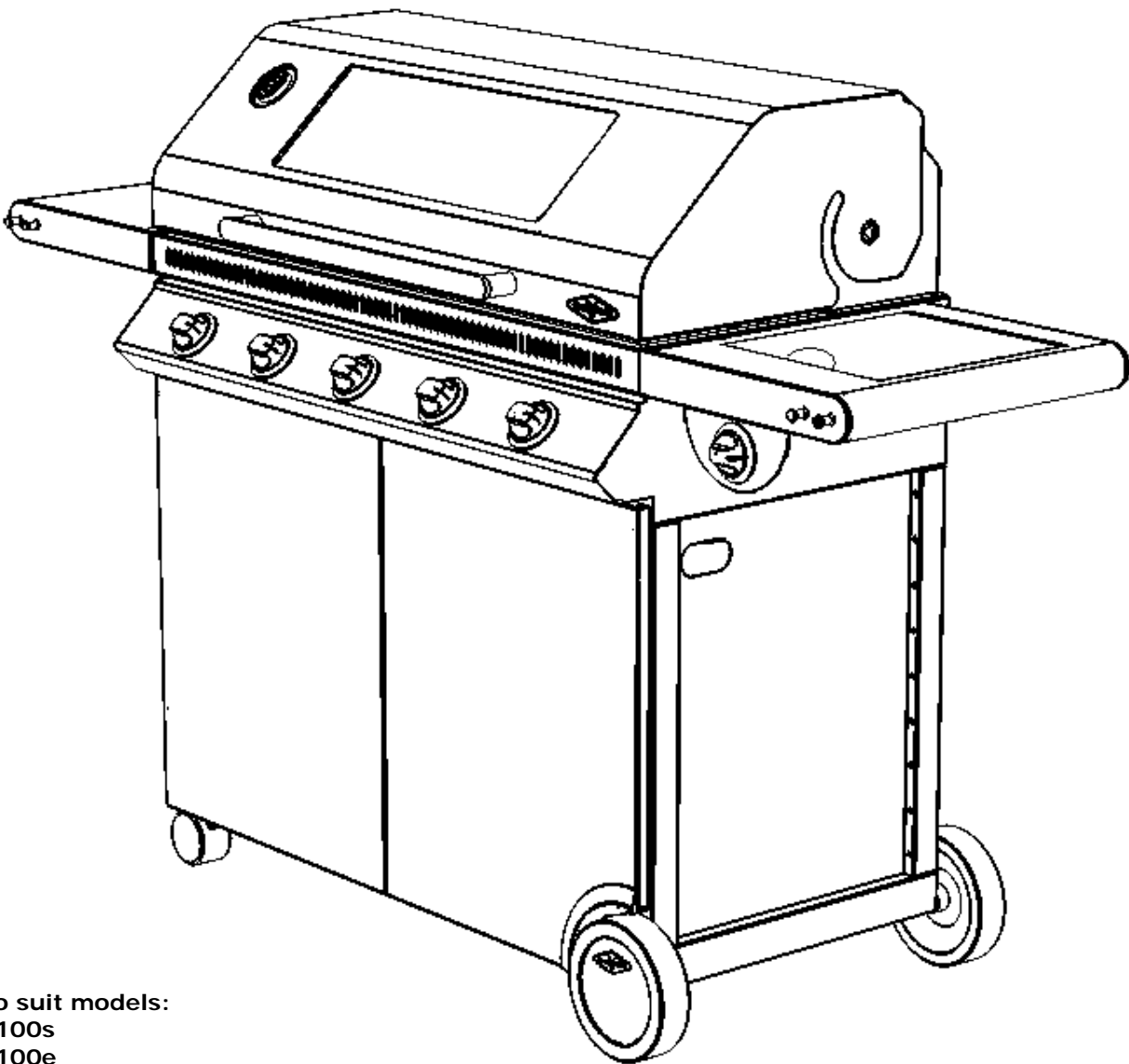


CE

Discovery 1100 Series

Cabinet trolley Assembly Instructions



To suit models:
1100s
1100e
1100

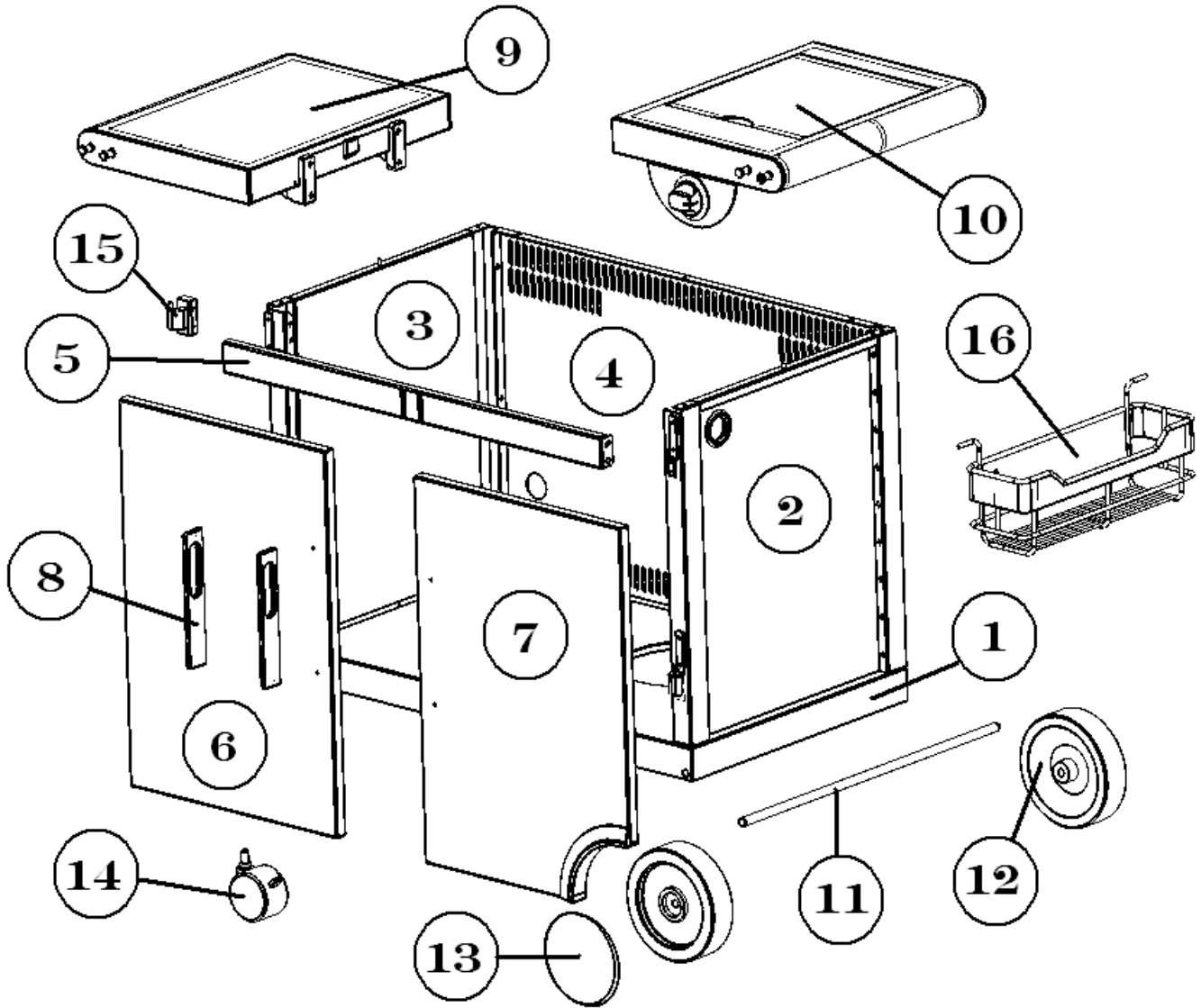
2, 3, 4 or 5 Burners

FOR OUTDOORS USE ONLY



Serious Barbecues

Content:



Mrk	Qty	description
1	1	Base Panel
2	1	Right Hand Side Panel
3	1	Left Hand Side Panel
4	1	Rear Panel
5	1	Top Front Brace
6	1	Left Hand Side Door
7	1	Right Hand Side Door
8	2	Door Handle
9	1	Side Shelf
10	1	Side Burner
11	1	Wheels Axel
12	2	Wheel
13	2	Wheel Hub Cap
14	2	Castor
15	2+2	Door Hinge
16		Condiment Basket (optional)

Bolt Pack Content

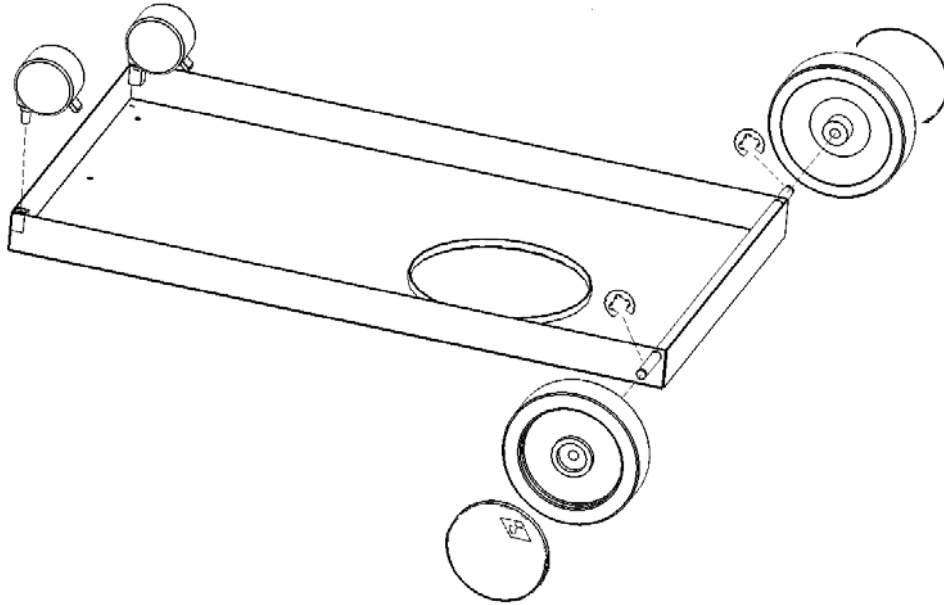
Mrk	Qty	description
A	2	Circlips
B	29	M6 x 12 screw
C	33	M6 washer
D	8	M5 x 10 countersunk screw
E	2	Rubber grommet
F	8	Fiber Washer
G	8	M6 x 25 Screw
H	4	Magnets
I	1	Gas Hose

1100 Series Assembly Procedure

Step 1

2 x 'A'

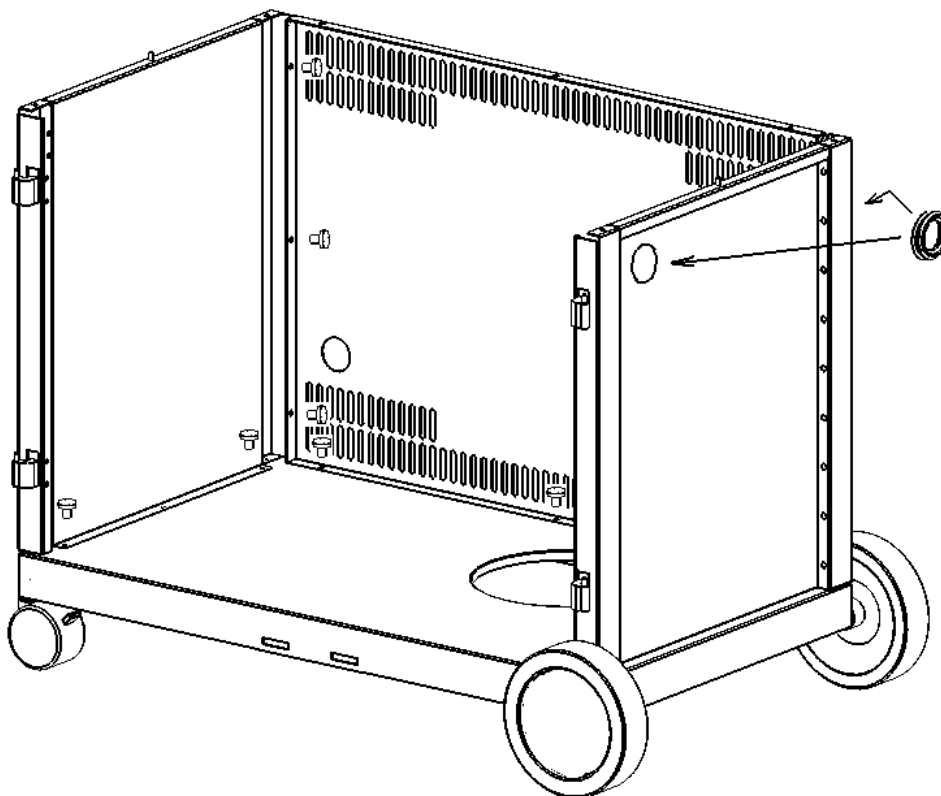
GB	Turn the Base Panel upside-down, insert the Wheel Axel through the 2 holes, and place a wheel on each side. Secure with a circlip on outside of wheel. Place Cap. insert each castor to its place in the other 2 corners



Step 2

13 x 'B', 13 x 'C', 2 x 'E', 2 x 'H'

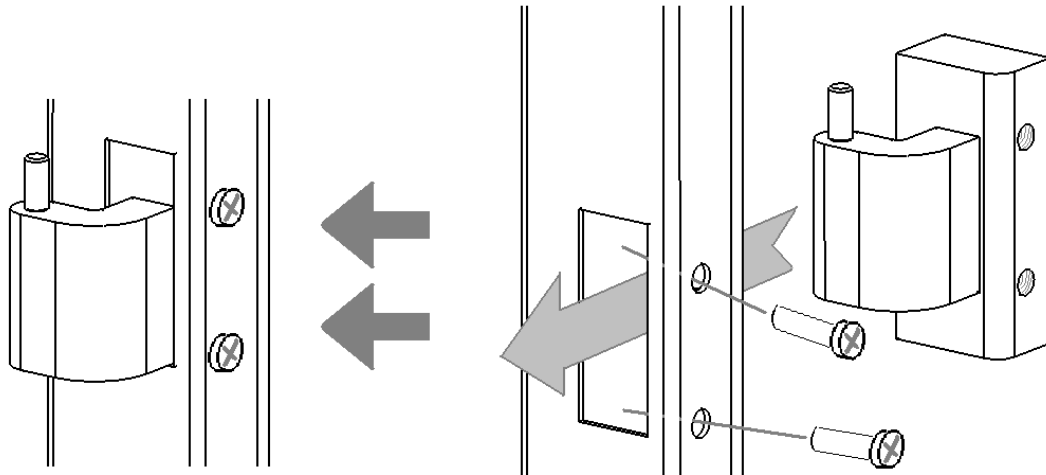
GB	Turn the base back upright, and attach the side and back panels. Insert grommet in side and rear panel holes. Insert magnets.



Step 3

8 x 'D'

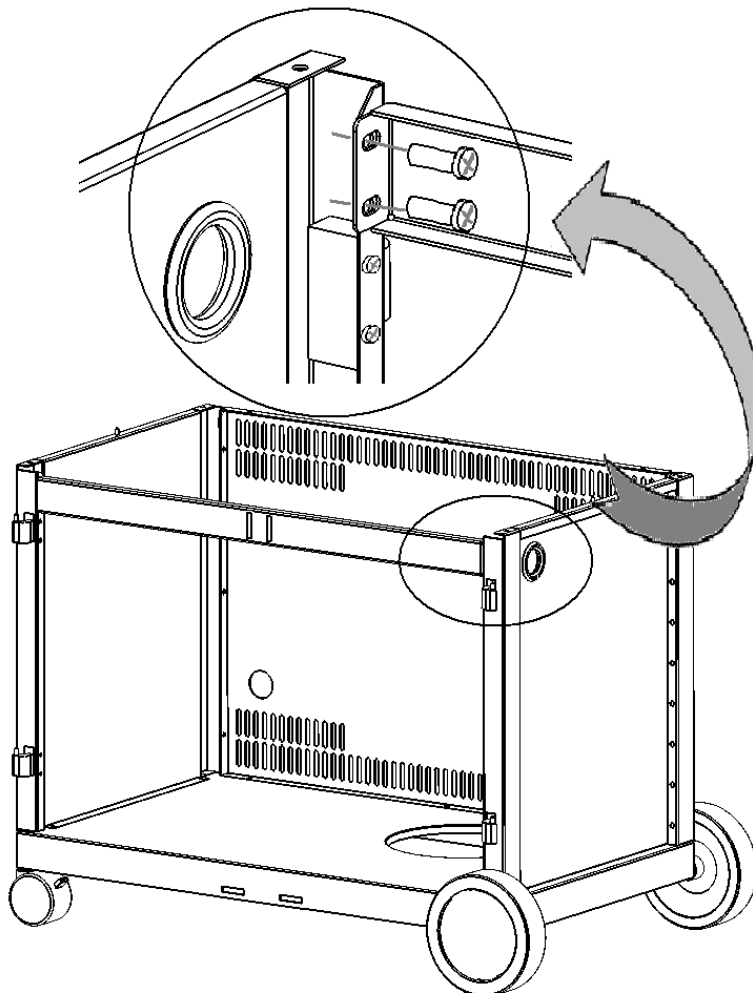
GB	If required, attach the Hinge Blocks to front of side panels. Note: the block should be on the inside, with only the small bends protruding out.



Step 4

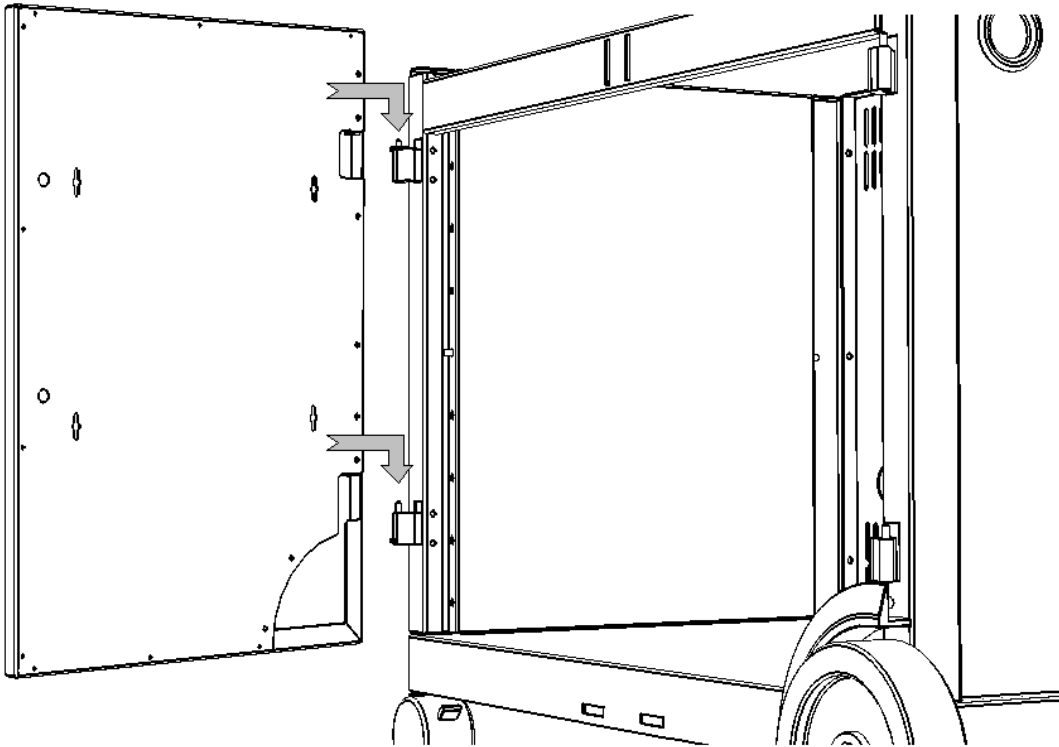
4 x 'B', 4 x 'C', 2 x 'H'

GB	Attach the Top Brace. Do not tighten. That will be done after fitting the doors. Insert magnets



Step 5

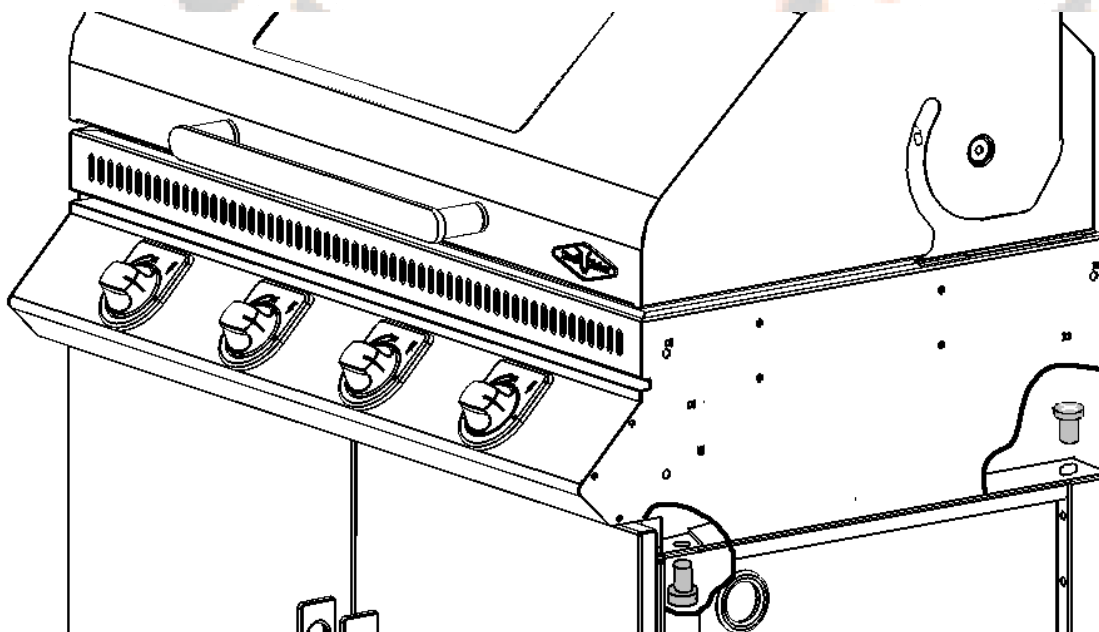
GB	Hold each door at ~60° open angle, and insert through opening at door internal skin over the hinge block pins. Ensure correct engagement in both brackets simultaneously.



Step 6

4 x 'B', 4 x 'C'

GB	Remove all loose parts from inside the Barbecue. Place the Barbecue over the trolley and attach with screws. Ensure the lugs in the middle of trolley side panels engage with corresponding slots in BBQ body.



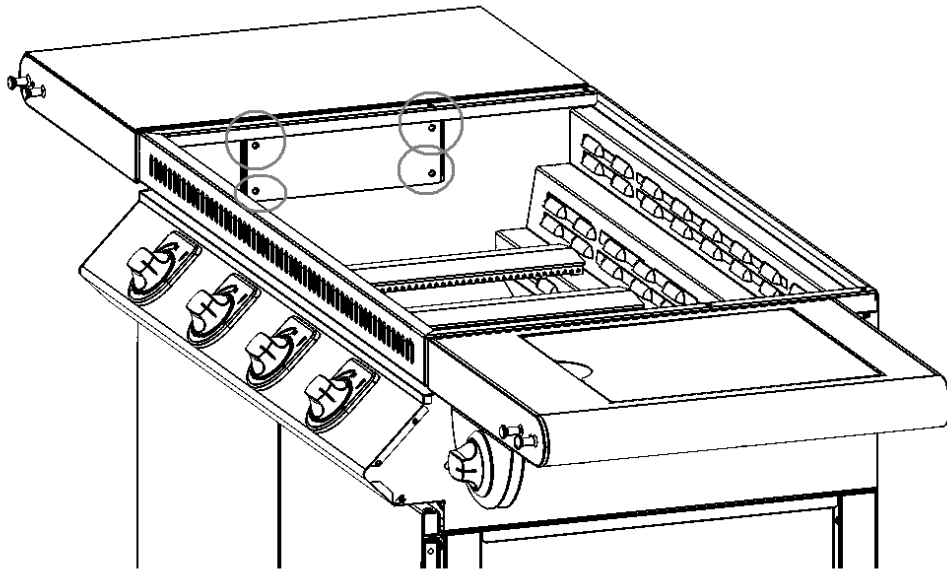
Step 7

GB	Adjust the Top Brace (from step 4) to right position, so the doors are closing straight, and tighten the 4 screws.

Step 8

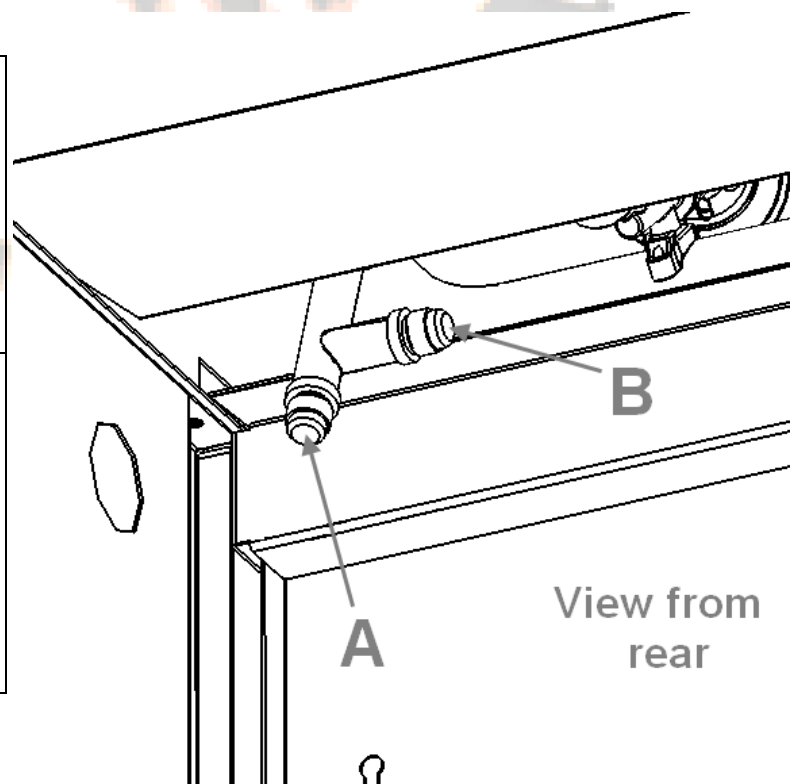
8 x 'G', 8 x 'F'

	Fit the shelf and Side Burner (or 2 shelves) to the side of the Barbecue. Note: screws to go from the inside of barbecue body out.



Step 9

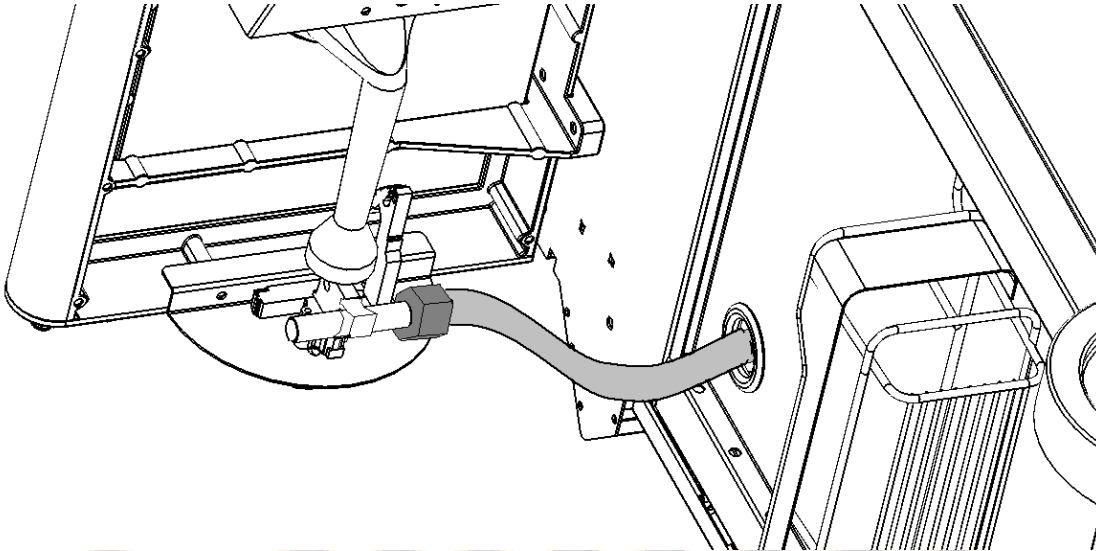
GB	<p>Make gas connections and conduct Leak-Test. Regulator to be connected to entry 'A'. Entry 'B' remove cap and connect Side-Burner hose, if required. Refer also to Barbecue book P. 4 for Leak-Test procedure.</p>



Step 10

1 x 'I'

GB	If connecting Side Burner, the hose is attached to inlet 'B' above, and connected to Side Burner manifold as follows:



Warranty

Warranty terms and condition in BBQ Instructions book apply to this trolley as well. All parts and workmanship of this trolley are covered for a period of 1 year from date of purchase.

Technical Information



Note: Do not modify this appliance or any of its parts. Any deviation from factory settings could result in a safety hazard.

Side Burner manifold inlet thread is 3/8 SAE male flare fitting.

Country	BE, CH, ES, FR, GB, GR, IE, IT, PT	CY, CZ, DK, EE, FI, LT, LV, MT, NL, NO, SE, SI, SK, BG, RO, TK	DE, AT, CH	CY, CZ, DK, EE, FI, LT, LV, MT, NL, NO, SE, SI, SK, BG, RO, TK, BE, CH, ES, FR, GB, AT, CH, GR, IE, IT, PT	DE
Gas Category	I ₃₊	I _{3B/P}	I _{3B/P}	I _{2H}	I _{2E}
Gas Inlet Pressure [mbar]	Butane: 28-30 Propane: 37	30	50	20	20
Injector Ø [mm]	1.05	1.05	0.90	1.50	1.50
Energy:	4.5kW	4.5kW	4.5kW	4.5kW	4.5kW

For your records:

Model Number: _____

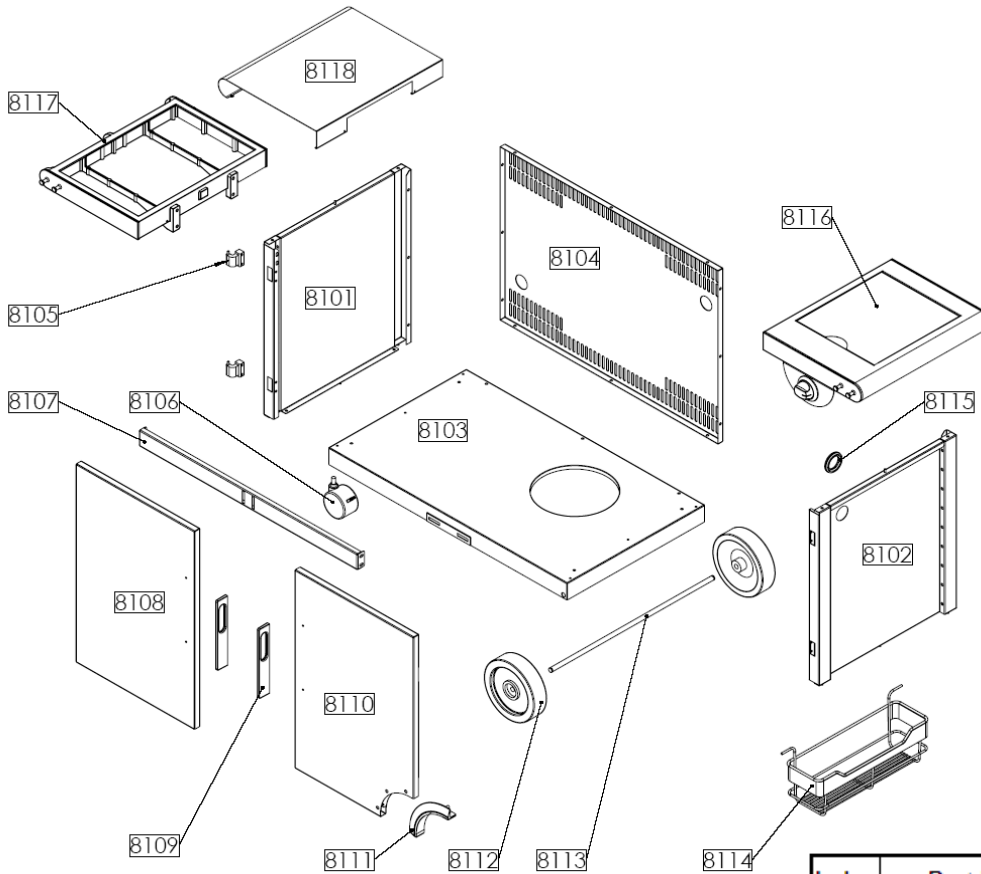
Date of Purchase: _____

Place where purchased: _____

Serial Number: _____

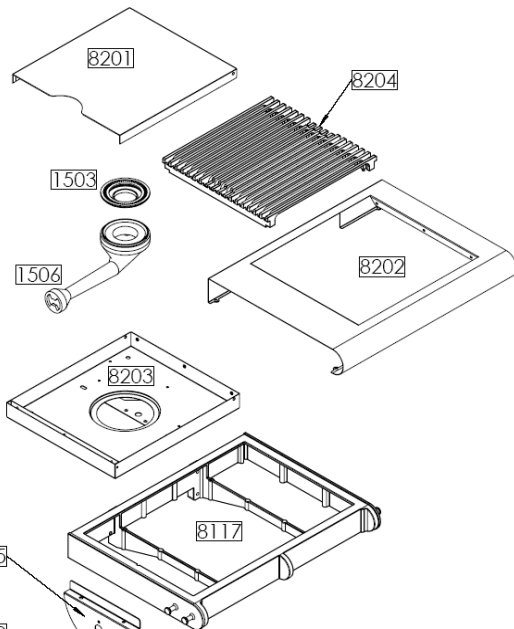
Images in this manual are for illustrative purposes only. Due to constant improvement, BeefEater advises that changes to the design, material, specifications and product configuration may occur at any time without notice.

Spare Parts:

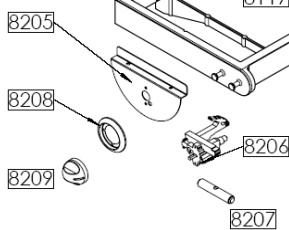


Index	Part No	Description
8101	DIS2753	Side panel LH
8102	DIS2752	Side panel RH
8103	DIS2748 xB	Base panel
8104	DIS2751 xB	Rear panel
8105	DIS2812	Hinge block (Left/Right)
8106	060226	castor w brake
8107	DIS2793 xB	Top Brace
8108	DSI2758 xB	Door LHS (1100e, 1100e)
	DSI2852 xB	Door LHS (1100)
8109	DSI2840	Door handle
8110	DSI2755 xB	Door RHS (1100s, 1100E)
	DSI2853 xB	Door RHS (1100)
8111	DSI2757	Wheel trim (1100s, 1100e)
8112	060506	7" wheel w. cap
8113	DIS2750	Wheel Axle
8114	180221	External Basket
8115	DIS2698	Grommet
8116	DIS2762	Side burner (1100s, 1100e)
	DIS2782	Side burner (1100)
8117	DIS2761	Side Shelf frame (1100s, 1100e)
	DIS2777	Side shelf (Discovery 1100)
8118	DIS2769	Wrapper side shelf
--	DIS2856	Magnet
--	DIS2857	Bolt pack
--		Instruction Book

x - 3, 4 or 5 Burners



Index	Part No	Description
1503	DSI2166	Burner cap
1506	DSI2209-1	Cast iron burner
8117	DIS2761	Side frame (cast Al)
8201	DIS2764	Lid SB
8202	DIS2763	Wrapper SB
8203	DIS2765	Chassis side burner
8204	DIS2768	Trivett
8205	DIS2766	Knob bracket
8206	DIS2858	Valve 0" 1.05mm with ignition
8207	DSI2670	Manifold SB
8208	060545	Bezel
8209	060543	Knob SB (metal for 1100s)
	060542	Knob SB (phenolic for 1100e)
8210	060514	Bezel
8211	DIS2859	Hose 800mmx3/8"
--		Instruction book



Index	Part No	Description
1502	DSI2188	Trivett
1503	DSI2166	Burner cap
1506	DSI2209-1	Cast iron burner
3007		Bezel (900S)
8201	DIS2764	Lid SB
8205	DIS2766	Knob bracket
8206	DIS2858	Valve 0" 1.05mm ignition GDA
8207	DSI2670	Manifold SB
8209	060543	Knob SB (metal for 1100S)
8301		Side burner welding
8211	DIS2859	Hose 800mmx3/8"
--		Instruction book

