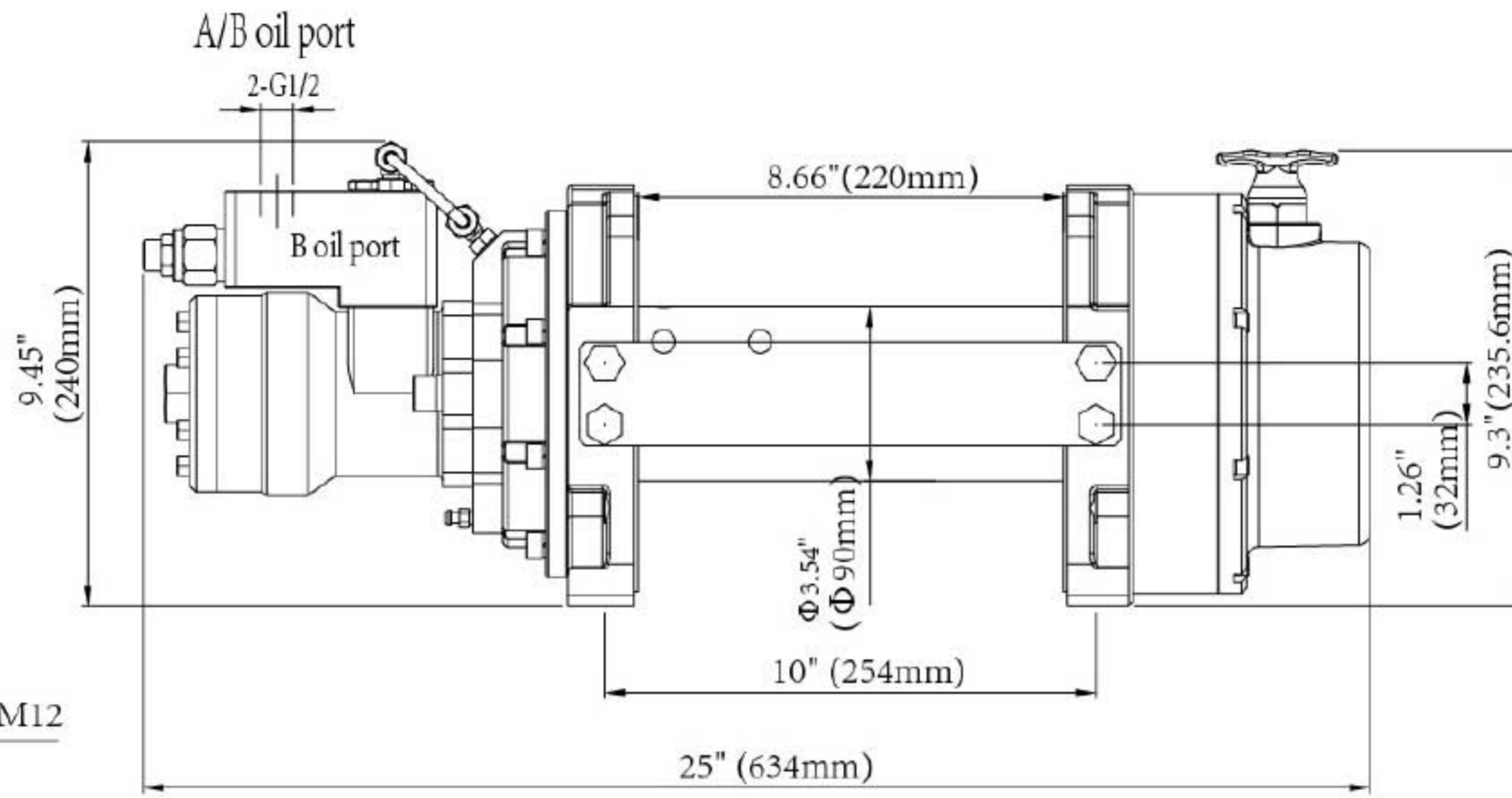
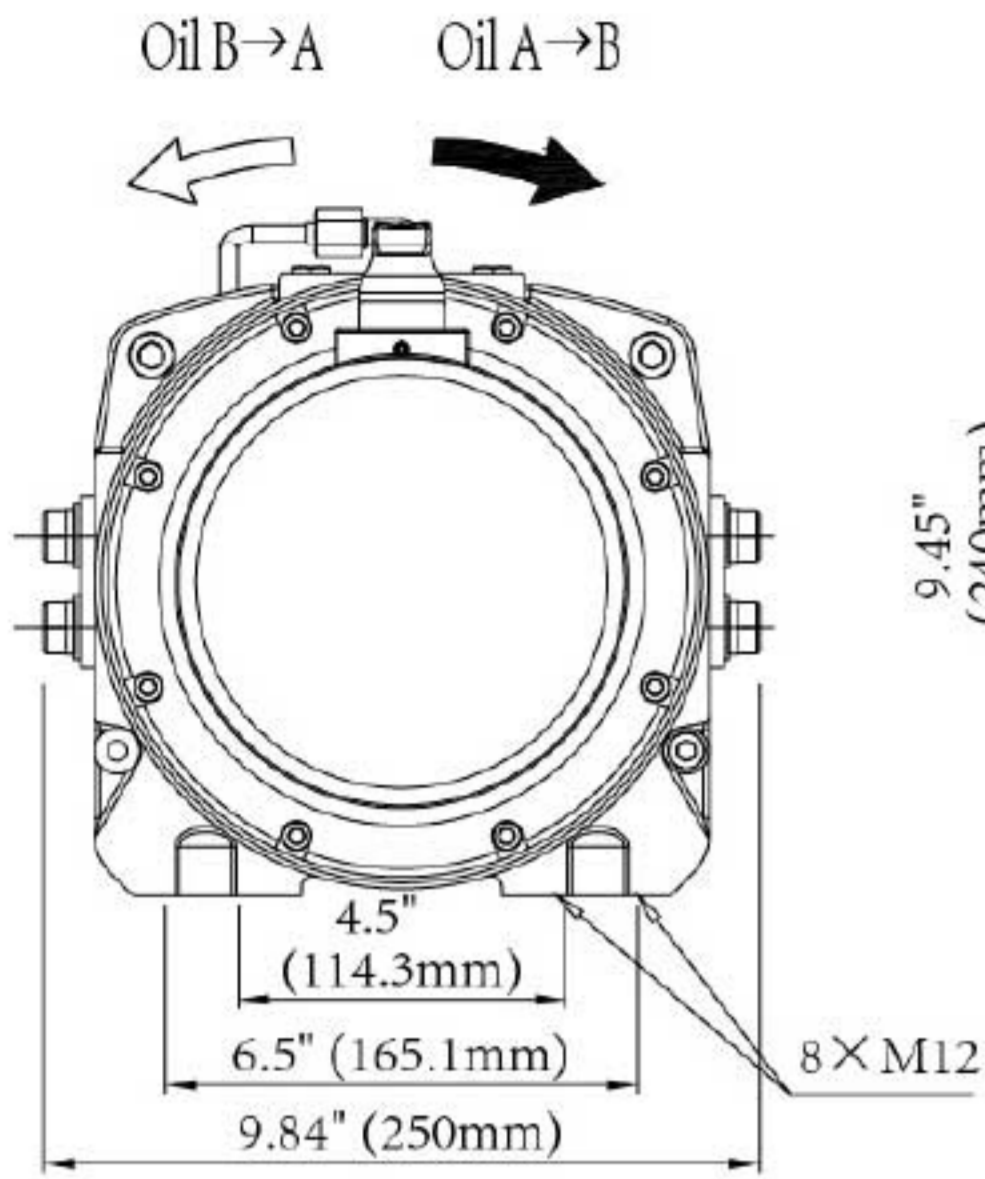
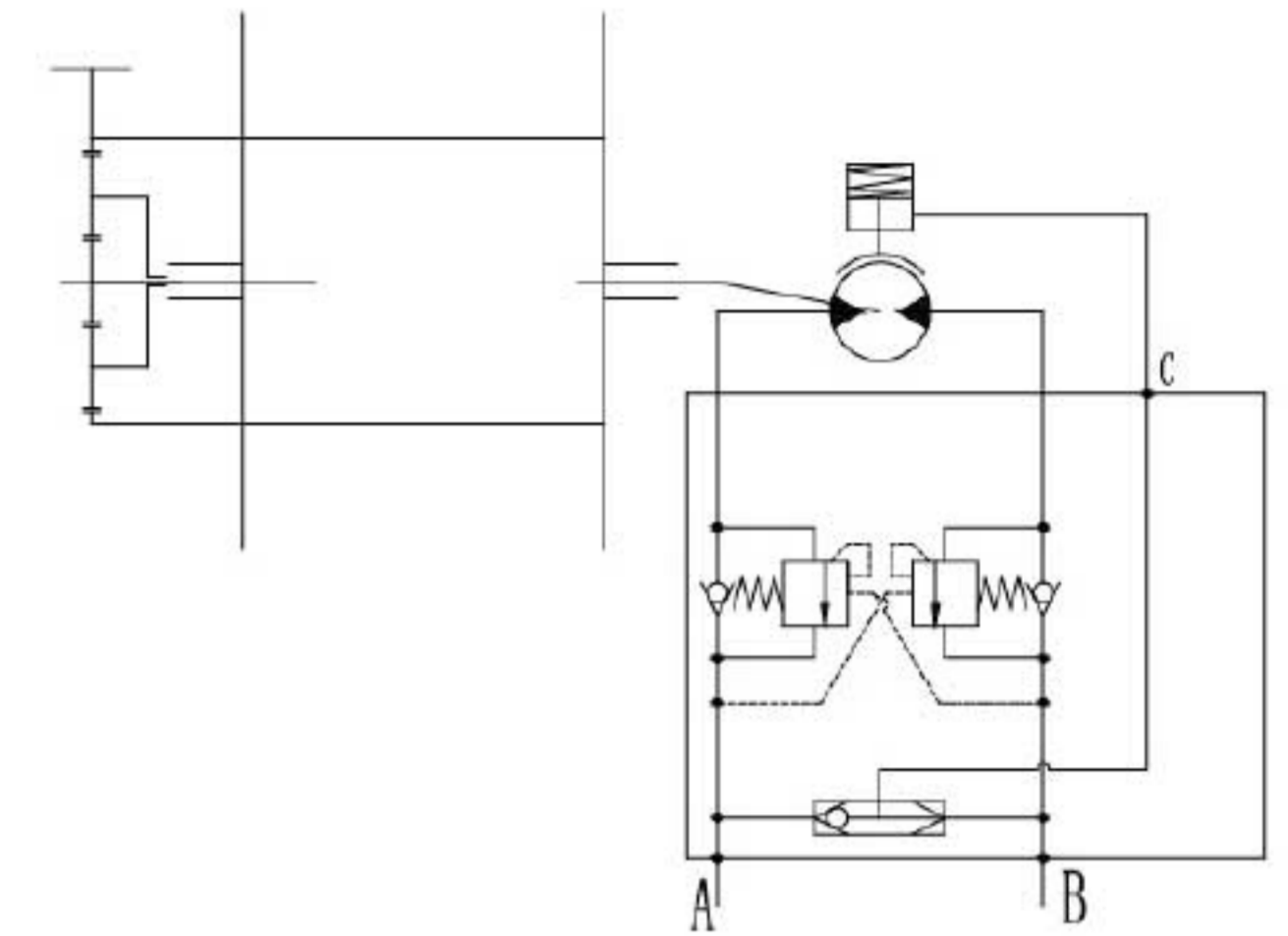


HEN10000 - 8000



PNEUMATIC CLUTCH

Air pressure range (bar)	1~8
Ventilation volume (L/min)	1



SPECIFICATION

Model	First layer line pull		First layer line speed		Working pressure diff.		Oil flow supply	Gear ratio
	lbs	kg	fpm	mpm	psi	MPa	l/min	
HEN10000	10000	4540	19.7	6	1885	13	60	16.9:1
HEN8000	8000	3632	27.9	8.5	2030	14	60	16.9:1

Model	Wire rope dia.		Layer	Wire rope capacity	
	inch	mm		ft	m
HEN10000	Φ13/32"	Φ10.3	4	98.4'	30
HEN8000	Φ3/8"	Φ9.2	4	114.8'	35

PERFORMANCE

Model	Layer of cable	HEN10000					
		Rated line pull per layer		Line speed		Wire rope capacity per layer	
		lbs	kg	fpm	mpm	ft	m
	1	10000	4540	19.7	6	22'	6.7
	2	8296	3763	23.6	7.2	47.6'	14.5
	3	7088	3215	27.6	8.4	75.8'	23.1
	4	6188	2807	31.5	9.6	98.4'	30

Model	Layer of cable	HEN8000					
		Rated line pull per layer		Line speed		Wire rope capacity per layer	
		lbs	kg	fpm	mpm	ft	m
	1	8000	3632	27.9	8.5	24.3'	7.4
	2	6748	3061	33.1	10.1	52.2'	15.9
	3	5835	2647	38.4	11.7	83'	25.3
	4	5140	2332	43.3	13.2	114.8'	35

NET WEIGHT(WITHOUT WIRE ROPE)

Model	Weight	
	lbs	kg
HEN10000	110	50
HEN8000	108	49

VALVE OPTIONS

Model	HEN8000/10000
Valve	NF-060 P2 Y2 S1-001
	NF-060 P1 Y1 S1-001

WARNING:

1. The winch will never be used for hoisting people or hoisting objects above people.
2. Do not use clutch under load.
3. Do not equip winch into oil supply system which without relief valve.

NOTE:

1. Recommended oil flow supply range is 35-60 l/min.
2. Dual balance valves as standard, winch must be used in Independent oil supply system which with relief valve.