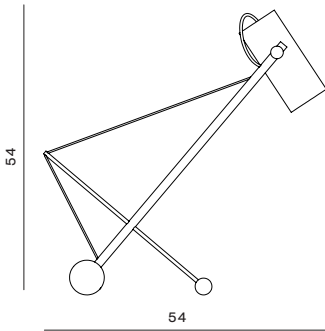


ed049

Reconfigurable table lamp with painted or brass-finished metal structure.

Thanks to the elastic band the lamp can be tilted at will.



Socket: GU10 PAR16
Voltage: 110/240V



ed049.01

brass



ed049.02

black



ed049.03

black
brass