



When visiting Japan, designer Monica Armani was fascinated by the signs and shapes of their classical architecture, from votive temples to everyday objects. Curved lines like brushstrokes, precise and ethereal at the same time, also incorporated into the Japanese writing system, were the inspiration for the new UKIYO collection.

“I was inspired by the signs and the sophisticated Japanese culture, especially their eye for detail which also describes my design aesthetic. I worked on the balance between curved and taut lines and the visual weight of each element that concludes this collection.” – Monica Armani

UKIYO is a warm and welcoming collection that remains etched into your memory, interpreting the exclusive and refined style of Tribù.

MATERIALS

- Frame: plantation teak from Java
- Table top: ceramic, teak

CUSHIONS

The filling has a cover in a laminated, water-repellent polypropylene material which prevents water from penetrating. The thread used to stitch the seams swells when getting wet, preventing water from penetrating through the seams. Moreover, the seams are protected on the inside with an extra covering. If nevertheless water should penetrate, the material is breathable, letting moisture out to prevent moulding. Fabrics available in category D, E & F.

COLOURS

Teak



COLOURS TABLE TOP

C10-Linen



C15-Sabbia



*C80-Scisto



C89-Piombo



Teak

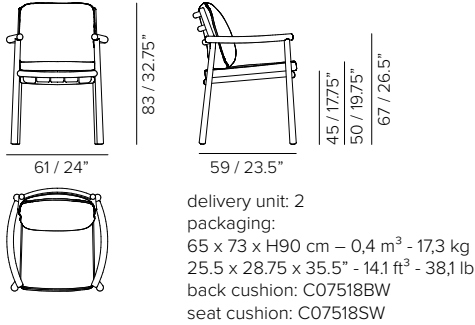


*This colour may possibly show delicate veins.

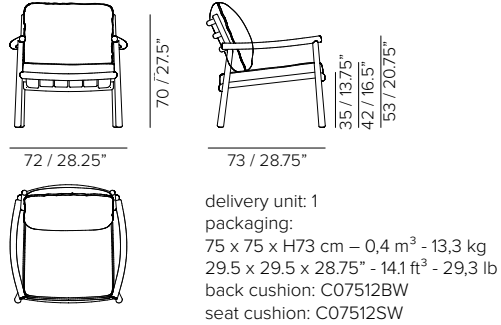
UKIYO

TECHNICAL DRAWINGS

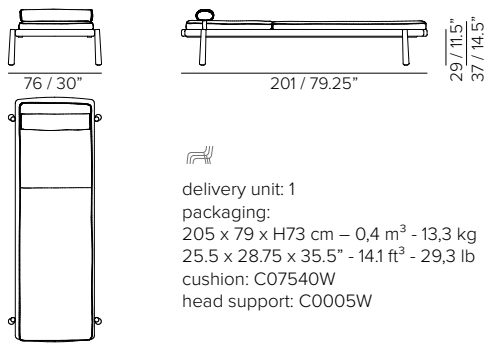
07518 Armchair



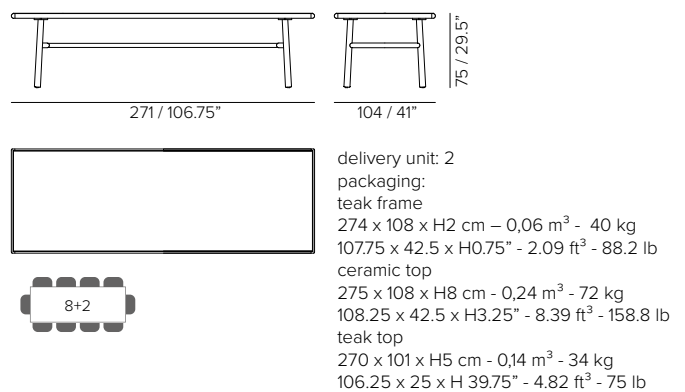
07512 Lounge chair



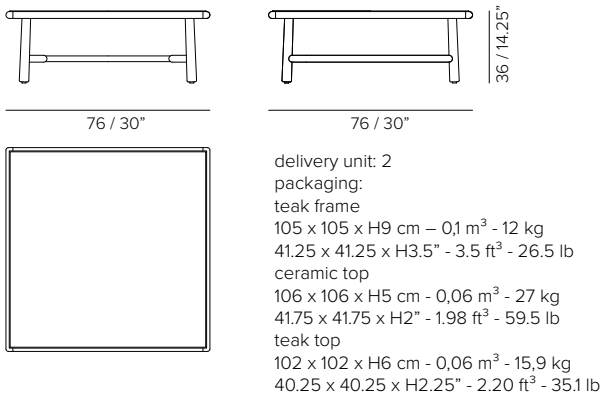
07540 Lounger



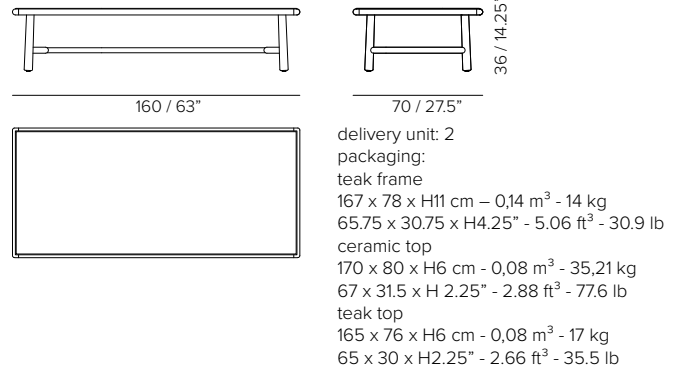
07553-x Dining table



07586-xx Coffee table



07588-xx Low table



PROTECTION COVERS

For each item a cover is available that protects the furniture against dirt. These covers in grey colour are made of PU coated polyester which is water-repellent and UV-resistant. Thanks to their excellent breathable qualities the covers reduce condensation and heat build-up, helping to prevent the formation of mold and mildew. Nevertheless, they are not 100% waterproof. Always make sure that furniture, cushions and covers are completely dry before covering furniture.

D7271-101-A/B/C

07586 - D7586

07588 - D7588

MAINTENANCE

Teak

Treat new teak with Teak Protector 4 à 6 weeks after installation. Teak Protector applies an invisible film that prevents stains and green deposit. Soiled teak can be cleaned with Teak Super Cleaner. Leave the furniture to dry completely and then apply Teak Protector. To avoid labour-intensive cleaning, you can treat the wood with Teak Sealer. A simple cleaning with water and a ph-neutral soap will do for many years. Teak Sealer contains UV protection to slow down the graying from the sun as well as a fungicide to prevent the growth of mold and mildew.



D9914
Teak Super
Cleaner



D9912
Teak Protector



D9959
Teak Sealer