



LPH898

La Lampe Paris

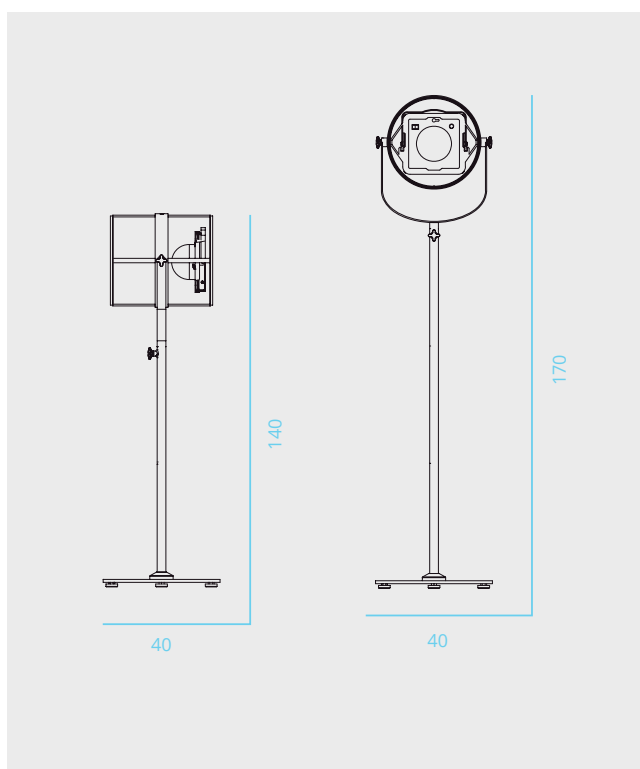


Colour

- Charcoal
- White
- Light Taupe
- Taupe
- Orange
- Lemon
- Fire Red
- Cyan
- Cornflower Blue
- Navy Blue
- Spring Green
- Jade Green
- Fern Green

Body Colour

- Charcoal
- White



In Detail

[See it on the web](#)

Dimensions

Width: 40 cm
Height: 140 cm
Depth: 40 cm
Extended Height: 170 cm
Weight: 12.6 Kg

Packing Information

Width: 44 cm
Height: 44 cm
Depth: 44 cm
Gross Weight: 14.1 Kg
Pcs. per Carton: 1

Materials

Body: Aluminium
Finishing: Powder Coated Paint
Shade: Batyline®

Solar Module

Lumen: 300
Colour Temperature: 2700°K
Autonomy: 5-9 hours
Charging Time: 6 hours
Lifetime: 1000 Cycles
Charging Time USB (1.5A): 6 hours
Bluetooth: 4.0