



## Manual Height Adjustable Stationary Geriatric Chair with Tray 60/1002/A

### Hospital chair Assembly Instruction

1. Take the backrest, tray unit, and chair out from the carton.
2. Align the backrest tubing to the frame (A direction) and push in. Tighten the knob which in the bottom of seat rest when the backrest is on appropriate position.  
The backrest assembly is completed. (Figure 1)

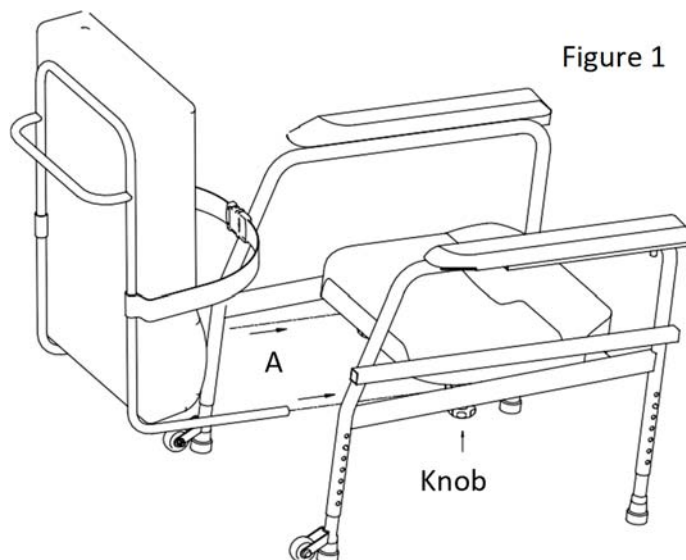


Figure 1



1. Put the two side tubes of tray into the frame, pull down the tray knob, and release the tray knob until tray is on proper position. (Figure 2)

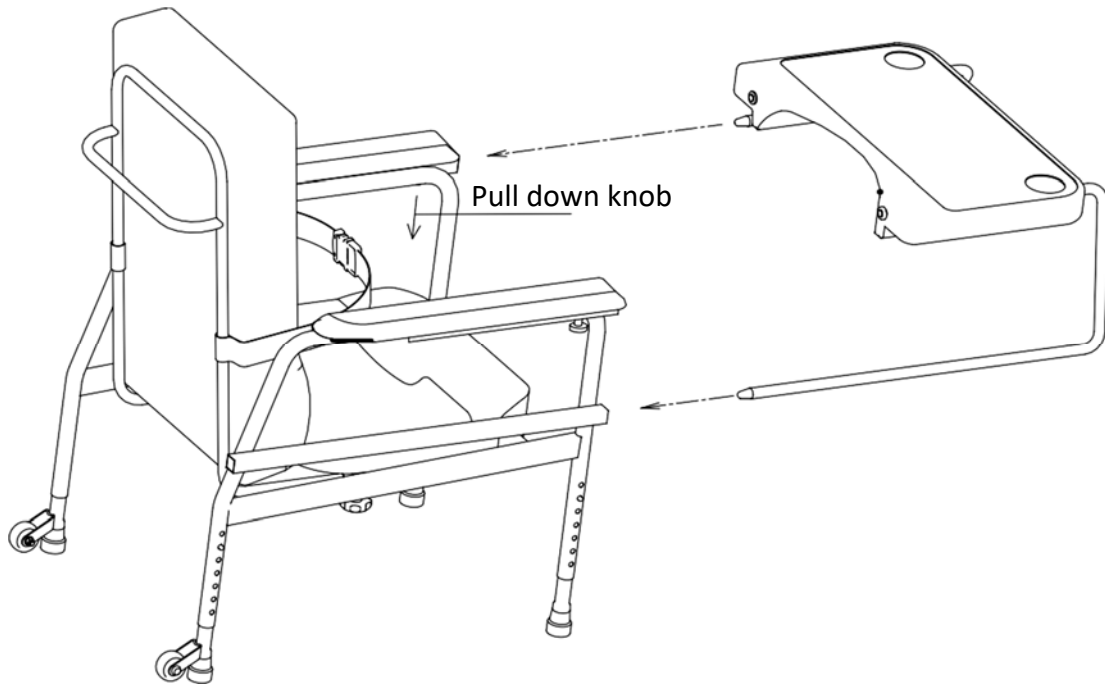


Figure 2

Assembled: Figure 3

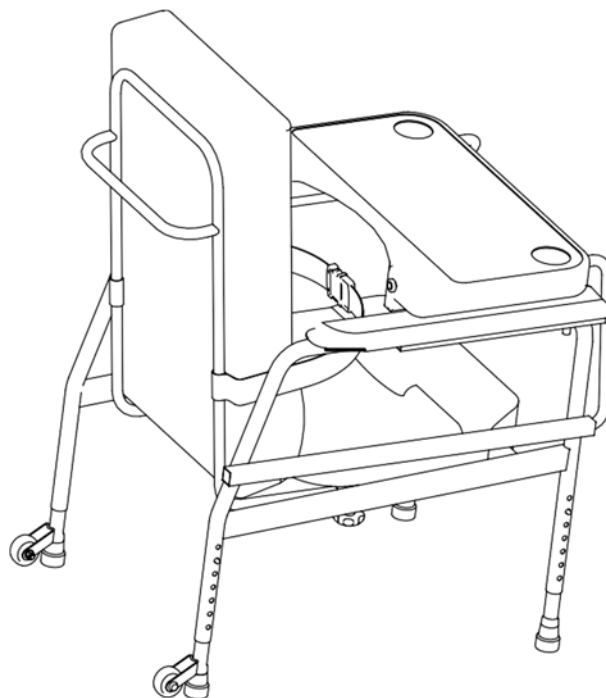
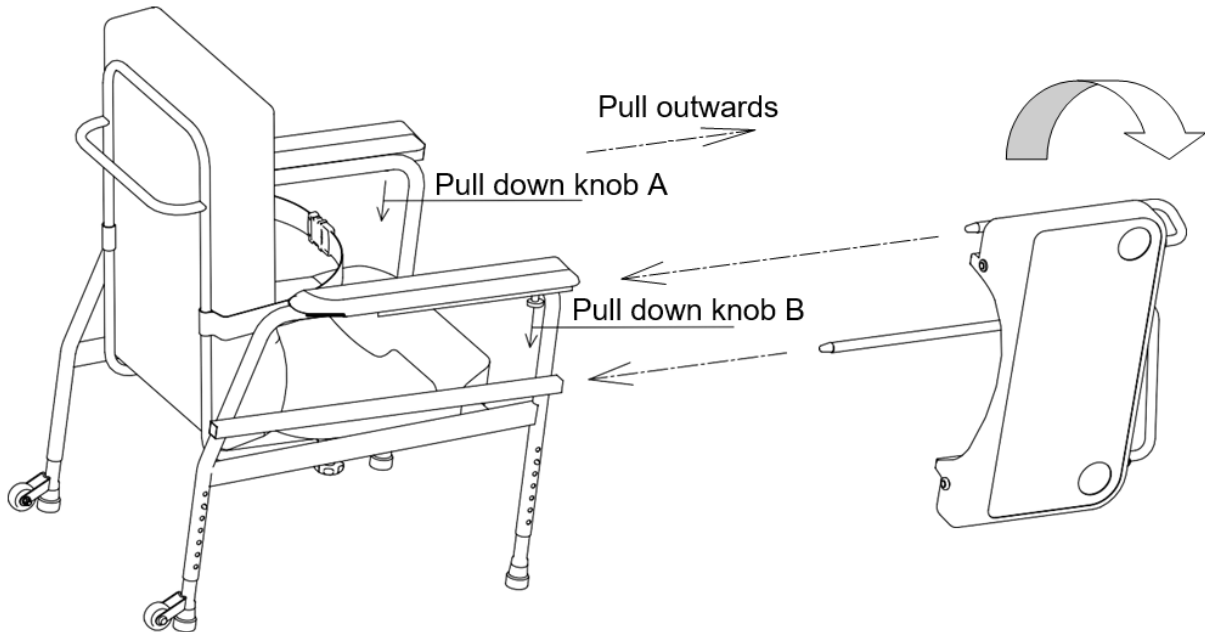


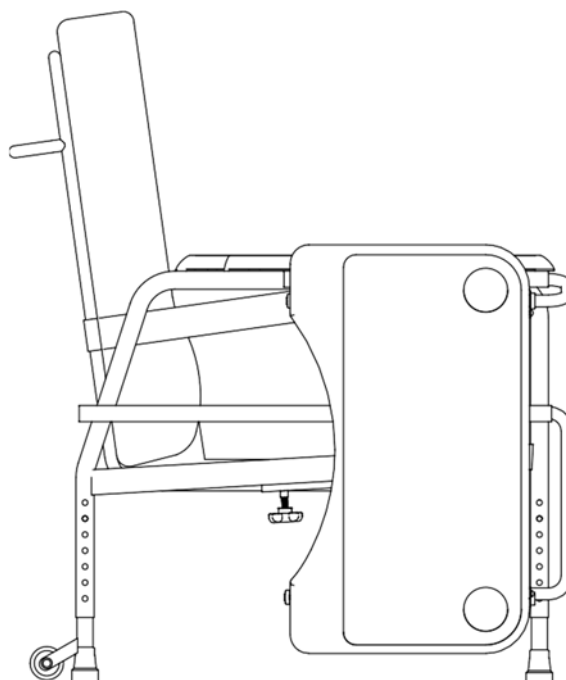
Figure 3



1. When the tray needs to remove, pull down the tray knob A and rotate the tray to another side. Align corresponding hole to tray tubes, meanwhile, pull down tray knob B and push in the tray until last hole position and release tray knob B.

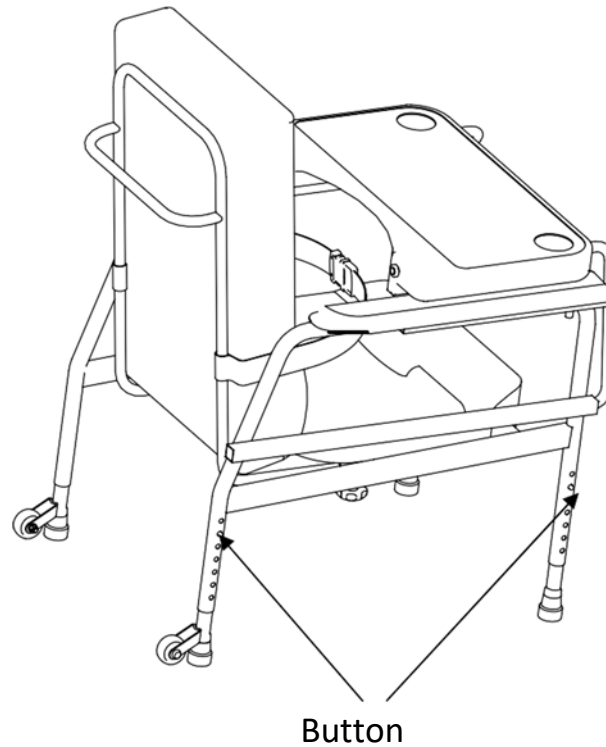


Tray assembled:





### 3. Height adjustment:



Push the button of adjustable tube on frame to adjust the height. Pull down the tube makes the chair height higher; pull in the tube make the chair height lower. Four leg tubes must be at the same horizontal position to make the chair balance.

### 4. Maintenance and cleaning:

- Keep the chair surface clean and adjust the height to the lowest position when not using the chair. For long time storage, please put plastic bag to cover the chair and put in ventilation place.
- To move the chair, please always raise from the ground. Do not drag.
- Don't put heavy article or sit on the armrests.



**Lifeline Corporation Pte Ltd**

130 Joo Seng Road #02-02 / 03. Singapore 368357

Tel: 6289 2062 • Fax: 6289 6096 • e-sales@lifeline.com.sg



For upholstery maintenance and stain removal, the following hints will be helpful:

- Ordinary dirt: Wipe with warm water and a mild soap or detergent.
- Stubborn dirt: Using a soft bristle brush, follow directions above.
- Ground-in dirt: Scrub with powdered cleanser or similar detergent.
- Chewing gum: Scrape carefully; remove with kerosene or naphtha.
- Tars, Asphalt, Creosote: Remove to prevent staining.

Clean area with Kerosene or naphtha.

Caution: When using kerosene or naphtha, do so in a well ventilated area and keep away from fire and flame.

- Paint, shoe polish, heel marks: Remove immediately!  
Use a white cloth dampened in kerosene, naphtha or turpentine.  
Do not use paint remover or liquid brush cleaners.
- Ball point pen: Blot immediately with a white cloth dampened in water or mineral oil.
- Waxing and refinishing: Improver wearability.  
Use any quality paste wax.

A diluted solution of 10% (or less) of bleach or Clorox may be used when cleaning this chair.