

TC-2000v Aspirator Manual

CAUTION: United States law restricts this device to sale by or on the order of a physician or practitioner licensed by the state in which he/she practices. Please read this manual carefully before using this device.

Important Safety Precautions

To reduce the risk of electrocution, burns, fire, personal injury and/or property damage please follow all precautions listed below:

Intended use:

- Use this product only for its intended use as described in this manual.
- Use only manufacturer recommended accessories and attachments.
- Do not disassemble this device or attempt to modify it in any way.
- Do not insert foreign objects into any openings on the device or into any attached tubing.

Training required:

- Use this product only after receiving thorough instructions from trained medical professionals. Follow all guidelines and instructions as provided by your doctor and as stated in this manual.
- Do not allow children or untrained individuals to operate this device.
- Only operate this device when fully alert. Never use when drowsy or when mentally impaired.

Operating environment and conditions:

- Do not operate this product if it has been dropped or damaged, or if the product is not working properly.
- Only plug into a wall (or mains) outlet with a voltage matching the requirements of this device. The device's voltage requirements can be found on the device label located on the underbelly of the device. Do not plug into a wall (or mains) outlet when the power cord or plug is damaged.
- When plugged into a wall outlet, do not leave the device unattended. Unplug immediately after each use.
- Do not operate outdoors.
- Do not immerse in water or liquid of any kind. Avoid using or storing this product in locations (e.g. near sinks, showers, tubs) where there is a risk the product may become immersed in liquid. If accidentally immersed (partially or fully) in water, unplug the device before touching either the device or the water in which the device is immersed. Do not use product again until the device has been properly serviced.
- Keep power cord away from heated surfaces.
- When operating and cleaning unit, gloves should be worn at all times.
- Device is MR Unsafe. This device must not be used in an MRI environment. Further the device shall not be placed or operated in the following environments or near the following devices: CT, diathermy machine, RFID transmitters, electromagnetic security systems (such as metal detectors).

Product Introduction

Intended Use

This product is a high vacuum/ high flow unit intended to be used by medical professionals or individuals trained by medical professionals for nasal, pharyngeal, or tracheal suction. Prior to using this device, an operator must receive proper training from a certified medical professional on the appropriate use of this device.

Product Specification

Voltage requirements: Refer to device label located on the underbelly of the unit

Max Working Airflow: 30 - 34 l/min

Vacuum: 0 - 90 kPa / 0 - 675 mmHg

Dimensions: L38 x W16.5 x H24 cm

Weight: 4.7 kg / 10.4 lbs

Collection container capacity: 800 ml

Power cord length: 185 cm

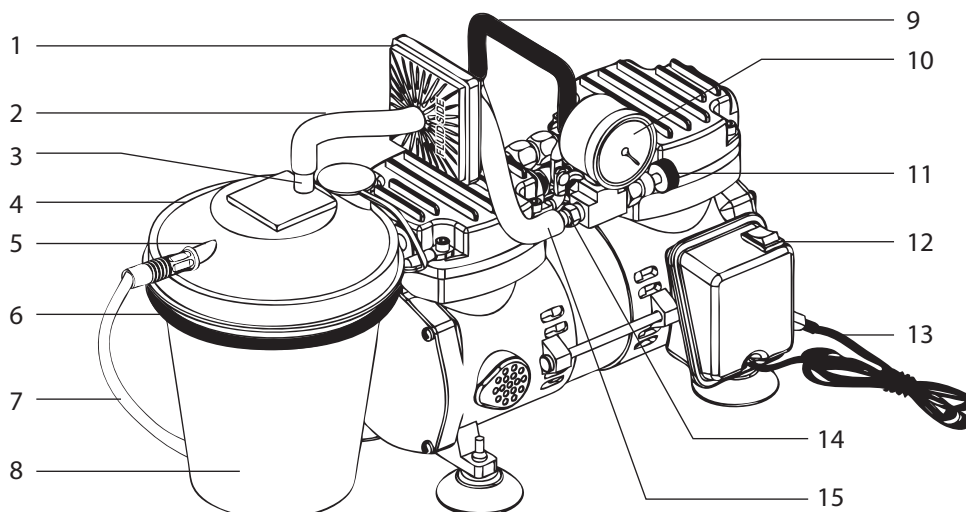
Operating temp: 0 - 40 °C

Operating relative humidity: 0 - 95%

Storage and transport temp: -40 - 70 °C

Storage and transport humidity: 0 - 95%

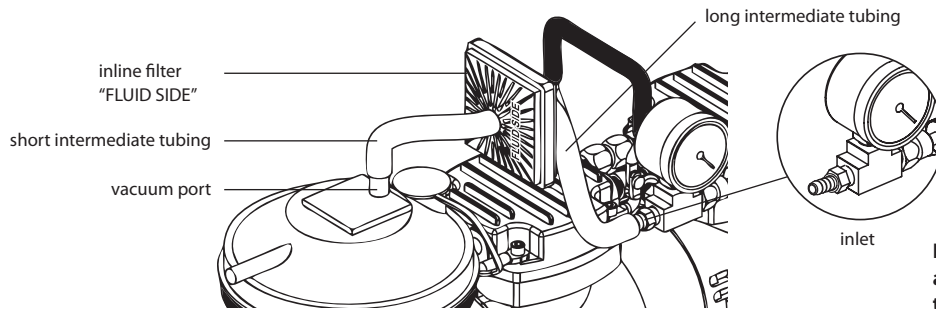
Part List



1. Inline filter
2. Short intermediate tubing
3. Vacuum port
4. Collection container lid
5. Patient port
6. Collection container holder
7. Suction tubing
8. Collection container
9. Handle
10. Vacuum gauge
11. Vacuum regulator knob
12. Power switch
13. Aspirator power cord and plug
14. Inlet
15. Long intermediate tubing

Operation

1. Place the machine on a flat and stable surface. **WARNING:** Inspect power cord. If power cord frayed or damaged, do not use device.
2. Inspect collection container, tubing, and inline filter for cracks or leaks. Replace all damaged accessories immediately.
3. Place the collection container into the collection container holder. Connect one end of the suction tubing to the patient port on the container lid.
4. As shown in the figure below, connect one end of the short intermediate tubing to the vacuum port on the collection container lid and connect the other end of the short intermediate tubing to the "FLUID SIDE" of the inline filter. Connect one end of the long intermediate tubing to the inline filter and the other end of the long intermediate tubing to the inlet of the machine.
5. Check all connections and make sure they are tight and secure.
6. Insert the plug into a wall (mains) outlet with a voltage matching the device's requirements. (See device label located on the underbelly of the device for device's voltage requirements.) Turn the power switch on.
7. Completely cover the open end of the suction tubing, usually with thumb. Turn the vacuum adjustment knob (clockwise to increase vacuum pressure, counter-clockwise to reduce) until the pressure indicated by the gauge equals the maximum pressure recommended by a trained healthcare professional. **WARNING:** Never exceed this recommended maximum vacuum pressure.
8. Perform suction procedure in full accordance with the instructions of a trained healthcare professional.
9. Turn off the power switch and unplug the unit after each use.



Install inline filter between the collection container and machine, with the word "FLUID SIDE" pointed towards the collection container.

WARNING

- Prior to first use, carefully unpack the unit and check for transportation damage. In case of damage, do not use.
- Make sure the power switch is turned off before inserting and removing the plug.
- If the machine has been operating continuously for over 30 minutes, please turn off the power and allow the machine to cool off for at least 30 minutes before turning it back on.

Cleaning, Storage, and Maintenance

1. Clean the product and all accessories thoroughly after each use. Prior to cleaning, make sure machine is turned off and unplugged.
2. Wipe machine clean with a damp cloth every few days to prevent accumulation of dust.
3. Do not clean with powder-type cleaning agents or soap. Do not clean machine in water.
4. Clean tubing after each use. Disconnect tubing from machine and clean by rinsing inside and outside of tubing with hot tap water. Air dry.
5. Wash collection container in hot tap water with dishwashing solution after each use. Air dry.
6. Keep the machine and relevant accessories dry. Avoid direct sun exposure during storage.
7. Inspect collection container and tubing for cracks or leaks before each use.
8. Change inline filter if collection container overflow occurs or every two months, whichever comes first.

WARNING

- Do not disassemble or modify machine. Maintenance should be performed by trained professional maintenance personnel only.
- This machine is an oil-less suction pump and does not require any lubrication. Do not add any lubricants to this machine.
- Do not clean machine by immersing in water. Wipe machine clean with damp cloth.
- To ensure proper hygiene and to prevent contamination and infection, each set of accessories should only be used by a single patient.

Troubleshooting

If you run into problems with the product, refer to the possible causes below to perform simple troubleshooting. If the problem cannot be solved, please contact the distributor or manufacturer.

If machine does not start:

- Check to make sure unit is plugged into mains and that the power switch is in the "on" position.
- The aspirator automatically shuts off if it overheats. Allow machine to cool for 30 minutes before resuming operation.
- If the fibrous material inside the inline filter is wet, stained, or damaged, replace the filter.

If reduced performance:

- Check that mains provides the voltage and current levels required by this device.
- Check if any tubing is blocked.
- Make sure that all tubing is securely connected and that there are no leaks.
- Replace if collection container or tubing is damaged.
- If the fibrous material inside the inline filter is wet, stained, or damaged, replace the filter.

Cliq™

www.cliqmedical.com
info@cliqmedical.com



Manufactured by:
ANEST IWATA SPARMAX Co., Ltd.
Rm 4B-02/03, Taipei World Trade Center
4th Fl. No. 5 Hsinyi Rd. Sec. 5
Taipei, Taiwan 11011