

CARE AND MAINTENANCE

- Clean water is obviously the best way to maintain a beautiful water feature. Change water frequently and use water additives. Inquire with your dealer.
- It is not recommended that fountains be left running during the night or when not at home as the water level cannot be monitored. **NEVER LET THE FOUNTAIN RUN DRY!!!** Lack of water will burn out the pump. **The rule of thumb** is that if a fountain runs continuously for eight hours you are bound to have to add more water to it.
- Concrete by nature absorbs moisture and in colder climates, this can have adverse effects on concrete. Concrete left standing in water, not properly covered or protected can during freezing temperatures pit, crumble, or in some cases even crack concrete.
- **Never allow water collected in bowls to freeze**

TROUBLESHOOTING

- **Is there enough water in the fountain?**
Many require a full water level to operate properly.
- **Is the plastic tubing kinked, blocking the water flow?**
- **Did the circuit breaker go off?**
Is there debris, leaves, mineral buildup, etc. blocking the intake to the pump?
- **Is there an "airlock" in the pump?**
Plug and unplug the pump several times to clear it or pour water into the tubing.
- **Is the propeller in the pump turning?**
Consult manufacturer's directions for servicing supplied with the pump.
- **Possible leakage?**
Check for leaks by filling the fountain without operating the pump. If you do not see water around the base, it might be splash out on a windy day or a thirsty pet!
- **Excess splash?** In some cases, water clings to lips or spillways, causing water to fall erratically. Applying a small amount of clear silicone at those points where water is designed to fall could help produce a continuous pour and reduce splash. Simply place a small amount of silicone on your finger and lightly apply by pulling down, creating an up-side-down teardrop for water to follow.

COLOR DISCLAIMER

Each item is finished and antiqued by hand in wide variety of designer colors. Al's Garden Art products are made of natural materials and color appearance may vary by degree of texture, size, shape of area and lighting. Each work of art is unique and will vary in color. Because of this Al's Garden Art can not accept any returns of products not actually matching the colored sample disc or items on display. Unless properly treated all water features experience calcium buildup. In addition, cement products contain minerals associated with efflorescence. Although our mix design contains minimal amounts of minerals associated with efflorescence, complete isolation is impossible.

FITTINGS LIST

(FOR IDENTIFICATION ONLY)



Note: The appropriate fittings required for assembly of each fountain model are included with each fountain distributed. This illustration is for identification purposes only

No.	Description	No.	Description
AG-01	TUBING, 3/8"ID 1/2"OD	AG-90S	L BRACKET, SMALL
AG-02	TUBING, 1/2"ID 3/4"OD	AG-90	L BRACKET, LARGE
AG-05	BRASS JET	AG-91	COPPER ELBOW, LARGE
AG-08	TUBING, 1"OD	AG-92	COPPER ELBOW, SMALL
AG-15	PERMA GUM	AG-93	COPPER PIPE 1/2" (4" LONG)
AG-16	WOBBLE WEDGES	AG-94	COPPER PIPE 1/2" W/VINYL
AG-20	THREADED NIPPLE 1/2"	AG-95	PVC 1/2" THREAD TO SLIP
AG-21	THREADED BARB 1/4"	AG-97	TUBING, 3/8"ID 3/4"OD
AG-22	PIPE - FEMALE HOSE	AG-99	INLINE CHECK VALVE, 3/4"
AG-23	THREAD 1/2" SLIP ELBOW	AG-100	PVC CROSS FITTING, 1"
AG-24	PVC PIPE 1/2"	AG-103	HP PUMP HOSE
AG-26	DRAIN PLUG	AG-104	PVC PIPE 1"
AG-27	T FITTING (1/2" BARB)	AG-105	PVC 1/2" SLIP TO SLIP
AG-28	Y FITTING (1/2" BARB)	AG-106	COPPER PIPE 1/2" (6" LONG)
AG-29	PAINT (PAINT/ANTIQUÉ)	AG-107	PVC REDUCER 3/4" TO 1/2"
AG-30	PAINT	AG-108	PVC 1/2" BALL VALVE
AG-31	ANTIQUÉ	AG-111	PVC 1 1/2" SLIP FITTING
AG-36	ELBOW (1/2" SLIP)	AG-112	PVC 1 1/2" PIPE
AG-38	GROMMET	AG-113	PVC 1 1/2" SLIP T
AG-41	ELBOW (1/2" BARB)	AG-114	PVC 1 1/2" SLIP/TREAD 1/2"
AG-42	THREAD 1/2" TO BARB 1/2"	AG-115	PVC 1/2" TREAD TO TREAD
AG-53	PVC 1/2" SLIP T		

For replacement parts, contact our your local Al's Garden Art retailer or locate a dealer online at alsgardenart.com

LIMITED WARRANTY

Al's Garden Art offers a one (1) year manufacturers warranty extended through its dealer network. Please visit our website (support) at www.alsgardenart.com. For warranty issues you may contact Al's Garden Art direct via e-mail at info@alsgardenart.com. Proof of purchase is required and images may determine cause.

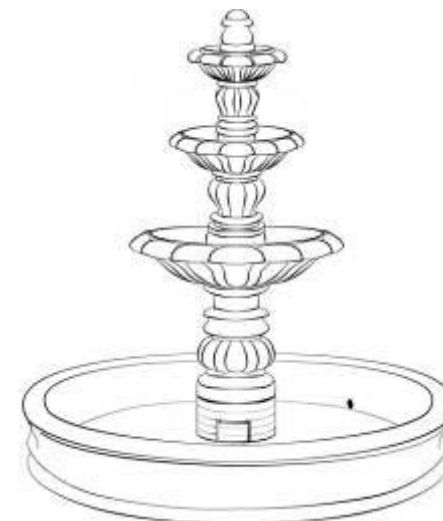
SHOP NOW

ASSEMBLY INSTRUCTIONS

BASIN STYLE FOUNTAINS

(self-contained water feature)

Models: **-FMQ, -FB, -F46**



AL'S GARDEN ART

Cast stone fountains and statuary manufactured by Fiore Stone, Inc., family owned and operated with more than half a century of skill and passion for creating top quality cast stone art.



QUALITY SET IN STONE

Fiore Stone
INCORPORATED
MANUFACTURERS OF AL'S GARDEN ART
P.O. BOX 70 COLTON, CA 92324
INFO@ALSGARDENART.COM



WARNINGS AND CAUTIONS

WARNING

• Concrete by nature absorbs moisture and in cold climates, this can have adverse effects on concrete. Concrete left standing in water, not properly covered or protected can during freezing temperatures pit, crumble, or in some cases even crack concrete.

• Never allow water collected in any fountain to freeze

• Risk of electrical shock. Pumps are supplied with a grounding conductor and grounding-type attachment plug. To reduce the risk of electric shock, be certain that it is connected only to a properly grounded, grounding-type receptacle (GFI).

Note: Pumps are sold separately as some dealers' source their own line of pumps. Inquire with your dealer if AI's Garden Art supplied the pump included.

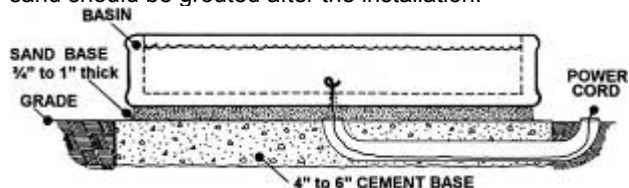
CAUTION

• **EXCESSIVE WEIGHT OR PRESSURE ON THE FOUNTAIN MAY CAUSE IT TO FALL. KEEP CHILDREN AND OTHERS FROM CLIMBING, SITTING, OR LEANING ON THE FOUNTAIN AND ITS COMPONENTS.** Most fountains have no interlocking component parts. The fountain components are held together by gravity only.

PREPARATION

Before beginning assembly, please consider the location and the landscaping around it. Debris such as leaves from nearby trees could clog the pump and dirty the water. In addition, plants should be tolerant to excess water. Placement of the fountain is the sole responsibility of the purchaser.

• All basins must be placed on a soft surface like sand or gravel. If a basin is placed on a hard surface like concrete or tile, a 1" to 1½" layer of sand must be applied over the surface. This will help with leveling by allowing the basin to settle and be completely supported, reducing the risk of possible stress fractures caused by the added weight of water and fountain components inside the basin. This sand should be grouted after the installation.



• It is recommended to place a sweep of 2" conduit or PVC underneath the basin from the center out to the edge or to the power source prior to installing the fountain. This will prevent major dismantling should the pump need to be replaced by stringing the pumps power cord through the conduit. Please consult an electrician regarding local code requirements. Most pumps supplied by AI's Garden Art come with a minimum 15-foot power cord and requires

only a 110-volt GFI receptacle for power. Inquire with your dealer regarding the pump supplied as some dealer's source pumps from other suppliers.

• Apply "Dry-pack" grout around the perimeter of the basin to prevent migration of sand outward from beneath the edge of the basin. The sand base should be ½" to ¾" recessed (inward) beneath the outside edge of the basin upon completion.

ASSEMBLY INSTRUCTIONS

1. Tilt the basin on its side, on a soft padded surface. Do not tilt basins or components during assembly directly on concrete or any hard surface that may cause damage to the product.

2. Slip pump cord (from-the-inside-out) through the 1" PVC coupling cast in the center of the basin and leave approximately 6" of cord inside. From inside the basin wrap the Grommet (AG-38) around the pump cord and press it firmly in the 1" coupling creating a watertight seal.

3. Press ½" Drain Plug (AG-26) into the ½" PVC coupling cast as a drain on the inside of the basin.

4. Should the fountain be installed without the suggested sweep (refer to "Preparation") a groove must be created in the 1½" sand/gravel layer for the pumps power cord, as it will rest beneath the basin. While still on its side, "walk" the basin in position next to the prepared area. Take note that the drain hole (3) is located to the least visible side. Gently lower and lay the basin down and level.

5. Position the pump in the center of the basin with the pumps output pointing upwards as illustrated.

6. Place pump housing over the pump and use a tape measure or guides cast in some basins to center.

7. Continue by placing the first bowl on top of the pump house/pedestal. Use shims or Wobble Wedges (AG-16) not included) to level bowls and prevent rocking.

8. Slip ⅝" Vinyl Tubing (AG-02) through the hole cast in the bowl, down through the pump house and create a hand tight connection by sliding the tubing over the ½" nipple / output of the pump.

9. Cut the remaining tubing at about 3 to 4 inches above the inside surface of the bowl and connect the ½" T Fitting (AG-27) sideways ⊥ to the tubing connected with the pump. Connect the remaining tubing with the horizontal outlet of the ½" T Fitting (AG-27).

10. Seal the hole cast in bowls or tiers, using plumbers putty (AG-15) along side the plumbing, on the inside of the bowl to prevent water from draining along side the plumbing through the center of the fountain.

11. Once sealed, place the next spacer/pump house over the T (AG-27) assembly and pull the tubing through the spacer.

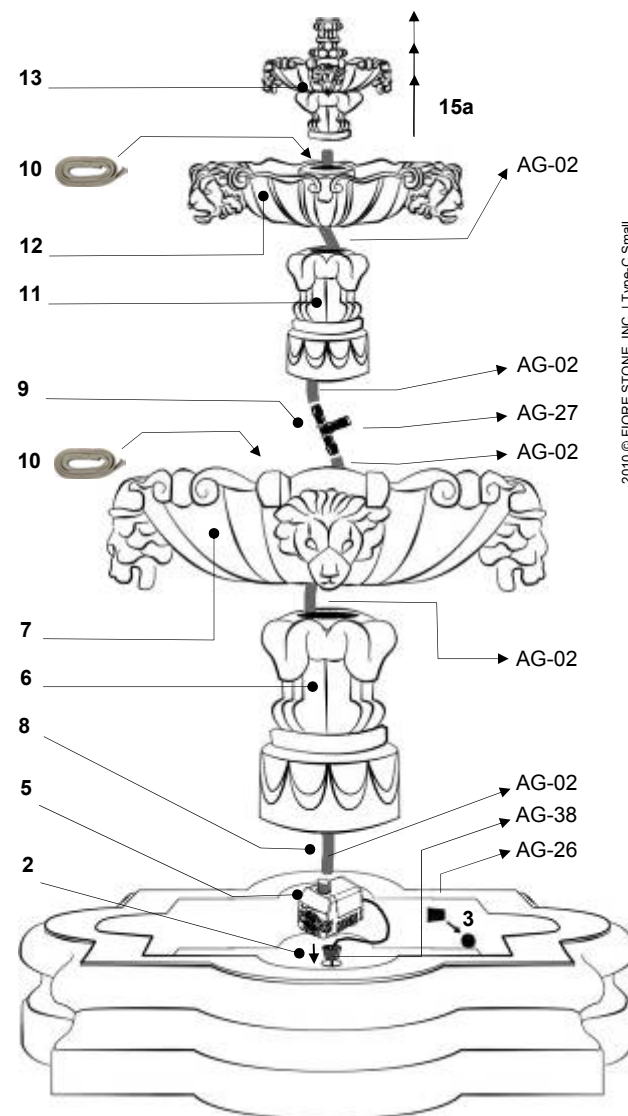
12. Place the second bowl on top of the spacer/pump house and feed tubing upwards through the center.

• Repeat step 10

13. Estimate and cut the desired length of remaining ⅝" vinyl tubing (AG-02) and make a connection with the

(top component). Some finials are cast with PVC or Copper Pipe which allows vinyl to be squeezed in or over, where others allow vinyl to be feed all the way up. In this case, AG-15 may be needed to seal the finial and flow can be reduced by cutting the tubing shorter inside the finial (15a)

14. Fill fountain with water and plug pump into a properly grounded GFI 110V receptacle. Do not attempt to operate without a proper ground. Many pump manufacturers void their warranty if the plug (or ground) is removed from the pump.



SHOP NOW

CARE AND MAINTENANCE

- Clean water is obviously the best way to maintain a beautiful water feature. Change water frequently and use water additives. Inquire with your dealer.
- It is not recommended that fountains be left running during the night or when not at home as the water level cannot be monitored. **NEVER LET THE FOUNTAIN RUN DRY!!!** Lack of water will burn out the pump. **The rule of thumb** is that if a fountain runs continuously for eight hours you are bound to have to add more water to it.
- Concrete by nature absorbs moisture and in colder climates, this can have adverse effects on concrete. Concrete left standing in water, not properly covered or protected can during freezing temperatures pit, crumble, or in some cases even crack concrete.
- **Never allow water collected in bowls to freeze**

TROUBLESHOOTING

- **Is there enough water in the fountain?**
Many require a full water level to operate properly.
- **Is the plastic tubing kinked, blocking the water flow?**
- **Did the circuit breaker go off?**
Is there debris, leaves, mineral buildup, etc. blocking the intake to the pump?
- **Is there an "airlock" in the pump?**
Plug and unplug the pump several times to clear it or pour water into the tubing.
- **Is the propeller in the pump turning?**
Consult manufacturer's directions for servicing supplied with the pump.
- **Possible leakage?**
Check for leaks by filling the fountain without operating the pump. If you do not see water around the base, it might be splash out on a windy day or a thirsty pet!
- **Excess splash?** In some cases, water clings to lips or spillways, causing water to fall erratically. Applying a small amount of clear silicone at those points where water is designed to fall could help produce a continuous pour and reduce splash. Simply place a small amount of silicone on your finger and lightly apply by pulling down, creating an up-side-down teardrop for water to follow.

COLOR DISCLAIMER

Each item is finished and antiqued by hand in wide variety of designer colors. Al's Garden Art products are made of natural materials and color appearance may vary by degree of texture, size, shape of area and lighting. Each work of art is unique and will vary in color. Because of this Al's Garden Art can not accept any returns of products not actually matching the colored sample disc or items on display. Unless properly treated all water features experience calcium buildup. In addition, cement products contain minerals associated with efflorescence. Although our mix design contains minimal amounts of minerals associated with efflorescence, complete isolation is impossible.

FITTINGS LIST

(FOR IDENTIFICATION ONLY)



Note: The appropriate fittings required for assembly of each fountain model are included with each fountain distributed. This illustration is for identification purposes only

No.	Description	No.	Description
AG-01	TUBING, 3/8"ID 1/2"OD	AG-90S	L BRACKET, SMALL
AG-02	TUBING, 1/2"ID 3/4"OD	AG-90	L BRACKET, LARGE
AG-05	BRASS JET	AG-91	COPPER ELBOW, LARGE
AG-08	TUBING, 1"OD	AG-92	COPPER ELBOW, SMALL
AG-15	PERMA GUM	AG-93	COPPER PIPE 1/2" (4" LONG)
AG-16	WOBBLE WEDGES	AG-94	COPPER PIPE 1/2" W/VINYL
AG-20	THREADED NIPPLE 1/2"	AG-95	PVC 1/2" THREAD TO SLIP
AG-21	THREADED BARB 1/4"	AG-97	TUBING, 3/8"ID 3/4"OD
AG-22	PIPE - FEMALE HOSE	AG-99	INLINE CHECK VALVE, 3/4"
AG-23	THREAD 1/2" SLIP ELBOW	AG-100	PVC CROSS FITTING, 1"
AG-24	PVC PIPE 1/2"	AG-103	HP PUMP HOSE
AG-26	DRAIN PLUG	AG-104	PVC PIPE 1"
AG-27	T FITTING (1/2" BARB)	AG-105	PVC 1/2" SLIP TO SLIP
AG-28	Y FITTING (1/2" BARB)	AG-106	COPPER PIPE 1/2" (6" LONG)
AG-29	PAINT (PAINT/ANTIQUÉ)	AG-107	PVC REDUCER 3/4" TO 1/2"
AG-30	PAINT	AG-108	PVC 1/2" BALL VALVE
AG-31	ANTIQUÉ	AG-111	PVC 1 1/2" SLIP FITTING
AG-36	ELBOW (1/2" SLIP)	AG-112	PVC 1 1/2" PIPE
AG-38	GROMMET	AG-113	PVC 1 1/2" SLIP T
AG-41	ELBOW (1/2" BARB)	AG-114	PVC 1 1/2" SLIP/TREAD 1/2"
AG-42	THREAD 1/2" TO BARB 1/2"	AG-115	PVC 1/2" TREAD TO TREAD
AG-53	PVC 1/2" SLIP T		

For replacement parts, contact our your local Al's Garden Art retailer or locate a dealer online at alsgardenart.com

LIMITED WARRANTY

Al's Garden Art offers a one (1) year manufacturers warranty extended through its dealer network. Please visit our website (support) at www.alsgardenart.com. For warranty issues you may contact Al's Garden Art direct via e-mail at info@alsgardenart.com. Proof of purchase is required and images may determine cause.

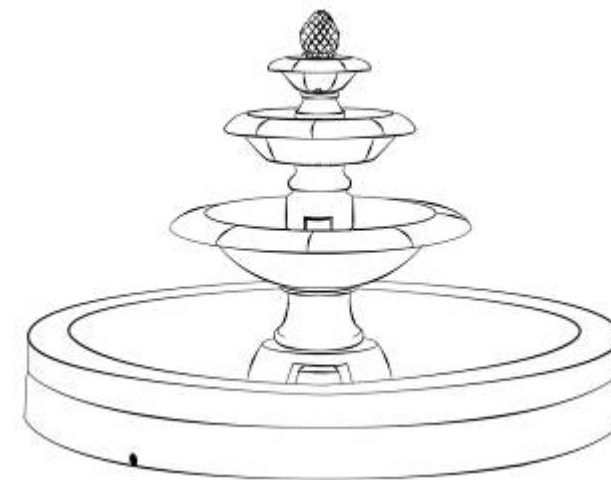
SHOP NOW

ASSEMBLY INSTRUCTIONS

BASIN STYLE FOUNTAINS

(self-contained water feature)

Models: **-F7, -FAWC, -FAW9**



AL'S GARDEN ART

Cast stone fountains and statuary manufactured by Fiore Stone, Inc., family owned and operated with more than half a century of skill and passion for creating top quality cast stone art.



QUALITY SET IN STONE

Fiore Stone
INCORPORATED
MANUFACTURERS OF AL'S GARDEN ART
P.O. BOX 70 COLTON, CA 92324
INFO@ALSGARDENART.COM



WARNINGS AND CAUTIONS

WARNING

• Concrete by nature absorbs moisture and in cold climates, this can have adverse effects on concrete. Concrete left standing in water, not properly covered or protected can during freezing temperatures pit, crumble, or in some cases even crack concrete.

• Never allow water collected in any fountain to freeze

• Risk of electrical shock. Pumps are supplied with a grounding conductor and grounding-type attachment plug. To reduce the risk of electric shock, be certain that it is connected only to a properly grounded, grounding-type receptacle (GFI).

Note: Pumps are sold separately as some dealers' source their own line of pumps. Inquire with your dealer if AI's Garden Art supplied the pump included.

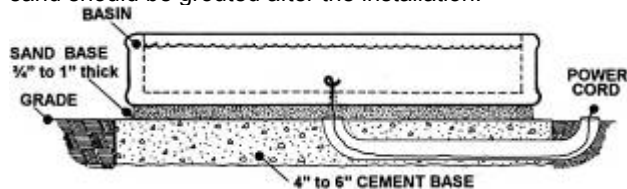
CAUTION

• **EXCESSIVE WEIGHT OR PRESSURE ON THE FOUNTAIN MAY CAUSE IT TO FALL. KEEP CHILDREN AND OTHERS FROM CLIMBING, SITTING, OR LEANING ON THE FOUNTAIN AND ITS COMPONENTS.** Most fountains have no interlocking component parts. The fountain components are held together by gravity only.

PREPARATION

Before beginning assembly, please consider the location and the landscaping around it. Debris such as leaves from nearby trees could clog the pump and dirty the water. In addition, plants should be tolerant to excess water. Placement of the fountain is the sole responsibility of the purchaser.

• All basins must be placed on a soft surface like sand or gravel. If a basin is placed on a hard surface like concrete or tile, a 1" to 1½" layer of sand must be applied over the surface. This will help with leveling by allowing the basin to settle and be completely supported, reducing the risk of possible stress fractures caused by the added weight of water and fountain components inside the basin. This sand should be grouted after the installation.



• It is recommended to place a sweep of 2" conduit or PVC underneath the basin from the center out to the edge or to the power source prior to installing the fountain. This will prevent major dismantling should the pump need to be replaced by stringing the pumps power cord through the conduit. Please consult an electrician regarding local code requirements. Most pumps supplied by AI's Garden Art come with a minimum 15-foot power cord and requires

only a 110-volt GFI receptacle for power. Inquire with your dealer regarding the pump supplied as some dealer's source pumps from other suppliers.

• Apply "Dry-pack" grout around the perimeter of the basin to prevent migration of sand outward from beneath the edge of the basin. The sand base should be ½" to ¾" recessed (inward) beneath the outside edge of the basin upon completion.

ASSEMBLY INSTRUCTIONS

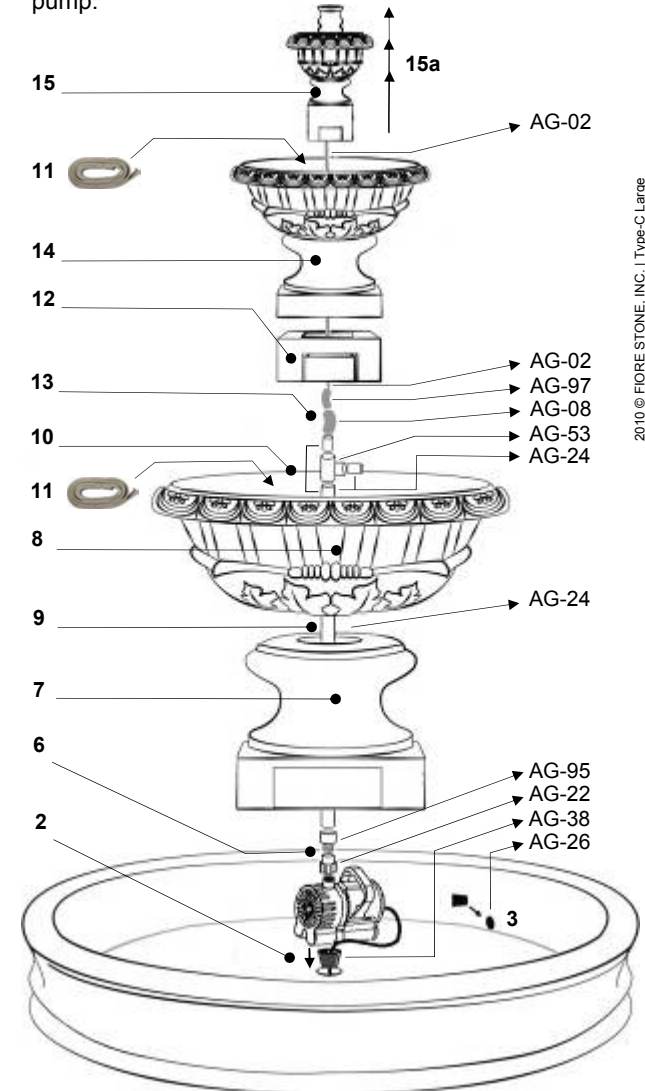
1. Tilt the basin on its side, on a soft padded surface. Do not tilt basins or components directly on concrete or any hard surface that may cause damage to the product.
2. Slip pump cord (from-the-inside-out) through the 1" PVC coupling cast in the center of the basin and leave approximately 6" of cord inside. From inside the basin wrap the Grommet (AG-38) around the pump cord and press it firmly in the 1" coupling creating a watertight seal.
3. Press ½" Drain Plug (AG-26) into the ½" PVC coupling cast as a drain on the inside of the basin.
4. Should the fountain be installed without the suggested sweep (refer to "Preparation") a groove must be created in the 1½" sand/gravel layer for the pumps power cord, as it will rest beneath the basin. While still on its side, roll and position the basin next to the prepared area. Take note that the drain hole located to the least visible side. Gently lower and lay the basin down and level.
5. Position the pump in the center of the basin with the pumps output pointing upwards as illustrated.
6. Connect Pipe to Female Hose (AG-22) and ½" PVC Thread to Slip (AG-95) with the pumps threaded output.
7. Place pump housing over the pump and use a tape measure or guides cast in some basins to center.
8. Continue by placing the first bowl on top of the pump house/pedestal. Use shims or Wobble Wedges (AG-16) not included) to level bowls and prevent rocking.
9. Slip ½" PVC Pipe (AG-24) through the hole cast in the bowl and create a hand tight connection by sliding the pipe into the AG-95 Slip coupling connected earlier with the pump. (we do not recommend using PVC glue)
10. Place the ½" PVC T (AG-53) sideways on top of the ½" PVC pipe connected with the pump. In some cases, the PVC pipe may have to be cut to fit the AG-53 assembly inside next spacer placed inside this bowl.
11. Seal the hole cast in bowls or tiers, using plumbers putty (AG-15) along side the plumbing, on the inside of the bowl to prevent water from draining along side the plumbing through the center of the fountain.
12. Once sealed, place the next spacer/pump house over the T (AG-53) assembly.
13. To reduce upwards from the PVC T (AG-53), slide one end of ⅝" vinyl tubing (AG-02) firmly into a short piece of ¾" vinyl tubing (AG-97), followed by sliding the Indian tubing into one end of 1" vinyl tubing (AG-08).

Force a short piece of ½" PVC Pipe inside the remaining end of the 1" OD (AG-08) vinyl tubing and connect with the vertical end of the ½" PVC T (AG-53).

14. Place the second bowl on top of the spacer/pump house and feed tubing upwards through the center. Repeat step 8 and 11.

15. Estimate and cut the desired length of remaining ⅝" vinyl tubing (AG-02) and make a connection with the finial (top component). Some finials are cast with PVC Pipe which allows vinyl to be squeezed in, where others allow vinyl to be feed all the way up. In this case, AG-15 may be needed to seal the finial and flow can be reduced by cutting the tubing shorter inside the finial (15a)

16. Fill fountain with water and plug pump into a properly grounded GFI 110V receptacle. Do not attempt to operate without a proper ground. Many pump manufacturers void their warranty if the plug (or ground) is removed from the pump.



SHOP NOW