

Metropolis Planters Cube & Rectangle



Shown in Alpine Stone

GFRC

Campania's GFRC, Glass Fiber Reinforced Concrete, is a Portland cement based composite material with moisture resistant glass fibers randomly dispersed throughout the material. The fibers serve as reinforcement to enhance the concrete's flexural, tensile, and impact strength. The glass fibers used are high zirconia alkali resistant. Our GFRC is manufactured using the spray up technique resulting in a wall thickness of approximately 1/2" (tolerance +/- 1/8"). The high compressive strength of our GFRC results in a frost proof, thaw proof, rust proof, and fire proof material that meets the standards for commercial use. GFRC is manufactured and imported from our partner factory in the Philippines. All recommended commercial products and CAD files can be viewed at www.campaniainternational.com.

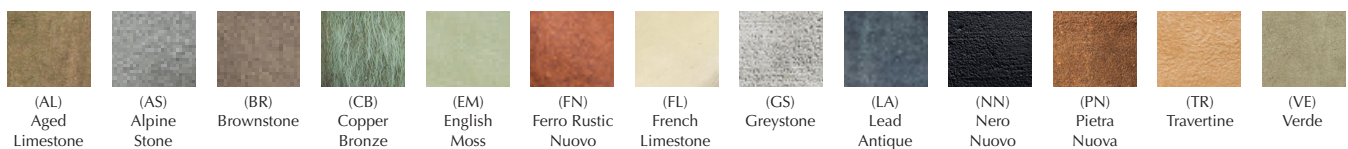
Available in a choice of thirteen (13) exclusive natural pigment stains. All of our patinas are hand applied in a multi-step process which produces unique and beautiful surface finishes. Designed to replicate the look of naturally aged materials, the patinas will not prevent the natural aging process that occurs in an outdoor environment. Rather than creating uniform stains, our approach gives our products their unique beauty and appeal.

Material	Item Description	Item #	Outside Dimensions	Inside Top Dimensions	Base Dimensions	Weight	Approx. Soil Capacity
GFRC	Metropolis Cube 3030	GFRC-0702	30"W x 30"H	25"L x 25"W	30"L x 30"W	155 lbs	16 cu ft.
GFRC	Metropolis Cube 3636	GFRC-0701	36"W x 36"H	31"L x 31"W	36"L x 36"W	195 lbs	27 cu ft.
GFRC	Metropolis Cube 4848	GFRC-0700	48"W x 48"H	43"L x 43"W	48"L x 48"W	435 lbs	64 cu ft.
GFRC	Metropolis Rectangle 361818	GFRC-0801	36"L x 18"W x 18"H	31"L x 13"W	36"L x 18"W	80 lbs	7 cu ft.
GFRC	Metropolis Rectangle 482424	GFRC-0800	48"L x 24"W x 24"H	43"L x 19"W	48"L x 24"W	145 lbs	16 cu ft.

Note: Each planter is equipped with drainage holes.

AVAILABLE COLORS

Please note: Actual colors may vary slightly from those depicted below. Color samples are available upon request. Call 215-541-4627 for more info.

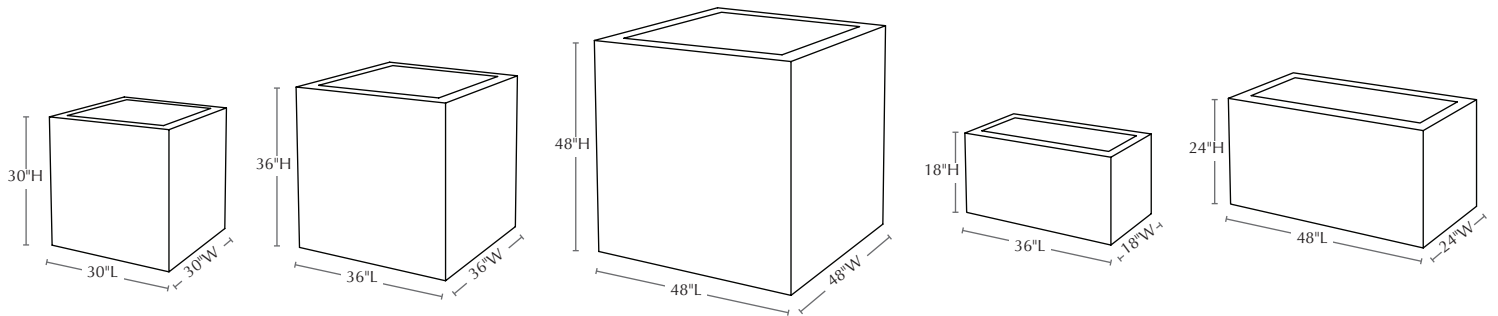


SHOP NOW

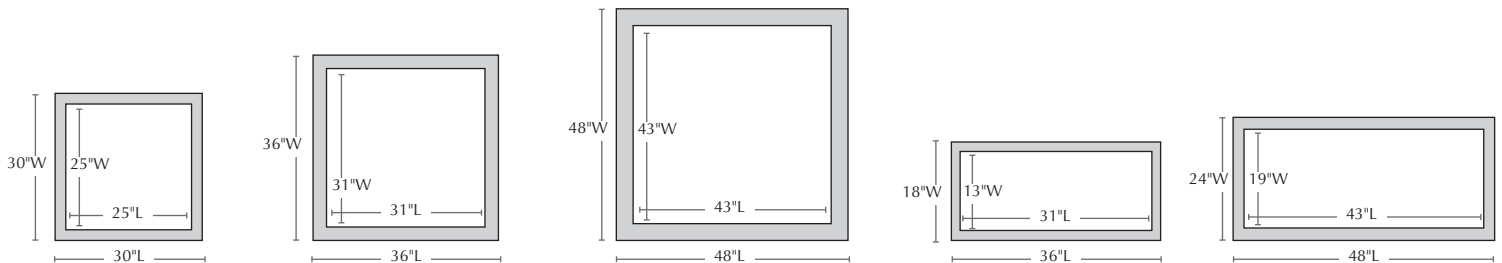
Metropolis Planters

Cube & Rectangle

Isometric View



Top View



Materials: portland cement, high zirconia alkali resistant glass fibers, water

Care & Maintenance/Outdoor Planting Instructions: Our GFRC planters are equipped with pre-installed drainage holes and raised feet to allow for drainage. The drain holes must be kept clear to maintain the longevity of your planter, especially in climates that undergo freeze thaw cycles in the winter. We recommend: Covering the drain holes with a mesh screen or equivalent to keep debris from clogging the openings; Filling the bottom of the planter with non-porous drainage material; Filling the remainder of the planter with a well-draining soil mix that will not retain water; and lastly, covering the soil with decorative mulch or pine bark to the top rim of the planter to discourage water from pooling on the surface.

Cleaning Instructions: Campania GFRC planters can be cleaned with a combination of water and mild detergent and a soft cloth, sponge, or brush. Do not pressure wash, apply corrosive cleaners or clean with anything abrasive. Note that it may take several cycles of wiping and drying before the planter is completely clean.

[SHOP NOW](#)

rev 09/18/23