

## CARE AND MAINTENANCE

- Clean water is obviously the best way to maintain a beautiful water feature. Treat water seriously with Fiore Stone Water Clarifier (AG-60). Inquire with your dealer!
- It is not recommended that fountains be left running during the night or when not at home as the water level cannot be monitored. **NEVER LET THE FOUNTAIN RUN DRY!!!** Lack of water will burn out the pump. **The rule of thumb** is that if a fountain runs continuously for eight hours you are bound to have to add more water to it.
- Concrete by nature absorbs moisture and in colder climates, this can have adverse effects on concrete. Concrete left standing in water, not properly covered or protected can during freezing temperatures pit, crumble, or in some cases even crack concrete.
- **Never allow water collected in bowls to freeze**

## TROUBLESHOOTING

- **Is there enough water in the fountain?**  
Many require a full water level to operate properly.
- **Is the plastic tubing kinked, blocking the water flow?**
- **Did the circuit breaker go off?**  
**Is there debris, leaves, mineral buildup, etc. blocking the intake to the pump?**
- **Is there an "airlock" in the pump?**  
Plug and unplug the pump several times to clear it or pour water into the tubing.
- **Is the propeller in the pump turning?**

Consult manufacturer's directions for servicing supplied with the pump.

### • Possible leakage?

Check for leaks by filling the fountain without operating the pump. If you do not see water around the base, it might be splash out on a windy day or a thirsty pet!

- **Excess splash?** In some cases, water clings to lips or spillways, causing water to fall erratically. Applying a small amount of clear silicone at those points where water is designed to fall could help produce a continuous pour and reduce splash. Simply place a small amount of silicone on your finger and lightly apply by pulling down, creating an up-side-down teardrop for water to follow.

## COLOR DISCLAIMER

Each item is finished and antiqued by hand in wide variety of designer colors. Al's Garden Art products are made of natural materials and color appearance may vary by degree of texture, size, shape of area and lighting.

Each work of art is unique and will vary in color. Because of this Fiore Stone cannot accept any returns of products not actually matching the colored sample disc or items on display. Unless properly treated all water features experience calcium buildup. In addition, cement products contain minerals associated with efflorescence. Although our mix design contains minimal amounts of minerals associated with efflorescence, complete isolation is impossible.

## FITTINGS LIST

(FOR IDENTIFICATION ONLY)



**Note:** The appropriate fittings required for assembly of each fountain model are included with each fountain distributed. This illustration is for identification purposes only

No.	Description	No.	Description
AG-01	TUBING, 3/8"ID 1/2"OD	AG-90S	L BRACKET, SMALL
AG-02	TUBING, 1/2"ID 3/4"OD	AG-90	L BRACKET, LARGE
AG-05	BRASS JET	AG-91	COPPER ELBOW, LARGE
AG-08	TUBING, 1"OD	AG-92	COPPER ELBOW, SMALL
AG-15	PERMA GUM	AG-93	COPPER PIPE 1/2" (4" LONG)
AG-16	WOBBLE WEDGES	AG-94	COPPER PIPE 1/2" W/VINYL
AG-20	THREADED NIPPLE 1/2"	AG-95	PVC 1/2" THREAD TO SLIP
AG-21	THREADED BARB 1/4"	AG-97	TUBING, 3/8"ID 3/4"OD
AG-22	PIPE - FEMALE HOSE	AG-99	INLINE CHECK VALVE, 3/4"
AG-23	THREAD 1/2" SLIP ELBOW	AG-100	PVC CROSS FITTING, 1"
AG-24	PVC PIPE 1/2"	AG-103	HP PUMP HOSE
AG-26	DRAIN PLUG	AG-104	PVC PIPE 1"
AG-27	T FITTING (1/2" BARB)	AG-105	PVC 1/2" SLIP TO SLIP
AG-28	Y FITTING (1/2" BARB)	AG-106	COPPER PIPE 1/2" (6" LONG)
AG-29	PAINT (PAINT/ANTIQUÉ)	AG-107	PVC REDUCER 3/4" TO 1/2"
AG-30	PAINT	AG-108	PVC 1/2" BALL VALVE
AG-31	ANTIQUÉ	AG-111	PVC 1 1/2" SLIP FITTING
AG-36	ELBOW (1/2" SLIP)	AG-112	PVC 1 1/2" PIPE
AG-38	GROMMET	AG-113	PVC 1 1/2" SLIP T
AG-41	ELBOW (1/2" BARB)	AG-114	PVC 1 1/2" SLIP/TREAD 1/2"
AG-42	THREAD 1/2" TO BARB 1/2"	AG-115	PVC 1/2" TREAD TO TREAD
AG-53	PVC 1/2" SLIP T		

For replacement parts, contact our your local Fiore Stone retailer or locate a dealer online at [fiorestone.com](http://fiorestone.com)

## LIMITED WARRANTY

Fiore Stone offers a one (1) year manufacturers warranty extended through its dealer network. Please visit our website (support) at [www.fiorestone.com](http://www.fiorestone.com).

For warranty issues you may contact Fiore Stone direct via e-mail at [info@fiorestone.com](mailto:info@fiorestone.com). Proof of purchase is required and images may determine cause.

**SHOP NOW**

# ASSEMBLY INSTRUCTIONS

## BASIN STYLE FOUNTAINS

(self-contained water feature)

Models: **3210, -FRB, -FRG**



## FIORE STONE, INC.

Cast stone fountains and statuary manufactured by Fiore Stone, Inc., family owned and operated with more than half a century of skill and passion for creating top quality cast stone art.



QUALITY SET IN STONE

**Fiore Stone**  
INCORPORATED  
19930 JOLORA AVE CORONA CALIFORNIA 92881  
[WWW.FIORESTONE.COM](http://WWW.FIORESTONE.COM)



## WARNINGS AND CAUTIONS

### WARNING

• Concrete by nature absorbs moisture and in cold climates, this can have adverse effects on concrete. Concrete left standing in water, not properly covered or protected can during freezing temperatures pit, crumble, or in some cases even crack concrete.

### • Never allow water collected in any fountain to freeze

• Risk of electrical shock. Pumps are supplied with a grounding conductor and grounding-type attachment plug. To reduce the risk of electric shock, be certain that it is connected only to a properly grounded, grounding-type receptacle (GFI).

Note: Pumps are sold separately as some dealers' source their own line of pumps. Inquire with your dealer if the pump supplied was sourced from Fiore Stone, Inc..

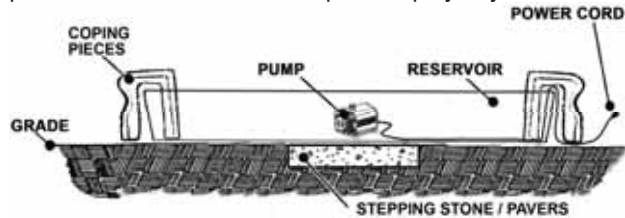
### CAUTION

• **EXCESSIVE WEIGHT OR PRESSURE ON THE FOUNTAIN MAY CAUSE IT TO FALL. KEEP CHILDREN AND OTHERS FROM CLIMBING, SITTING, OR LEANING ON THE FOUNTAIN AND ITS COMPONENTS.** Most fountains have no interlocking component parts. The fountain components are held together by gravity only.

## PREPARATION

Before beginning assembly, please consider the location and the landscaping around it. Debris such as leaves from nearby trees could clog the pump and dirty the water. In addition, plants should be tolerant to excess water. Placement of the fountain is the sole responsibility of the purchaser.

• Before placing RKB or RKG Fiore Tub included with the 3210 Fiore Pond and FRG, -FRB model fountains, prepare soft surfaces, like dirt, sand and/or gravel with stepping stones, pavers or blocks to support components placed in the center and on top of the polyethylene tub.



Please consult an electrician regarding local code requirements. Most pumps supplied by Fiore Stone come with a minimum 16-foot power cord and require only a 110-volt GFI receptacle for power. Inquire with your dealer regarding the pump supplied as some dealer's source pumps from other suppliers.

• Optional 3/4" (AG-62) and 1 1/4" (AG-63) Uniseal is available to add 3/4" PVC Slip (AG-105) and Drain Plug (AG-26) or 1 1/4" PVC Thin Wall (AG-104) to conceal wires inside fountain components.

## ASSEMBLY INSTRUCTIONS

1. Place a large stepping stone or pavers larger to the size of pump house (4) center of the intended basin location to support the weight of the fountain components placed in the center of the tub. Position and center the polyethylene tub.

2. Place the pump in the center of the tub and connect 1" Thread (AG-19) pump model DP (1 1/4" Thread (AG-144) pump model CP). Connect Hose Fitting (AG-22) with 1" Thread (AG-19) followed by 1/2" Thread to Slip (AG-95).

3. Continue by placing the Pump House (4) and center. Use shims or Wobble Wedges (AG-16) to level bowls and prevent rocking. (not included)

4. Position the pedestal (5) on top of pump house (4).

5. Carefully and with plenty of help place the largest bowl on top of the pedestal. Caution that pedestal (5) does not move during this process.

With bowl (6) level and centered on top of the pedestal (5), insert the length of 1/2" PVC Pipe (AG-24) thru the center of the large bowl (6) down thru the pedestal (5) and hand-tighten with slip portion of the 1/2" Thread to Slip (AG-95) inside the pump house (4).

6a. Use Perma Gum (AG-15) (AG-15) to create a watertight seal around the 1/2" PVC Pipe (AG-24) in the center of the large bowl (6).

6. Place the Medium Pump House (7) and Plumbed Spacer (8) over the remaining 1/2" PVC Pipe (AG-24) and mark approximately 2 or 3 inches from the bottom inside the plumbed spacer (8).

7. Cut 1/2" PVC Pipe (AG-24) to size making sure that the PVC T Assembly (AG-53) is not directly level with the copper pipes of plumbed spacer (8).

8a. Create a watertight seal around the 1/2" PVC Pipe (AG-24) with Perma Gum (AG-15) (AG-15) inside the bottom of the plumbed component (8).

8. Before the Medium Bowl (9) can be placed on top of the plumbed spacer (8), the PVC T (AG-53) Assembly should be placed on top of the 1/2" PVC Pipe (AG-24) inside the plumbed spacer (8). With PVC T (AG-53) sideways connect top and middle with two small pieces of 1/2" PVC Pipe (AG-24). Insert 5/8" Vinyl Tubing (AG-02) inside the horizontal 1/2" PVC Pipe (AG-24) and 1/2" Vinyl Tubing (AG-01) inside 5/8" Vinyl Tubing (AG-02) to reduce to 3/8" inside the plumbed component (8) [optional]

Going up, connect 1" Vinyl Tubing (AG-08), insert 3/4" Vinyl Tubing and reduce to a length of 5/8" Vinyl Tubing (AG-02).

9. With PVC T (AG-53) sideways and fully assembled, hand tightened inside the plumbed component and place the medium bowl on top of the plumbed component (8) while feeding 5/8" Vinyl Tubing (AG-02) thru the center of the bowl (9) from the bottom up.

9a. Create a watertight seal around the 5/8" Vinyl Tubing (AG-02) with Perma Gum (AG-15) (AG-15) inside medium bowl (9) and insert Barb T (AG-27) [optional]

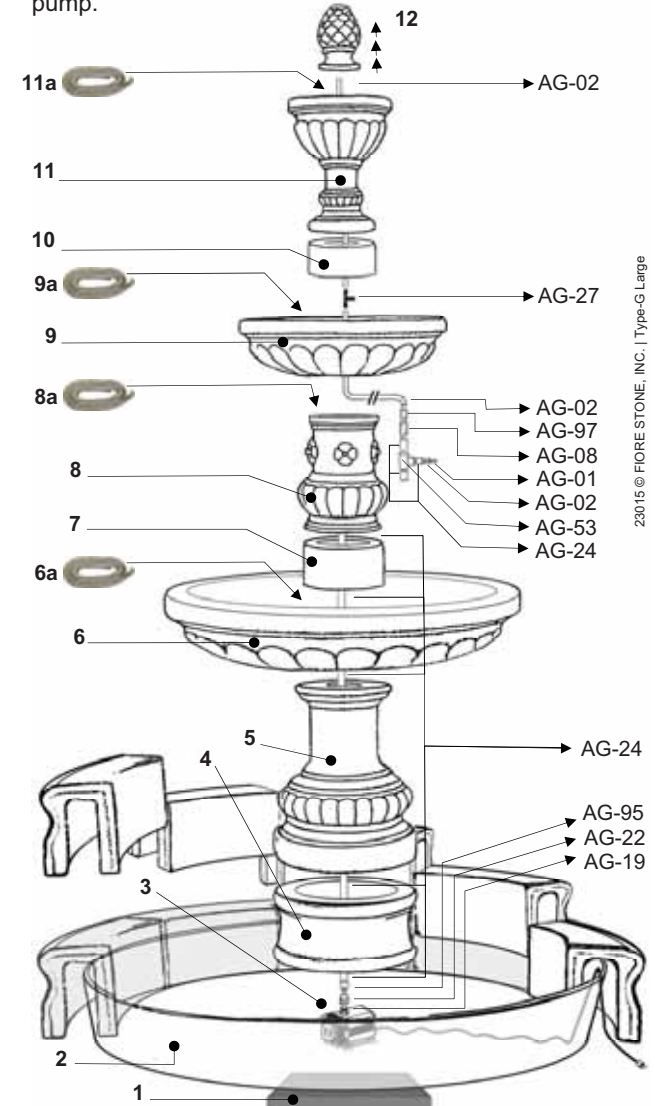
10. Place and center Small Spacer (10)

11. Place and center Top Component (11) and feed 5/8" Vinyl Tubing (AG-02) thru the center up.

11a. Create a watertight seal around the 5/8" Vinyl Tubing (AG-02) with Perma Gum (AG-15) (AG-15)

12. Estimate and cut the desired length of remaining 5/8" vinyl tubing (AG-02). Some finials are cast with PVC Pipe which allows vinyl to be squeezed in, where others allow vinyl to be feed all the way up. In this case, AG-15 may be needed to seal the finial (12) and flow can be reduced by cutting the tubing shorter inside the finial (12).

Fill fountain with water and plug pump into a properly grounded GFI 110V receptacle. Do not attempt to operate without a proper ground. Many pump manufacturers void their warranty if the plug (or ground) is removed from the pump.



**SHOP NOW**