

CARE AND MAINTENANCE

- Clean water is obviously the best way to maintain a beautiful water feature. Treat Water Seriously with Fiore Stone Water Clarifier (AG-60). Inquire with your dealer!
- It is not recommended that fountains be left running during the night or when not at home as the water level cannot be monitored. **NEVER LET THE FOUNTAIN RUN DRY!!!** Lack of water will burn out the pump. **The rule of thumb** is that if a fountain runs continuously for eight hours you are bound to have to add more water to it.
- Concrete by nature absorbs moisture and in colder climates, this can have adverse effects on concrete. Concrete left standing in water, not properly covered or protected can during freezing temperatures pit, crumble, or in some cases even crack concrete.
- **Never allow water collected in bowls to freeze**

TROUBLESHOOTING

- **Is there enough water in the fountain?** Many require a full water level to operate properly.
 - **Is the plastic tubing kinked, blocking the water flow?**
 - **Did the circuit breaker go off?**
- Is there debris, leaves, mineral buildup, etc. blocking the intake to the pump?**
- **Is there an "airlock" in the pump?** Plug and unplug the pump several times to clear it or pour water into the tubing.

- **Is the propeller in the pump turning?** Consult manufacturer's directions for servicing supplied with the pump.

• Possible leakage?

Check for leaks by filling the fountain without operating the pump. If you do not see water around the base, it might be splash out on a windy day or a thirsty pet!

- **Excess splash?** In some cases, water clings to lips or spillways, causing water to fall erratically. Applying a small amount of clear silicone at those points where water is designed to fall could help produce a continuous pour and reduce splash. Simply place a small amount of silicone on your finger and lightly apply by pulling down, creating an up-side-down teardrop for water to follow.

COLOR DISCLAIMER

Each item is finished and antiqued by hand in wide variety of designer colors. Al's Garden Art products are made of natural materials and color appearance may vary by degree of texture, size, shape of area and lighting.

Each work of art is unique and will vary in color. Because of this, Fiore Stone cannot accept any returns of products not actually matching the colored sample disc or items on display. Unless properly treated all water features experience calcium buildup. In addition, cement products contain minerals associated with efflorescence. Although our mix design contains minimal amounts of minerals associated with efflorescence, complete isolation is impossible.

FITTINGS LIST



Note: Fiore Stone supplies the appropriate fittings required for assembly of each fountain model. This illustration is for identification purposes only

No.	Description	No.	Description
AG-01	TUBING, 3/8"ID 1/2"OD	AG-90S	L BRACKET, SMALL
AG-02	TUBING, 1/2"ID 3/4"OD	AG-90	L BRACKET, LARGE
AG-05	BRASS JET	AG-91	COPPER ELBOW, LARGE
AG-08	TUBING, 1"OD	AG-92	COPPER ELBOW, SMALL
AG-15	PERMA GUM	AG-93	COPPER PIPE 1/2" (4" LONG)
AG-16	WOBBLE WEDGES	AG-94	COPPER PIPE 1/2" W/VINYL
AG-20	THREADED NIPPLE 1/2"	AG-95	PVC 1/2" THREAD TO SLIP
AG-21	THREADED BARB 1/4"	AG-97	TUBING, 3/8"ID 3/4"OD
AG-22	PIPE - FEMALE HOSE	AG-99	INLINE CHECK VALVE, 3/4"
AG-23	THREAD 1/2" SLIP ELBOW	AG-100	PVC CROSS FITTING, 1"
AG-24	PVC PIPE 1/2"	AG-103	HP PUMP HOSE
AG-26	DRAIN PLUG	AG-104	PVC PIPE 1"
AG-27	T FITTING (1/2" BARB)	AG-105	PVC 1/2" SLIP TO SLIP
AG-28	Y FITTING (1/2" BARB)	AG-106	COPPER PIPE 1/2" (6" LONG)
AG-29	PAINT (PAINT/ANTIQUÉ)	AG-107	PVC REDUCER 3/4" TO 1/2"
AG-30	PAINT	AG-108	PVC 1/2" BALL VALVE
AG-31	ANTIQUÉ	AG-111	PVC 1 1/2" SLIP FITTING
AG-36	ELBOW (1/2" SLIP)	AG-112	PVC 1 1/2" PIPE
AG-38	GROMMET	AG-113	PVC 1 1/2" SLIP T
AG-41	ELBOW (1/2" BARB)	AG-114	PVC 1 1/2" SLIP/TREAD 1/2"
AG-42	THREAD 1/2" TO BARB 1/2"	AG-115	PVC 1/2" TREAD TO TREAD
AG-53	PVC 1/2" SLIP T		

For replacement parts, contact our your local Al's Garden Art retailer or locate a dealer online at fiorestone.com

LIMITED WARRANTY

Fiore Stone offers a one (1) year manufacturers warranty extended through its dealer network. Please visit our website (support) at www.fiorestone.com.

For warranty issues you may contact Fiore Stone direct via e-mail at info@fiorestone.com. Proof of purchase is required and images may determine cause.

SHOP NOW

ASSEMBLY INSTRUCTIONS PEDESTAL STYLE FOUNTAINS (self-contained water feature) PETITE FOUNTAINS



AL'S GARDEN ART

Cast-stone fountains and statuary manufactured by Fiore Stone, Inc., family owned and operated with more than half a century of skill and passion for creating top quality cast stone art.



QUALITY SET IN STONE

Fiore Stone
INCORPORATED
MANUFACTURERS OF AL'S GARDEN ART
P.O. BOX 70 COLTON, CA 92324
INFO@FIORESTONE.COM

⚠ WARNINGS AND CAUTIONS

• Concrete by nature absorbs moisture and in cold climates, this can have adverse effects on concrete. Concrete left standing in water, not properly covered or protected can during freezing temperatures pit, crumble, or in some cases even crack concrete.

• **Never allow water collected in any fountain to freeze**
 • Risk of electrical shock. Pumps are supplied with a grounding conductor and grounding-type attachment plug. To reduce the risk of electric shock, be certain that it is connected only to a properly grounded, grounding-type receptacle (GFI).

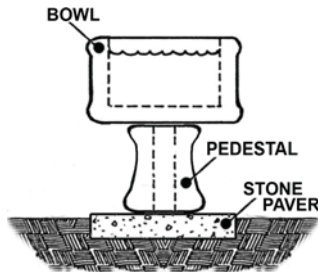
Note: Pumps are sold separately as some dealers' source their own line of pumps. Inquire with your dealer if Fiore Stone supplied the pump included.

• **EXCESSIVE WEIGHT OR PRESSURE ON THE FOUNTAIN MAY CAUSE IT TO FALL. KEEP CHILDREN AND OTHERS FROM CLIMBING, SITTING, OR LEANING ON THE FOUNTAIN AND ITS COMPONENTS.** Most fountains have no interlocking component parts. The fountain components are held together by gravity only.

PREPARATION

Before beginning assembly, please consider the location and the landscaping around it. Debris such as leaves from nearby trees could clog the pump and dirty the water. In addition, plants should be tolerant to excess water. Placement of the fountain is the sole responsibility of the purchaser.

• Pedestal type fountains like those illustrated in this assembly sheet, must be placed on a solid surface. Most pedestals are hollow to allow cords or tubing to travel through some fountain configurations. To prevent pedestals from becoming unstable we suggest a solid stone block or paver whenever a pedestal is placed on a soft surface like dirt or grass.



These assembly instructions are generic and based on the principal of re-circulation using a small submersible pump. Although the fountain drawn in Figure 1 may not appear similar in style and individual components may vary, the assembly of components, sealing of cavities and plumbing configuration is identical.

ASSEMBLY INSTRUCTIONS

Prior to assembly, please review the previous section headed "PREPARATION" regarding proper placement of pedestals. **ASSEMBLE CONCRETE COMPONENTS ON PADDED SURFACES TO PREVENT DAMAGES DURING ASSEMBLY**

- Continuing with figure 1, and the submersible light model AG-46ST (1), locate and connect the 1/2" barb nipple included with the light kit and attach the 1/2" inside diameter vinyl tubing AG-02 (2) to the light.
- String the plug (3a) thru the hole (3b) in the top of component (A) and hole (3c) in the center of the LG161-A plate piece (B) as illustrated in Figure 1 (for some models components (A) and (B) may be one piece).
- To help the smaller AG-46ST plug (3a) thru the PVC coupling (7) cast in the LG161-B component (C)(3d), it may be helpful to feed the plug (4a) of the submersible pump (4) at the same time and directly behind light plug (3a). This will help the smaller light cord and plug (3a) to be pushed thru the column of component (C).
- Pull both cords (3a) and (4a) from underneath and thru the cavity (5) at the bottom of component (C).
- With both light (3a) and pump cord (4a) inside the bowl (3d) portion of component (C), wrap the AG-38L compression grommet (6) around pump cord (4a) larger hole in center and light cord (3a) smaller hole slightly off-center of the AG-38L compression grommet (6). Leave enough slack on the light cords (1a) to lift plate component (B) with component (A) and submersible pump (4) to service the pump.
- Press grommet (6) with both cords (4a) and (3a) into the PVC coupling (7) located in the bottom of the bowl portion of component (C) to create a watertight seal.
- Apply a small amount of AG-15 perma gum (figure 2) to the tubing (8) near the light (1) and insert tubing (2) with light (1) inside component (A). The AG-15 Perma Gum will prevent water from draining down alongside the tubing thru the cavity in component (A).
- Place 3 or 4 dime size pieces of AG-15 Perma Gum (9) between component (A) and plate component (B). This will provide some adhesiveness and prevent both components from sliding easily.
- With both component (A), (B), vinyl tubing (10) and light (1) in place measure and cut the remaining vinyl tubing (10) approximately 2 1/2 to 3 inches from the bottom of the plate component (B).
- Place a padded surface (11) over the edge of the base component (C) to temporarily rest both component (A) and (B) over the pump so it can be connected with the remaining vinyl tubing (10) and collect all wires (12) to rest the entire assembly over the pump inside the center of the bowl component (C)
- Connect light plug (3a) with transformer and plug both into a properly grounded GFI 110V receptacle. Do not attempt to operate without a proper ground.
- Fill Fountain with water to 1" from the brim.

Fig. 1

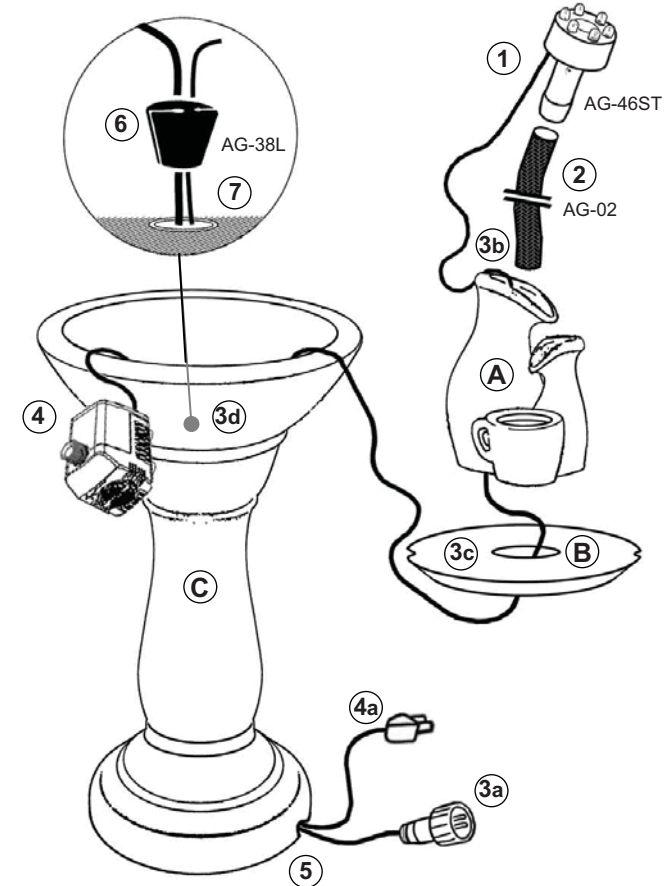
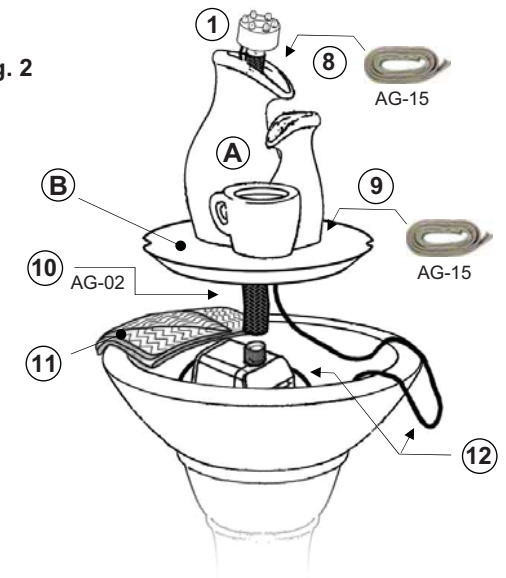


Fig. 2



SHOP NOW