

Classic Garden Bench



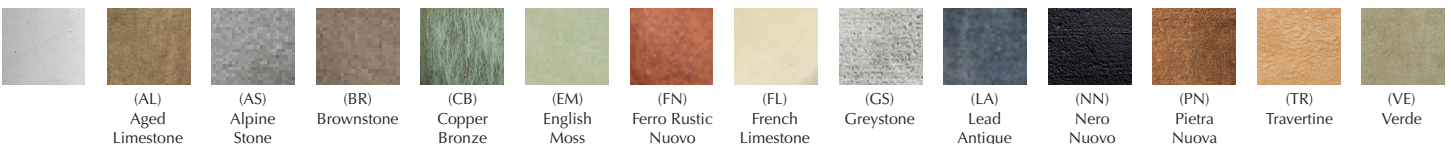
Cast Stone

Shown in Alpine Stone

Material	Item Description	Item #	Outside Dimensions	Approx. Weight
Cast Stone	Classic Garden Bench	BE-115	44.25"L x 16.5"W x 17.5"H	268 lbs

AVAILABLE COLORS

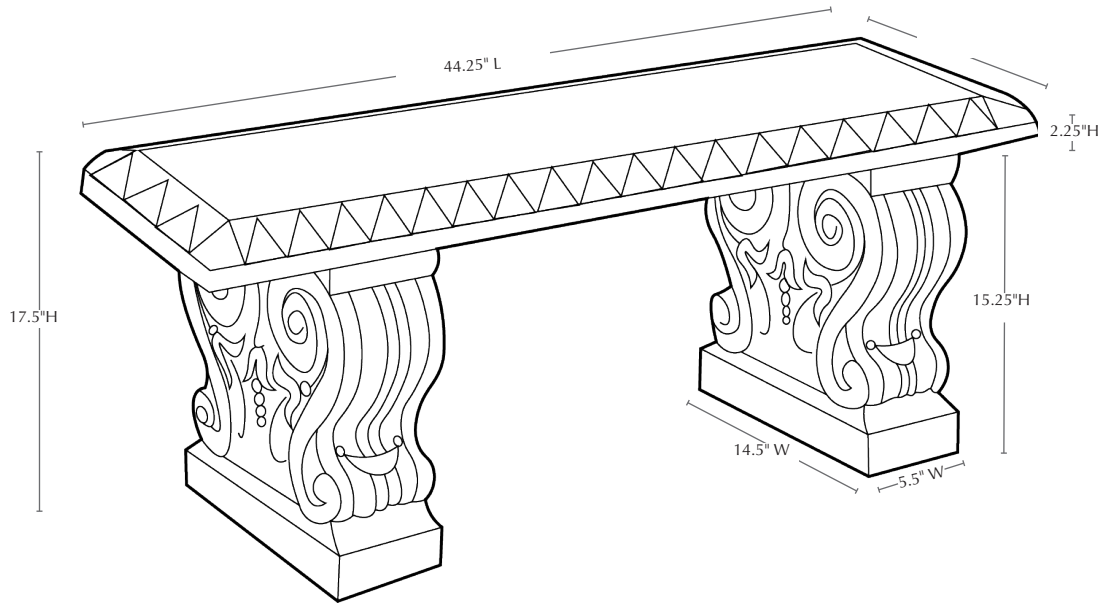
Please note: Actual colors may vary slightly from those depicted below. Color samples are available upon request. Call 215-541-4627 for more info.



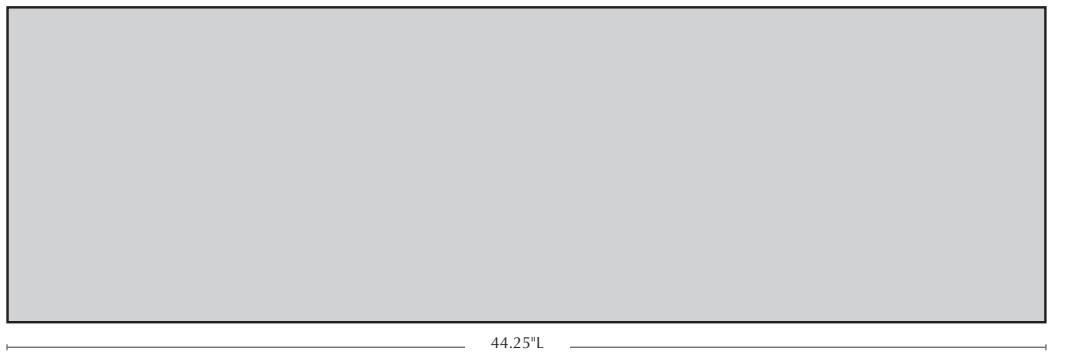
SHOP NOW

Classic Garden Bench

Isometric View



Top View



Materials: water, sand, stone aggregate and cement

Cleaning Instructions: Campania's cast stone benches can be cleaned with diluted vinegar and water or with any commercially available mild detergent. Use a soft cloth, sponge, or brush. Do not pressure wash, apply corrosive cleaners or clean with anything abrasive. Note that it may take several cycles of wiping and drying before the stepping stone is completely clean. Cast stone contains salts that may effloresce over time. You will notice a fine white powdery coating on the surface of the cast stone if the efflorescence is present in your product. If you wish to remove the salt deposits, we can recommend an appropriate an efflorescence cleaner. Contact us at 800-975-4022 for details.

[SHOP NOW](#)