

INSTRUCTION MANUAL

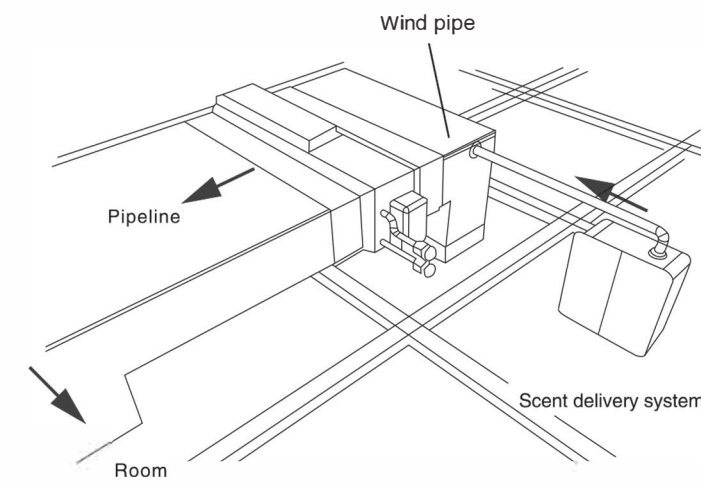
Attached: Warranty Card

Please carefully store the instructions and warranty card for further reference. Please read all instructions before using the device.

WARNING: MAY CAUSE PERSONAL INJURY OR PROPERTY DAMAGE

WARNING

1. Ensure stability of installation area.
2. Install the device in a ventilated space.
3. Do not block the sprayer when the device is working.
4. Do not spill water or conductive, corrosive liquid on or in the device.
5. Do not operate device all day. Suggested average daily usage time should not exceed 14 hours, and the third level is recommended.
6. Cut off the power in an extreme weather environment.



V. Troubleshooting

1. The PCB won't work:
 - A. PCB Damage – Replace PCB
 - B. Dead Battery – Replace Battery
 - C. Power Malfunction – Check Power Cable
2. Equipment won't work. PCB displays normally:
 - A. Pump System Broken – Replace Pump
 - B. Time Setting Error – Check Time Settings
 - C. Inner Circuit Problems – Check Inner Circuit (Multimeter)
3. Abnormal Noises:
 - A. Pump is Broken or Loose – Adjust or Change Pump
 - B. Trachea Cable Problematic – Check Cable Connection
 - C. Internal Structure Damaged – Adjust or Change parts

VII. Long-Term Non-Use

1. Power off and secure power cord.
2. Clean filter components.
3. Place the deodorant package (which contains activated carbon) in the device or package to prevent residual substances from producing foul odors.
4. Equip dust cover and place in a cool, ventilated area.

VIII. Accessories and Spare Parts

- Aroma Diffuser: 1PC
- Adapter/Recharger/USB Cable: 1PC
- Cap: 1PC
- Air Conditioning Tube: 1PC
- Key: 2PC
- Screws: (including plastic expansion tube): 2PC
- Manual: 1PC
- App Manual: 1PC
- Warranty Card: 1PC

I. Please adhere to the following basic safety precautions at all times

WARNING: MAY CAUSE ELECTRIC SHOCK OR FIRE HAZARD.

WARNING! WHEN INSTALLING:

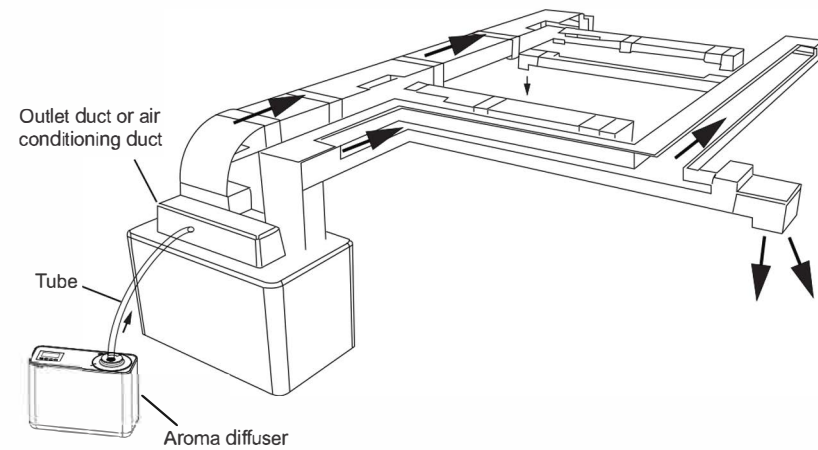
1. Do not use unsafe plug or power.
2. Do not install the device within reach of small children.
3. Do not install the device in an unstable environment that is prone to collapsing.
4. Do not tilt the device.
5. Keep the device away from fire and heat sources.
6. Except for the atomizer, the housing material is not resistant to corrosion.
7. Do not use device in a high temperature or wet environment.
8. Do not use flammable, explosive, corrosive, or other hazardous solvents around the device

II. Application

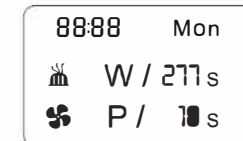
Approved Certificate: CE, FCC, RoHS, CNAS Etc.

Application Place: Hotel, 4S Car Store, Brand Shop, Bar, Public Area ETC.

III. Schematic Diagram of Connection



IV. Operation Introduction



1. The device has four buttons: "⏪" is the return button, "⏩" is the confirmation button, "⏴" is the increasing button, and "⏵" is the shift button.
2. Buttons operation: Under the normal working interface, press "⏪" and "⏩" buttons at the same time to enter the password setting interface.
3. Under the normal working interface, press "⏴" and "⏵" buttons at the same time to enter local time setting interface.
4. Under the normal working interface, press "⏵" button to enter the working time and frequency setting interface.
5. Under the normal working interface, long press "⏪" button to turn on/off the fan.
6. Under the normal working interface, long press "⏩" button to turn off the machine.

Factory Reset:

Under the normal working interface, firstly, press the "⏪" and "⏵" buttons at the same time until the interface show YES/NO, then let your hand go. Secondly, operate "⏵" to choose YES then press "⏩" button to confirm it and finish the setting

4. Machine Works. Weak or No Scent:

- A. Blocked Nozzle – Clear & Clean Nozzle
- B. Pipette Disconnects – Reconnect Pipette
- C. Aged Pump System – Change Pump
- D. Blocked Atomizer – Clean Atomizer
- E. Impurities in Oil – Replace with Pure Oil

5. Oil Leak

- A. Tilted Equipment – Straighten Machine
- B. Leaking Atomizer – Replace Atomizer

VI. Machine Maintenance

For best performance, clean equipment every 2-3 months. Be sure to power off when cleaning and do not use with wet hands or in a wet environment.

IX. After-Sales Service

1. Free technical solutions and installation guidance.
2. Free online FAQ resources and scent-marketing advice.

levonascenting.com | help@levonascent.com

LEVONA
SCENTING

X. Hanging the Machine

1. Clean the surface.
2. Peel and hang the sticker.
3. Attach the machine into sticker brackets.

LEVONA

SCENTING